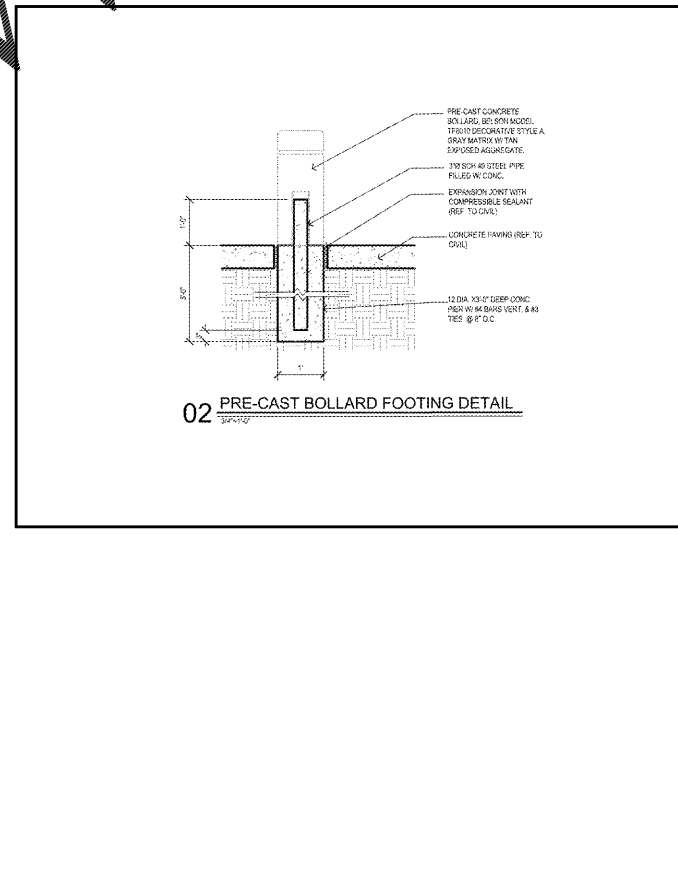
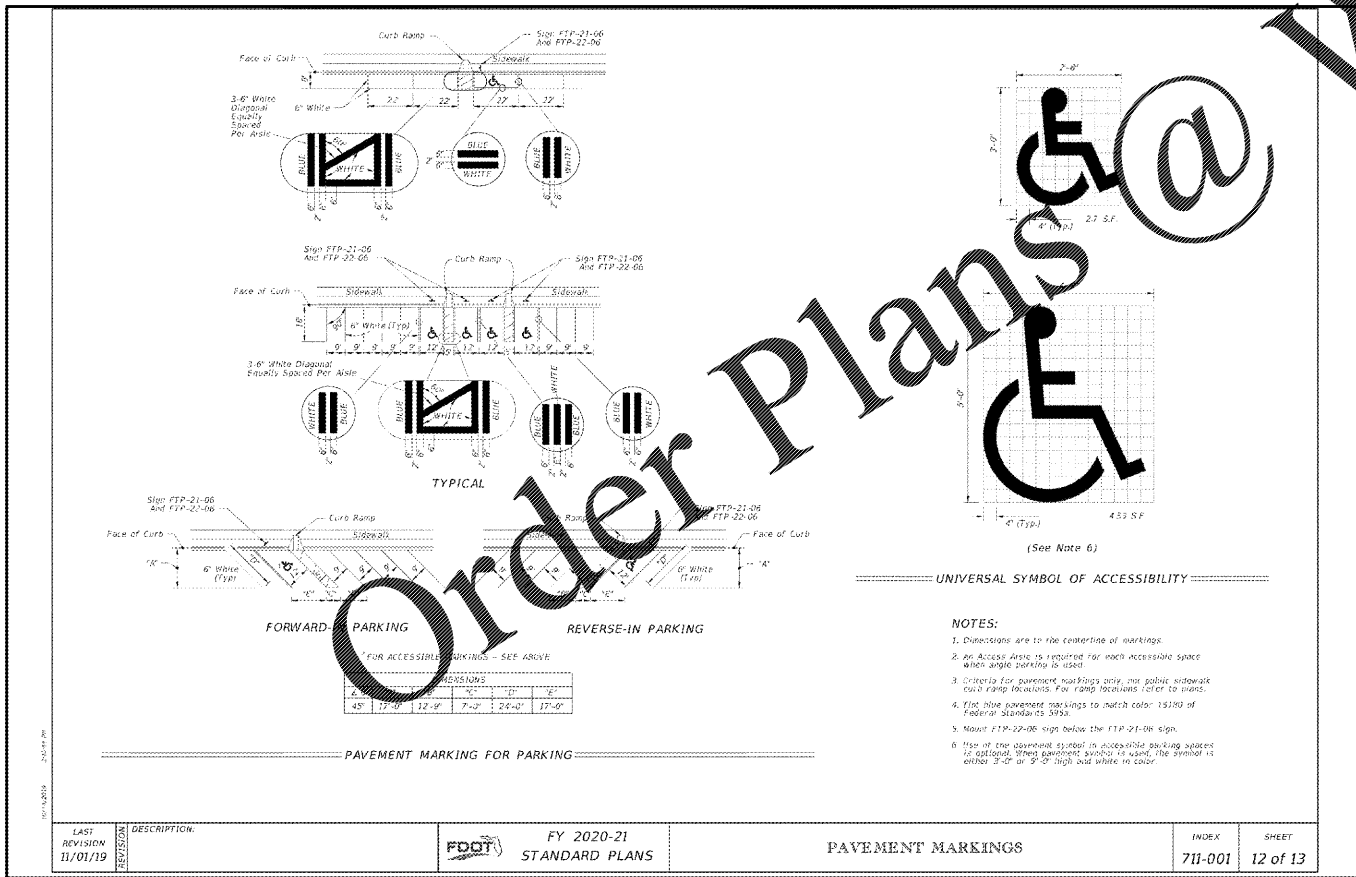
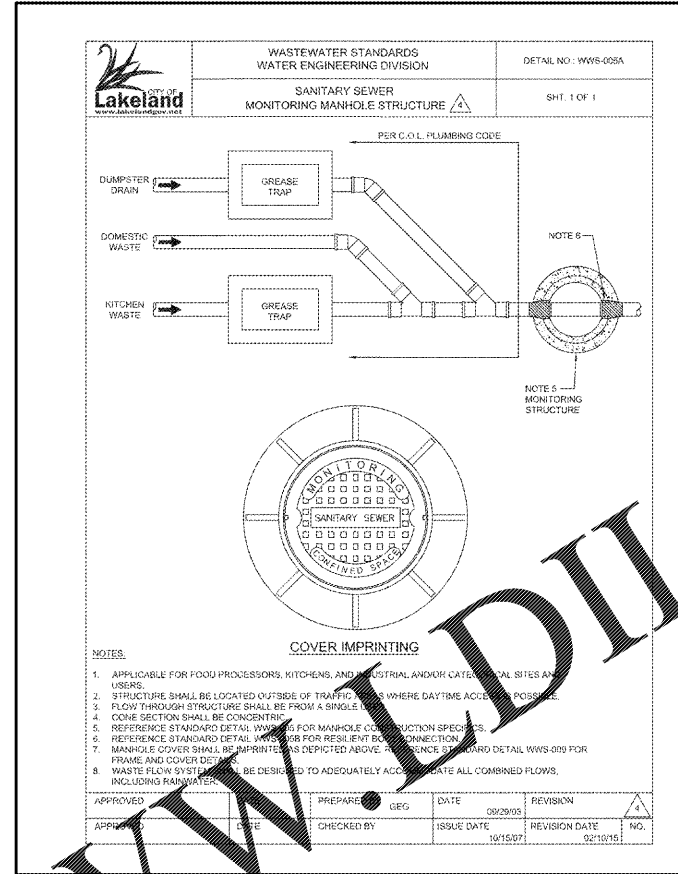
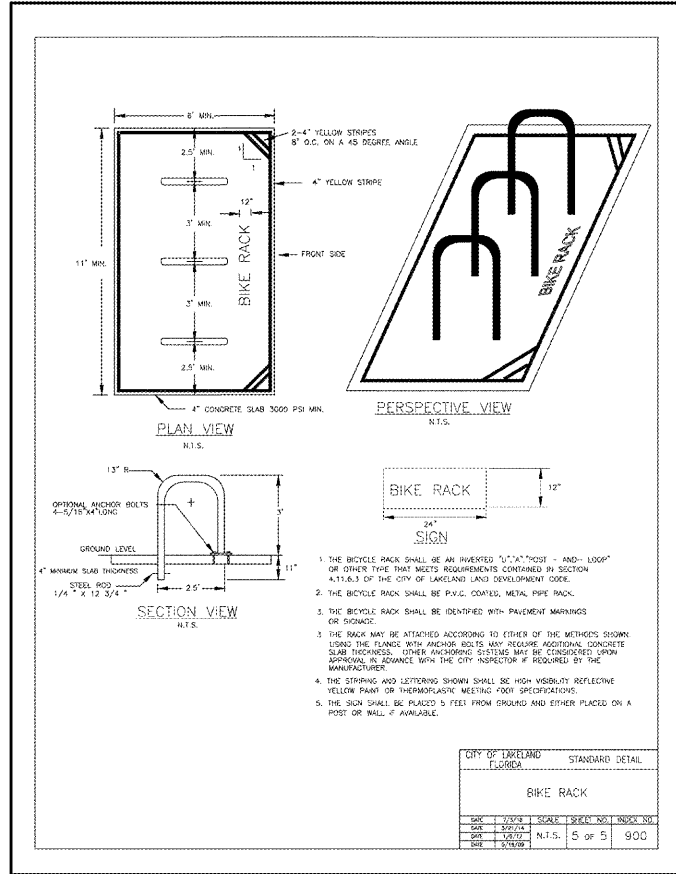
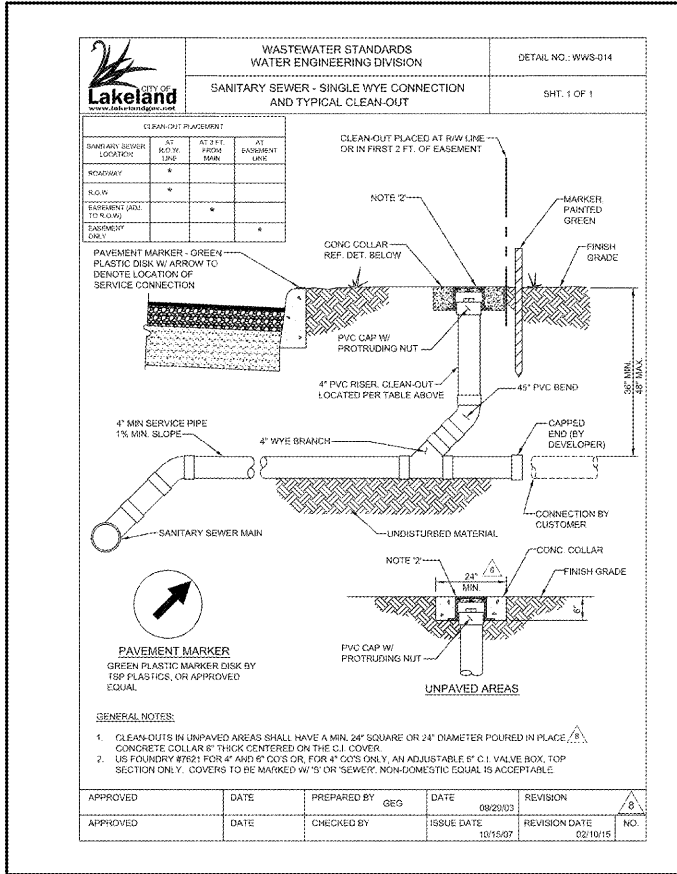


THIS DOCUMENT, TOGETHER WITH THE CONCEPTS AND DESIGNS PRESENTED HEREIN, AS AN INSTRUMENT OF SERVICE, IS INTENDED ONLY FOR THE SPECIFIC PURPOSE AND CLIENT FOR WHICH IT WAS PREPARED. REUSE OF AND IMPROPER RELIANCE ON THIS DOCUMENT WITHOUT WRITTEN AUTHORIZATION AND ADOPTION BY BOWMAN CONSULTING SHALL BE WITHOUT LIABILITY TO BOWMAN CONSULTING.



Bowman
CONSULTING

Bowman Consulting Group, Ltd.
1410 N. WESTSHORE BLVD
Suite 111
TAMPA, FL 33607
Phone: (813) 255-5434
Fax: (813) 255-7751
www.bowmanconsulting.com
© Bowman Consulting Group, Ltd.

CONSTRUCTION DETAILS
CALIBER COLLISION
2100 GRIFFIN ROAD
LAKELAND, FL 33810



NOT FOR CONSTRUCTION
OR BIDDING PURPOSES ONLY
9/28/2020

PLAN STATUS	
DATE	DESCRIPTION
PMP DESIGN	PMP DRAWN TJ
SCALE	AS SHOWN
JOB No.	010713-01-001
DATE	
SHEET	C7.3