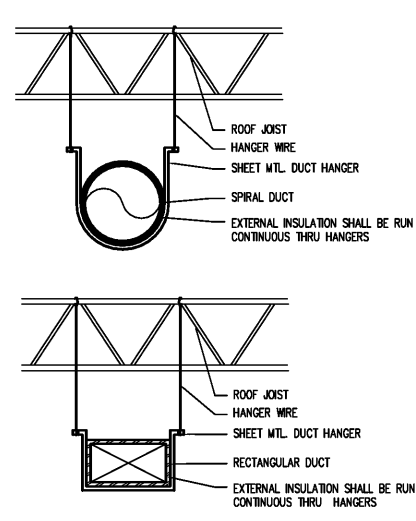
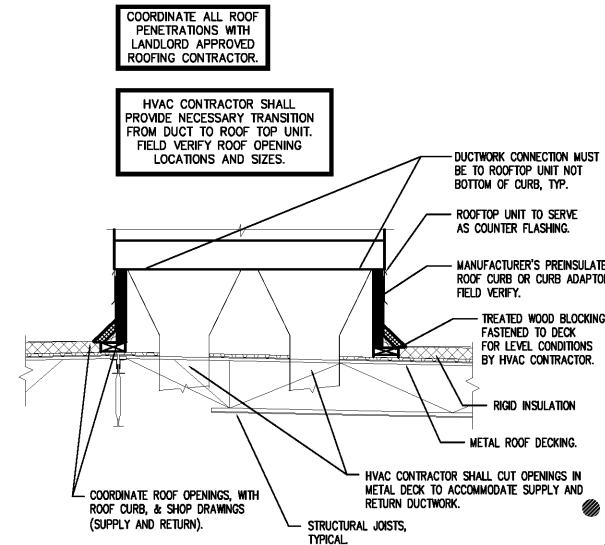


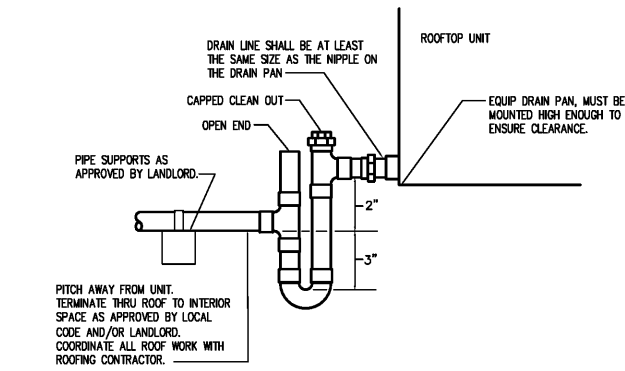
7 RTU WIND RESTRAINT DETAIL
NO SCALE



4 DUCT HANGING DETAILS
NO SCALE

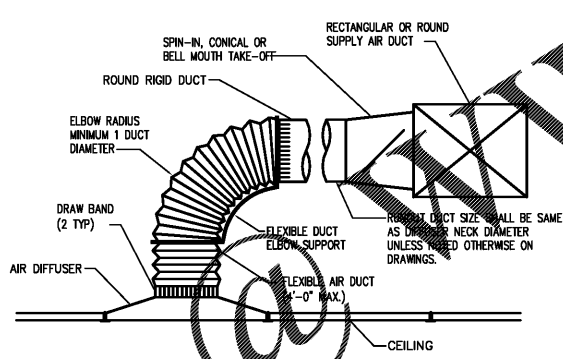


1 ROOFTOP UNIT CURB DETAIL
NO SCALE

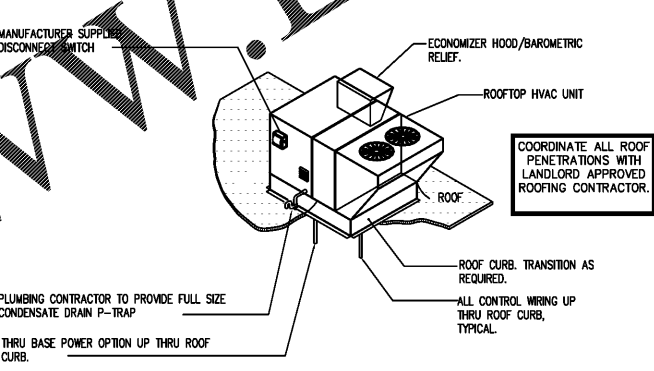


8 CONDENSATE DRAIN P-TRAP DETAIL
NO SCALE

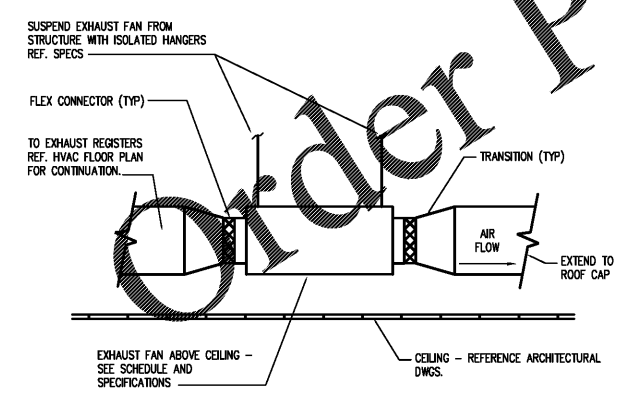
ALL FLEX DUCT MUST BE INSTALLED PER THE ADC (AIR DIFFUSION COUNCIL) INSTALLATION STANDARDS (MOST CURRENT EDITION), INCLUDING A BEND RADIUS OF ONE DUCT DIAMETER OR GREATER, PROPERLY SEALED AND SECURED WITH 2 INCH BEADED COLLARS, PROPERLY SUPPORTED AND FULLY EXTENDED DUCT. FAN CALCULATIONS FOR THIS PROJECT WERE SIZED FOR 4 FOOT MAXIMUM FLEX DUCT INSTALLED PER THE ADC INSTALLATION STANDARDS. FLEX DUCT SHOWN ON PLANS IS FOR SCHEMATIC PURPOSES ONLY AND SHALL IN NO INSTANCE EXCEED 4 FOOT.



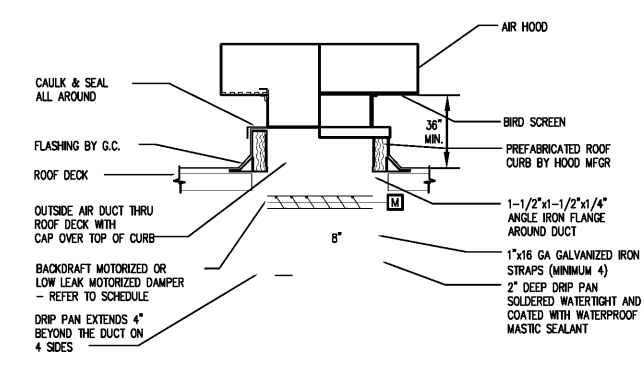
5 DUCT TO DIFFUSER DETAIL
NO SCALE



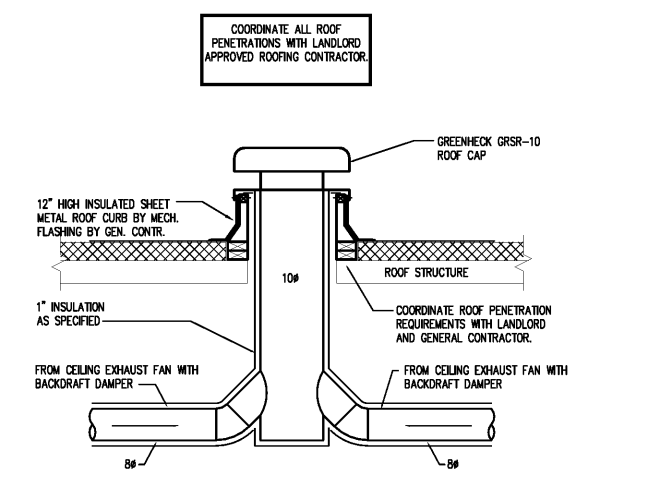
2 ROOFTOP UNIT PIPING DETAIL
NO SCALE



9 INLINE EXHAUST FAN DETAIL
NO SCALE



6 ROOFTOP INTAKE HOOD DETAIL
NO SCALE



3 ROOF EXHAUST CAP DETAIL
NONE

PROTOTYPE TEMPLATE
NORTHLAKE
 v.2020.1.08.TKD

PROJECT INFORMATION:

TIRE KINGDOM.
 STORE # 945
 10520 COLONIAL BLVD
 FT MEYERS, LEE COUNTY, FLORIDA

95% REVIEW SET
 18 AUGUST 2020

PROJECT NO.: 2020-0095
 DRAWN BY:
 CHECKED BY:

ISSUE DATE
 PERMIT PLAN REVIEW 11-AUG-2020

REVISION DATE

SHEET TITLE:
 MECHANICAL DETAILS

SHEET NUMBER:

M-3