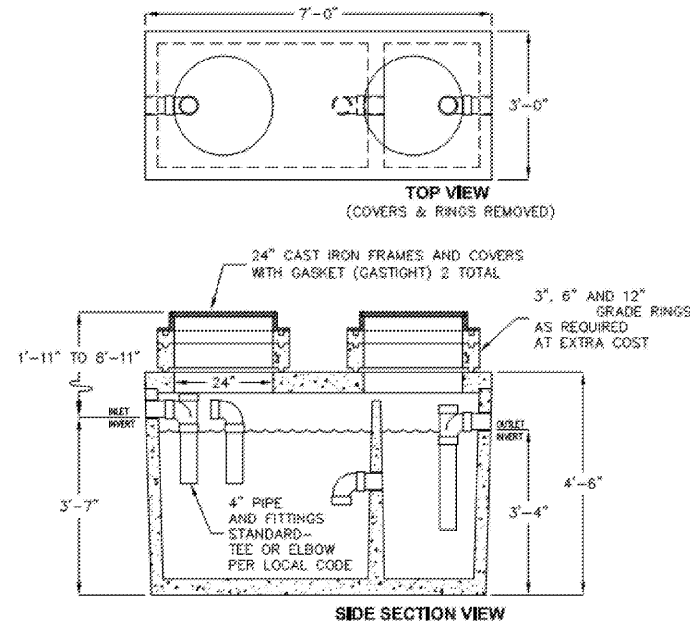


## 320 GALLON SAND-OIL INTERCEPTOR



OPERATING CAPACITY: 320 GALLONS.

DESIGN LOAD: H-20 TRAFFIC WITH DRY SOIL CONDITIONS (WATER LEVEL BELOW TANK) AND 1'-8" EARTH COVER.

BEDDING NOTE: SUITABLE SUB-BASE BEDDED WITH GRANULAR MATERIAL SHALL BE PREPARED TO HANDLE ANTICIPATED LOADS.

MINIMUM EXCAVATION  
 4'-0" x 8'-0"  
 x REQ'D DEPTH

GARAGE AREA: 3557 SQFT  
 REQUIRED SEPARATOR SIZE IS 6 CUBIC FT FOR FIRST 100 SQFT PLUS 1 CUBIC FT PER ADDITIONAL 100 SQFT OF SPACE.  
 6 FT<sup>3</sup> + (2400/100) FT<sup>3</sup> = 30 FT<sup>3</sup> OF VOLUME REQUIRED  
 1 FT<sup>3</sup> = 7.5 GALLONS  
 41 FT<sup>3</sup> = 304 GALLONS OF VOLUME REQUIRED  
 \*CONSULT LOCAL AUTHORITIES FOR MINIMUM SIZE OF SEPARATORS

**NOTE:**

- WHEN METAL ENCLOSURE IS USED, PROTECT ALL METAL SURFACES INSIDE AND OUTSIDE WITH AN APPROVED CHEMICALLY RESISTANT SEALER.
- UNIT VOLUME SHALL NOT BE LESS THAN 41 CU.FT. HOLDING CAPACITY.

CONTRACTOR TO INSTALL OIL SEPARATOR PER LOCAL MUNICIPALITY CODE REQUIREMENTS AND PER MANUFACTURERS INSTRUCTIONS.

CONTRACTOR TO SPECIFY OIL SEPARATOR TO MEET LOCAL MUNICIPALITY CODE REQUIREMENTS, COORDINATE WITH ARCHITECTURAL.

DIVISION 15400 - PLUMBING

SECTION 15401 - SUMMARY OF WORK

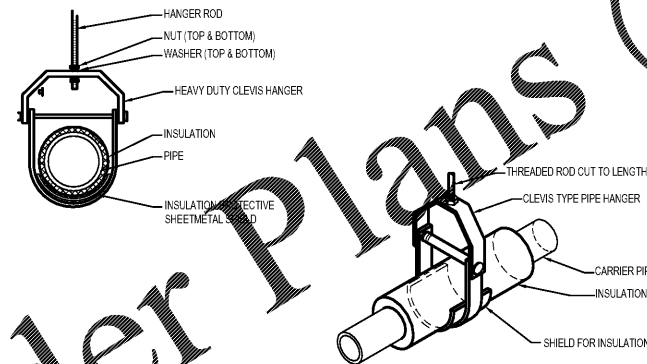
A. THIS CONTRACTOR SHALL FURNISH, INSTALL AND TEST ALL NECESSARY MATERIAL FOR A COMPLETE OPERATING PLUMBING SYSTEM. IT IS THE RESPONSIBILITY OF THE CONTRACTOR TO DETERMINE THE LOCATION OF THE EXISTING WATER VENT AND DRAIN LINES TO MAKE CONNECTIONS IN ORDER TO COMPLETE THE WORK AS SHOWN ON THE PLANS. ALL MATERIAL SHALL BE NEW AND SHALL BE INSTALLED FOR PROPER ACCESS FOR SERVICING. ANY ACCESS PANELS NECESSARY FOR SERVICING EQUIPMENT SHALL BE FURNISHED AND INSTALLED BY THIS CONTRACTOR.

SECTION 15402 - MATERIALS

- A. THE PLUMBING FIXTURE SCHEDULE IS SHOWN ON PLANS. ALL EQUIPMENT SHALL BE INSTALLED ACCORDING TO THE MANUFACTURERS INSTALLATION INSTRUCTIONS.
- B. SANITARY WASTE AND VENT PIPING
- ALL WASTE, VENT AND DRAIN PIPING SHALL BE SERVICE WEIGHT CAST IRON OR SCHEDULE 40 PVC AS ALLOWED BY LOCAL CODE. ALL PIPING LOCATED IN A PLENUM CEILING SHALL BE CAST IRON WITH NO-HUB FITTINGS.
  - CONDENSATE PIPING FROM RTU'S SHALL BE TYPE "L" HARD DRAWN COPPER TUBE. INSULATE CONDENSATE PIPING INSIDE THE BUILDING WITH 1" INSULATION WRAP AND AS/J COVERING.
- C. POTABLE WATER PIPING
- ALL UNDERSLAB DOMESTIC WATER PIPING SHALL BE TYPE "K" COPPER PIPING WITH NO JOINTS BELOW SLAB.
  - ALL ABOVE GRADE DOMESTIC WATER PIPING SHALL BE TYPE "L" HARD DRAWN COPPER TUBE WITH SWEAT JOINTS. ALL PIPING CONNECTIONS WITH DISSIMILAR METALS SHALL HAVE DIELECTRIC COUPLERS.
- D. INSULATE ALL HOT WATER, COLD WATER AND INFEEDOR CONDENSATE PIPING WITH 1" THICK (K=0.23 @ 75 F) PIPE INSULATION. ALL SERVICE JACKET TO MEET LOCAL CODE R-RATINGS AND FLAME SPREAD AND SMOKE DEVELOPED RATINGS. OUMENS-CORNING OR EQUAL.
- E. TRUEBRO MODEL 102W WHITE INSULATION KIT SHALL BE INSTALLED ON ALL TRAPS AND SUPPLY LINES BELOW LAVATORIES TO MEET ALL LOCAL CODES.
- F. THE CONTRACTOR SHALL PROVIDE BALL VALVES IN THE SUPPLY PIPING TO EVERY FIXTURE FOR SERVICING. CONTRACTOR SHALL FURNISH AND INSTALL ACCESS PANELS WHERE NECESSARY FOR COPPER SERVICING.
- G. MAXIMUM DIAMETER OF PIPING OF 1/2" TYPE COPPER AND STEEL PIPING. PVC PIPING SHALL BE SUPPORTED AT INTERVALS ACCORDING TO CODE. CONTRACTOR SHALL PROVIDE NECESSARY SEISMIC BRACING WHERE REQUIRED BY LOCAL CODES AND LOCAL AUTHORITIES.
- H. THE CONTRACTOR SHALL SEPARATE NEW AND EXISTING WATER SYSTEM AS REQUIRED BY LOCAL CODES. CONTRACTOR SHALL INSTALL ANY ADDITIONAL SERVICE VALVES NEEDED IN ORDER TO ISOLATE SYSTEM FOR STERILIZING THE WATER SYSTEM.
- I. CONTRACTOR SHALL PROVIDE CHROME PLATED ESCUTCHEONS AT ALL EXPOSED PIPE PENETRATIONS IN FINISHED SPACES.
- J. FLOOR DRAINS WITH DEEP SEAL TRAPS REQUIRED. INSTALL TRAP PRIMERS IN ALL FLOOR DRAINS WHERE REQUIRED BY LOCAL AUTHORITY AND LOCAL CODES. LOCATE CLEAN-OUTS IN WALLS AND FLOORS AS REQUIRED TO MEET LOCAL CODES.
- K. CONTRACTOR SHALL PERFORM ALL PIPING PRESSURE/LEAK TESTS AS REQUIRED BY LOCAL CODES. ALL ROOF FLASHING SHALL BE SEALED WATERTIGHT.
- L. ANY ROOF WORK MUST BE DONE BY THE ROOFING CONTRACTOR IN ORDER TO MAINTAIN THE ROOF WARRANTY. ALL COSTS FOR ROOF WORK MUST BE INCLUDED IN THE BID.
- M. CONTRACTOR SHALL FURNISH AND INSTALL WATER METER AND REMOTE READER AS REQUIRED BY LOCAL UTILITIES REQUIREMENTS.
- N. SIOUX CHIEF 650 SERIES ALL STAINLESS STEEL OR J.R. SMITH HYDROTROLS SHOCK ABSORBERS SHALL BE INSTALLED IN BOTH HOT AND COLD LINES OF PIPING SYSTEM TO PREVENT NOISE AND DAMAGE DUE TO WATER HAMMER. SHOCK ABSORBERS SHALL BE INSTALLED ACCORDING TO THE MANUFACTURERS INSTALLATION INSTRUCTIONS.

### 3 OIL SEPERATOR DETAIL

NO SCALE



### PIPE HANGER DETAIL

NO SCALE

Order Plans @ www.lordkingdom.com

PROTOTYPE TEMPLATE:  
**NORTHLAKE**  
 v.2020.1.08.TKD

PROJECT INFORMATION:

**WHEEL TIRE KINGDOM.**  
 STORE # 945  
 10520 COLONIAL BLVD  
 FT MEYERS, LEE COUNTY, FLORIDA

95% REVIEW SET  
 18 AUGUST 2020  
 CHARLETT R. CASE P.E.

PROJECT NO.: 2020-0095  
 DRAWN BY:  
 CHECKED BY:

ISSUE DATE  
 PERMIT PLAN REVIEW 11-AUG-2020

REVISION DATE

SHEET TITLE:  
 PLUMBING  
 SPECIFICATIONS & SAND OIL  
 SEPARATION INFORMATION

SHEET NUMBER: