

UNIT	DESCRIPTION	LOCAL CONNECTIONS				MOUNTING HEIGHT (IN)	NOTES
		WASTE (IN)	VENT (IN)	CW (IN)	HW (IN)		
P-1	AMERICAN STANDARD #2998 012 - PLUSH TANK WATER CLOSET WITH CHURCH #8600C - WHITE, OPEN FRONT SEAT.	4"	2"	1/2"	-	FLOOR	1,2,3,6
P-2	AMERICAN STANDARD #0356 421 - LAVATORY WITH AMERICAN STANDARD #1340 109 - METERING FAUCET WITH 0.17 GALLONS PER 10 SECOND CYCLE	2"	1/2"	1/2"	1/2"	36"	1,4,5
P-3	WASH STATION, REFER TO ARCHITECTURAL PLAN FOR MAKE. CONTRACTOR SHALL INSTALL PER MANUFACTURERS INSTALLATION MANUAL.	2"	1/2"	1/2"	1/2"	NOTE 2	1,2,3
P-4	VERGE® WASH BASIN - LVL-SERIES-BRADLEY RDCG ELECTRONIC FAUCET-BRADLEY	2"	1/2"	1/2"	1/2"		
P-5	WOODFORD B65 - RECESSED BOX AND LOCABLE DOOR, ASSE STANDARD 1019-B APPROVED. ANTI-SIPHON VACUUM BREAKER, 3/4" MALE HOSE THREAD.	-	-	3/4"	-	36"	4
P-6	ZURN MODEL ZN415B-V, ROUND FLOOR DRAIN WITH CAST IRON BODY, BOTTOM OUTLET, BACKWATER VALVE, POLISHED NICKEL BRONZE GRATE	3" - 4"	2"	-	-	FLOOR	
P-7	HAWS 7261-7271 - PEDESTAL EYEWASH STATION WITH PADDLE HANDLE ACTIVATION. PROVIDE HAWS #9102 - DUST COVER	2"	2"	3/4"	-		
P-8	DASIS #PGV9ACSL - BI-LEVEL ELECTRIC WATER COOLER.	2"	1/2"	1/2"	-	36"	1,4
TD	ZURN MODEL Z-886-HD-DGE - 6" WIDE TRENCH DRAIN, 80" X 6-1/4" SECTIONS, CHANNELS MADE OF HIGH DENSITY POLYETHYLENE, DUCTILE IRON GRATING	4"	2"	-	-	FLOOR	
CB	ZURN MODEL Z-887-HD-DGE-Y - 6" WIDE CATCH BASIN, 20" X 6-1/4" SECTION, MADE OF HIGH DENSITY POLYETHYLENE, DUCTILE IRON GRATING	4"	2"	-	-	SUB-FLOOR	
WHA	WILKINS MODEL 1250 - WATER HAMMER ARRESTOR PROVIDED AS DETERMINED BY SITE CONDITIONS. TO QUICK CLOSING FIXTURES.	-	-	-	-	-	-
FCO	ZURN MODEL Z-1400 - ADJUSTABLE FLOOR CLEANOUT, CAST IRON BODY WITH GAS AND WATERTIGHT ABS TAPERED THREAD PLUG AND ROUND DURA-COATED CAST IRON TOP.	4"	-	-	-	FLOOR	
WCO	ZURN MODEL ZN-1447-BP - CAST IRON CLEANOUT TEE WITH 9"x9" SS ACCESS COVER & GAS TIGHT BRONZE PLUG	4"	-	-	-	24"	6
TP	JOSAM #88250 - TRAP PRIMER VALVE WITH INTEGRAL VACUUM BREAKER, MOUNT ABOVE CEILING IN ACCESSIBLE LOCATION. COORDINATE WITH AHJ PRIOR TO INSTALL.	-	-	1/2"	-	ABOVE CEILING	4

NOTES:
 1. ADA APPROVED.
 2. SIDE TRIP LEVER SHALL BE LOCATED ON THE OPEN SIDE OF THE TOILET AWAY FROM THE WALL IN COMPLIANCE WITH ADA STANDARDS. (MODEL #2002.014 FOR LEFT SIDE TRIP LEVER, #2002.804 FOR RIGHT SIDE)
 3. CAULK FIXTURE TO FLOOR WITH CLEAR SILICONE.
 4. COORDINATE MOUNTING HEIGHT WITH ARCHITECT.
 5. TIGHT FITTING TRAP AND SUPPLY PIPE WRAP - PLUMBEREX PRO EXTREME OR EQUAL.
 6. PROVIDE 4" WALL CLEANOUT OFF WASTE BRANCH SERVING WATER CLOSET.
 7. PROVIDE HANDLE WITH COLOR CODED INDICATOR FOR HOT AND COLD WATER.

WATER HEATER - TANKLESS ELECTRIC SCHEDULE											
UNIT	MANUFACTURER	MODEL	EWT (°F)	LWT (°F)	MIN. ACTIVATION (GPM)	DELIVERY (GPM)	EFFICIENCY	ELEC DATA			NOTES
								KW	VOLT	AMPS	
WH-1	EEMAX	EX240T2T	62	110	0.70	4.20	99.80%	24	208	67	1,2

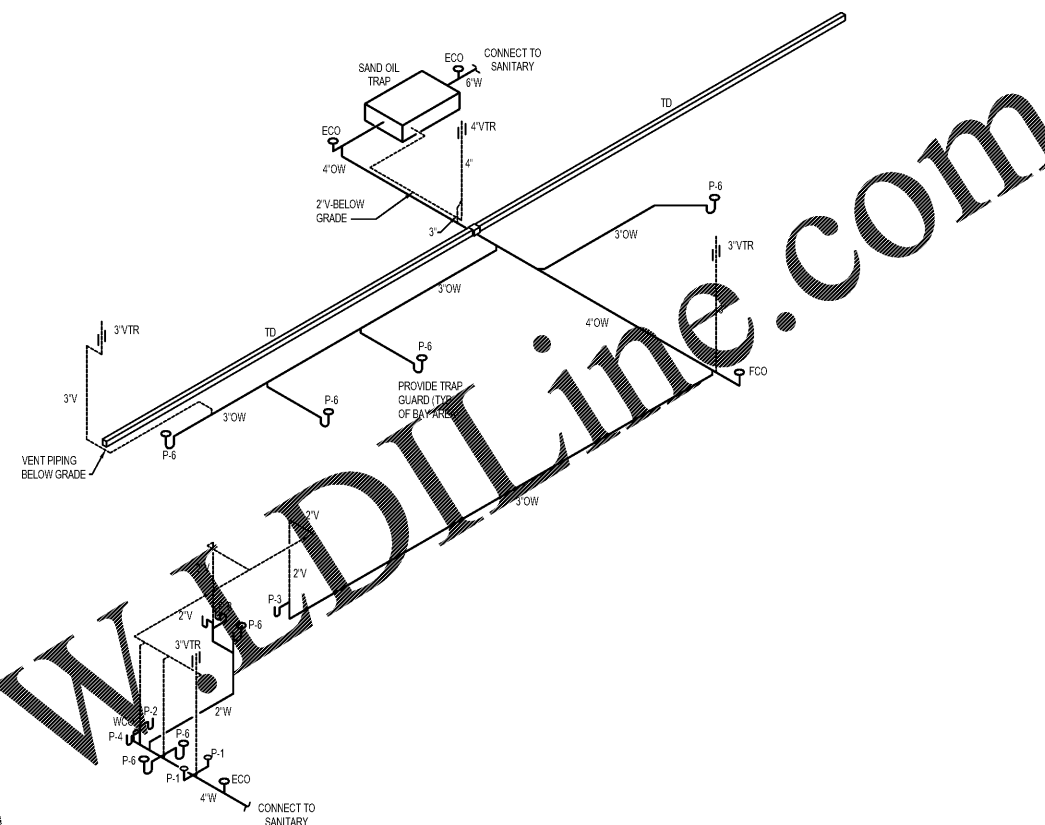
NOTES:
 1. PROVIDE APPROVED PRESSURE RELIEF VALVE AND EXPANSION TANK IF REQUIRED BY CODE.
 2. PLUMBING CONTRACTOR TO ENSURE ALL FAUCETS DOWNSTREAM HAVE LARGER GPM RATE THAN 'MIN. ACTIVATION (GPM)' COLUMN ABOVE.

REDUCED PRESSURE BACKFLOW PREVENTER SCHEDULE						
DESIGNATION	MANUFACTURER	MODEL	QUANTITY	SERVING	SIZE	NOTES
RBP-1	WATTS	LF909M1	1	DOMESTIC WATER	SEE RISER	ALL

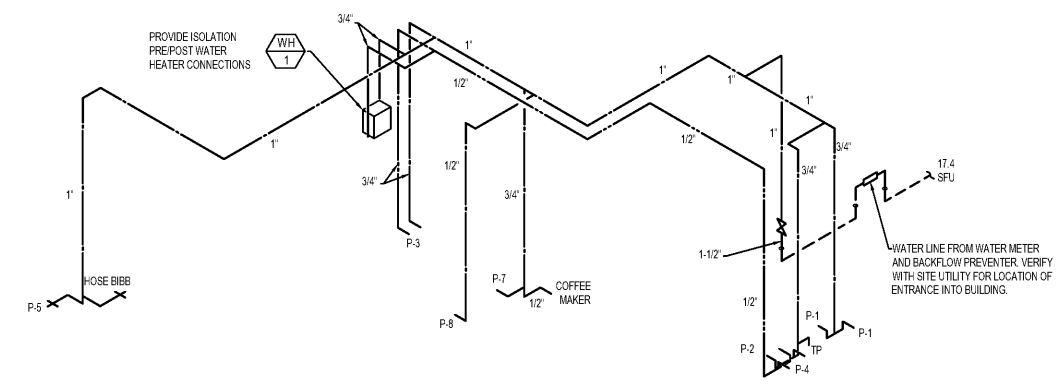
NOTES:
 1. MOUNT ON EXTERIOR OF BUILDING ABOVE GROUND. COORDINATE EXACT LOCATION WITH WATER UTILITY.

PLUMBING PIPING LEGEND	
—	COLD WATER
—	120 DEGREE HOT WATER
—	CIRCULATING HOT WATER
—	VENT
—	140 DEGREE HOT WATER
—	SANITARY WASTE
—	GREASE WASTE
—	GAS LINE
—	AIR LINE
●	CONNECT TO EXISTING
—	EXISTING COLD WATER
—	EXISTING HOT WATER
—	EXISTING VENT
—	EXISTING SANITARY WASTE
—	EXISTING GREASE WASTE
—	EXISTING GAS LINE

Order Plans @ WWW.WALDILINE.COM



2 SANITARY RISER
NO SCALE

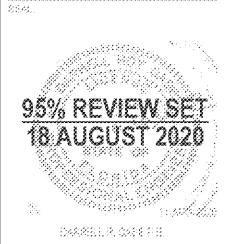


2 WATER RISER
NO SCALE

PROTOTYPE TEMPLATE:
NORTHLAKE
 v.2020.1.08.TKD

PROJECT INFORMATION:

WALDILINE KINGDOM.
 STORE # 945
 10520 COLONIAL BLVD
 FT MEYERS, LEE COUNTY, FLORIDA



PROJECT NO.: 2020-0095
 DRAWN BY:
 CHECKED BY:

ISSUE DATE
 PERMIT PLAN REVIEW 11-AUG-2020

REVISION DATE

SHEET TITLE:
 PLUMBING

SHEET NUMBER:
P-3