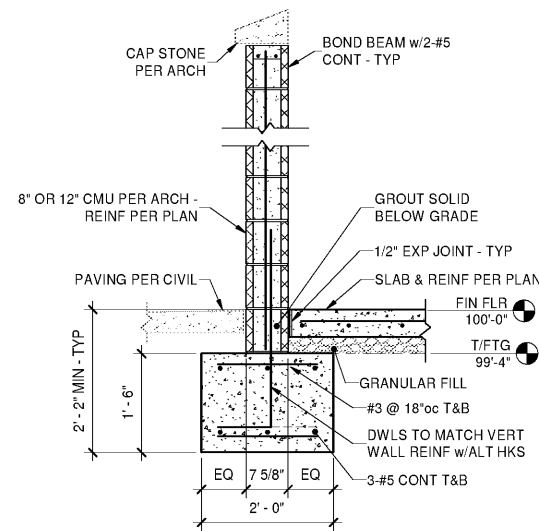
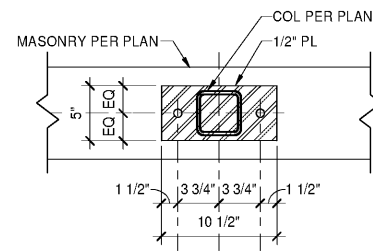


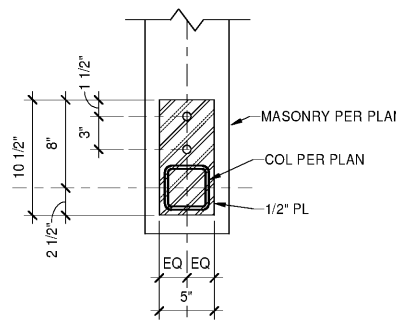
A FOUNDATION DETAIL
S2.4 3/4" = 1'-0"



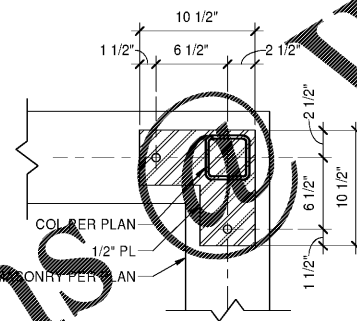
B FOUNDATION SECTION
S2.4 3/4" = 1'-0"



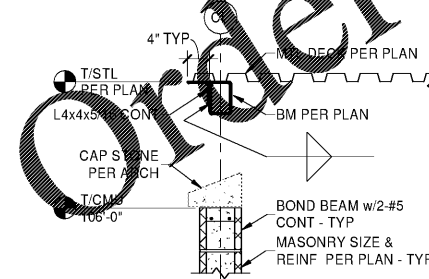
C DETAIL
S2.4 1 1/2" = 1'-0"



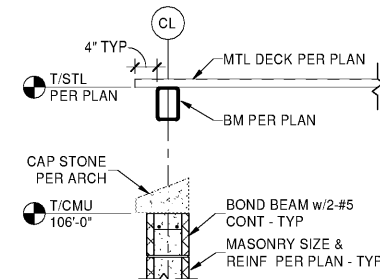
D DETAIL
S2.4 1 1/2" = 1'-0"



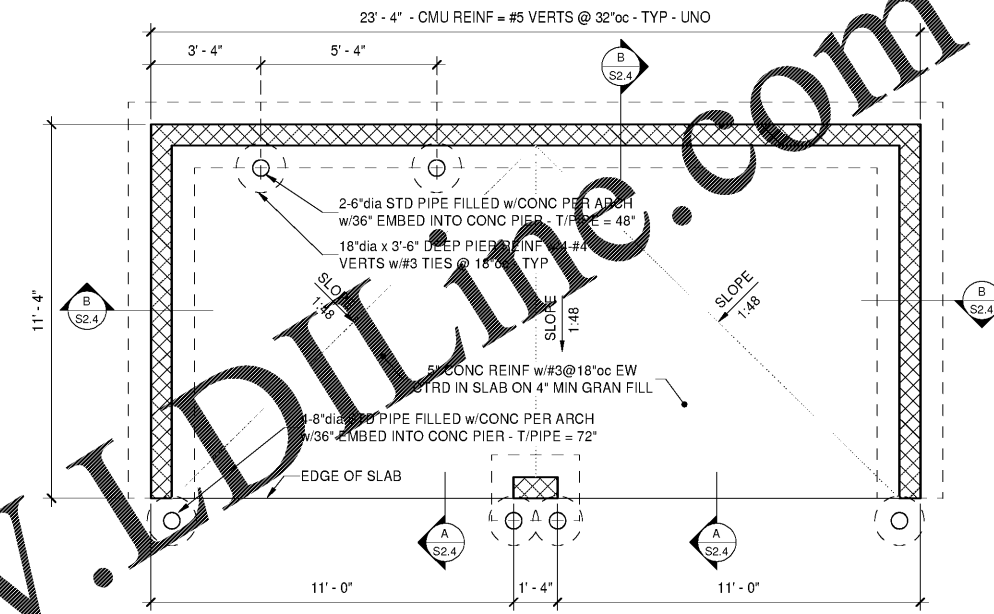
E DETAIL
S2.4 1 1/2" = 1'-0"



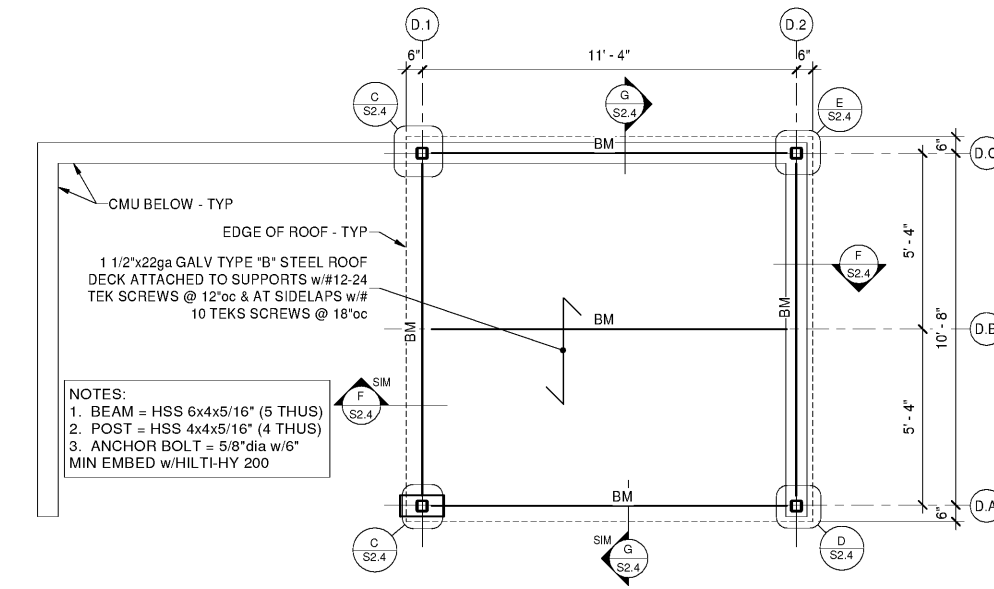
F FRAMING SECTION
S2.4 3/4" = 1'-0"



G FRAMING SECTION
S2.4 3/4" = 1'-0"



H DUMPSTER ENCLOSURE FOUNDATION PLAN
S2.4 N.T.S.



J DUMPSTER ENCLOSURE FRAMING PLAN
S2.4 N.T.S.

PROTOTYPE TEMPLATE:

NORTHLAKE
v.2020.1.08.TKD

PROJECT INFORMATION:

TIRE KINGDOM
STORE # 945
10520 COLONIAL BLVD
FT MEYERS, LEE COUNTY, FLORIDA

95% REVIEW SET
18 AUGUST 2020

PROJECT NO.: WIL-FL-07-20
DRAWN BY: JAL
ENGINEER: EAD

ISSUE: DATE:

PERMIT PLAN REVIEW: 11-AUG-2020

SHEET TITLE:

DUMPSTER ENCLOSURE

SHEET NUMBER:

S2.4