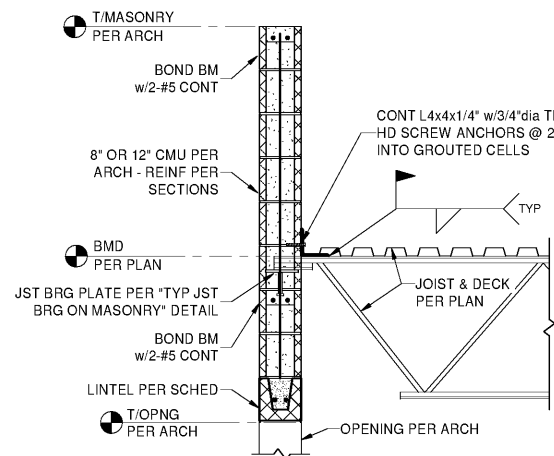
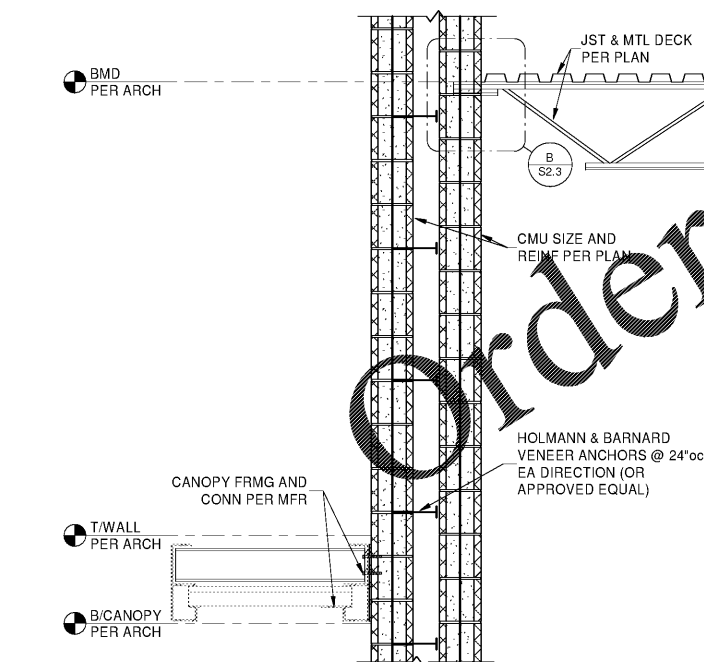


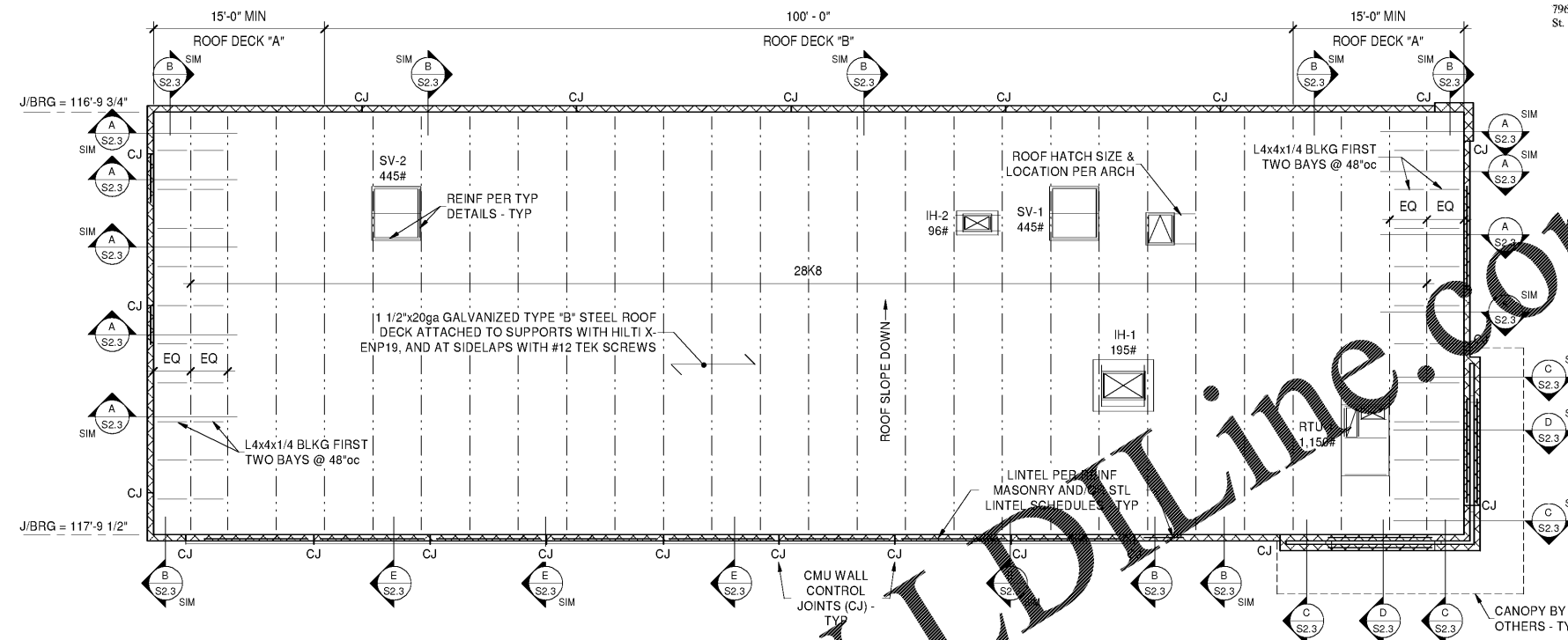
A FRAMING SECTION
S2.3 3/4" = 1'-0"



B FRAMING SECTION
S2.3 3/4" = 1'-0"



C FRAMING SECTION
S2.3 3/4" = 1'-0"



ROOF FRAMING PLAN

PLAN NOTES

- SEE SHEETS S1.1 - S1.3 FOR GENERAL NOTES AND TYPICAL DETAILS.
- PROVIDE HORIZONTAL JOIST BRIDGING AND SPACING PER LATEST SJI MANUAL.
- JOIST MANUFACTURER TO COORDINATE WITH CONTRACTORS TO DETERMINE RTU AND TRANSFORMER LAYOUTS, WEIGHTS AND FOOTPRINTS. RTU AND EXHAUST HOOD LOADS ARE TO BE IN ADDITION TO OTHER DESIGN LOADS.
- MAXIMUM JOIST SPACING = TYP - UNO
- ALL ELEVATIONS ARE REFERENCED FROM FINISHED MAIN FLOOR = 100'-0"

SCALE: 1/8" = 1'-0"

| STEEL LINTEL SCHEDULE | | | KEY |
|---|----------------------------|-----------------------------|--------------------|
| FOR LINTELS NOT SHOWN IN THE DOOR OR WINDOW SCHEDULE OR ON THE ARCHITECT'S DRAWINGS, USE THE ANGLE SIZE SHOWN IN THE TABLE BELOW. | | | TWO ANGLES |
| OPENING SIZE | 8" MASONRY WALL ANGLE SIZE | 12" MASONRY WALL ANGLE SIZE | |
| UP TO 1'-0" | N/A | N/A | 10"x3/8" PLATE |
| 1'-1" TO 3'-4" | L 3 1/2"x3 1/2"x1/4" | L 5"x3 1/2"x1/4" LLH | |
| 3'-5" TO 4'-8" | L 4"x3 1/2"x1/4" LLV | L 5"x3 1/2"x1/4" LLH | |

NOTES

- ALL ANGLES MUST HAVE 8" OF BEARING AT EACH END.
- THIS SCHEDULE DOES NOT INCLUDE EFFECT OF FLOOR OR ROOF FRAMING LOADS.
- ALL ANGLES TO BE GALVANIZED.
- WELD ANGLES TOGETHER, BACK-TO-BACK, w/ 3/16" WELDS, 2" EVERY 12", TOP & BOT.

| REINFORCED MASONRY LINTEL SCHEDULE | | | | | |
|------------------------------------|-------|------------|------------|---|------------------------|
| MAX. CLEAR SPAN | DEPTH | 8" WALL | 12" WALL | MAS. WIDTH PER PLAN/SCHED | MASONRY REINF PER PLAN |
| 2'-0" | 8" | (2) #5 | (2) #5 | MASONRY REINF PER PLAN TOP REINF LOCATION SHEAR REINF BOT REINF LOCATION | |
| 4'-0" | 16" | (2) #5 | (2) #5 | | |
| 6'-0" | 24" | (2) #5 | (2) #5 | | |
| 8'-0" | 24" | (2) #5 T&B | (2) #5 | | |
| 14'-0" | 32" | (2) #5 T&B | (2) #5 T&B | | |

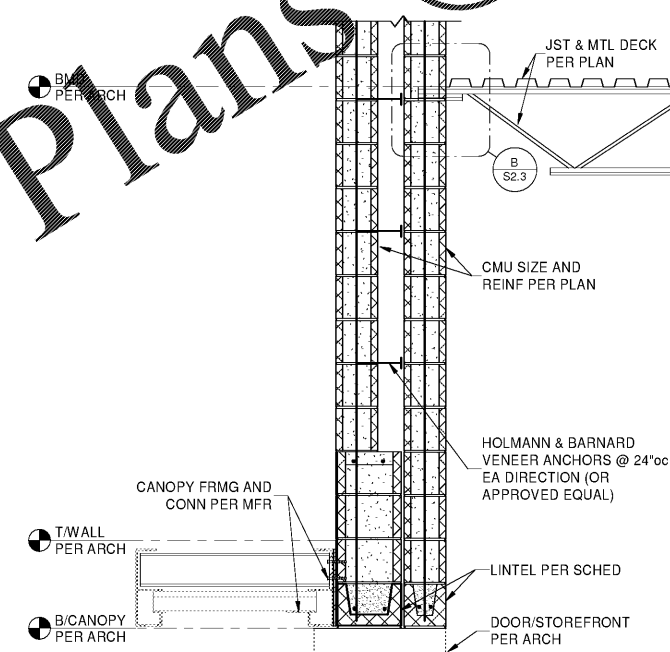
NOTES:

- EXTEND REINFORCING 24" EACH SIDE OF OPENING (MINIMUM).
- ALL CELLS SHALL BE FULLY GROUTED.
- PROVIDE ADDITIONAL WALL REINF FOR TWO CELLS ADJACENT TO OPENING EACH SIDE; USE TYP. VERTICAL WALL REINF (UNO).
- REINFORCING (ALL REINF. IS AT BOTTOM, UNLESS NOTED OTHERWISE (T=TOP, B=BOTTOM, & M=MIDDLE)).

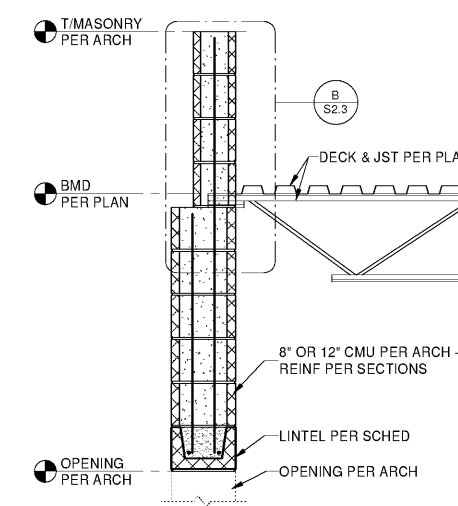
| ROOF DECK ATTACHMENT SCHEDULE AND DETAIL | | |
|--|--|---------------------------------------|
| MARK | DECK ATTACHMENT PATTERN TO SUPPORTS w/ HILTI X-ENP19 | SIDLAP FASTENER SPACING w/ #12 SCREWS |
| A | 36/7 | 12"oc MAX |
| B | 36/4 | 12"oc MAX |

1 1/2" DECK x 36" WIDE SHEET ATTACHMENT PATTERN

F ROOF DECK ATTACHMENT SCHEDULE AND DETAIL
S2.3 N.T.S.



D FRAMING SECTION
S2.3 3/4" = 1'-0"



E FRAMING SECTION
S2.3 3/4" = 1'-0"

Order Plans @ WWW.LDOnline.com

PROTOTYPE TEMPLATE:
NORTHLAKE
v.2020.1.08.TKD

PROJECT INFORMATION:
TIRE KINGDOM
STORE # 945
10520 COLONIAL BLVD
FT MEYERS, LEE COUNTY, FLORIDA

95% REVIEW SET
18 AUGUST 2020

PROJECT NO.: WL-FL-07-20
DRAWN BY: JAL
ENGINEER: EAD

ISSUE: DATE:
PERMIT PLAN REVIEW 11-AUG-2020

SHEET TITLE:
ROOF FRMG PLAN & SECS
SHEET NUMBER:

S2.3