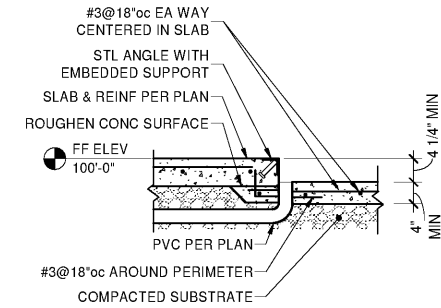
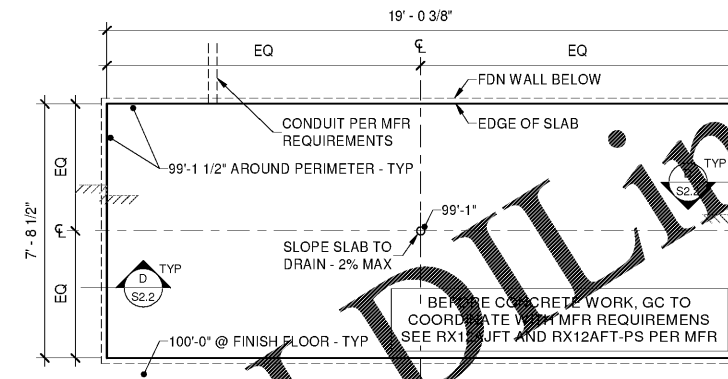


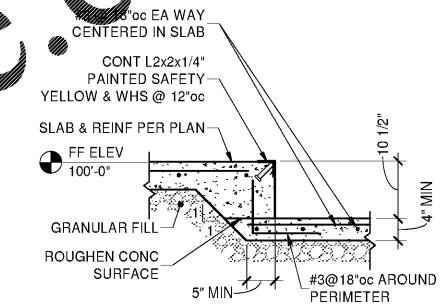
A SHORT-RISE LIFT DETAIL - SRM10 (PLAN)
 S2.2 N.T.S.



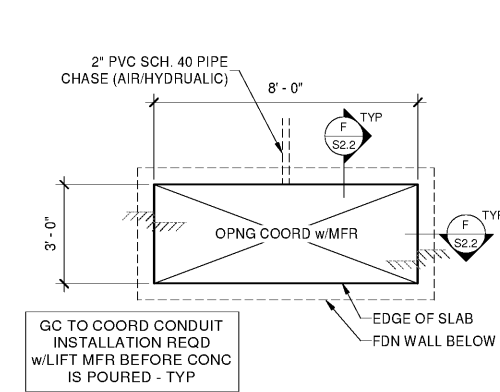
B SHORT-RISE LIFT DETAIL - SRM10
 S2.2 N.T.S.



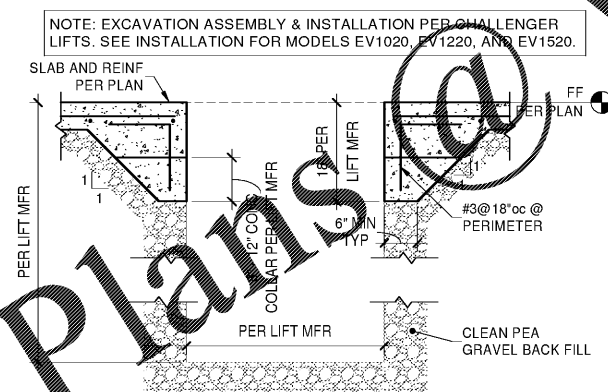
C ALIGNMENT LIFT DETAIL - RX12A (PLAN)
 S2.2 N.T.S.



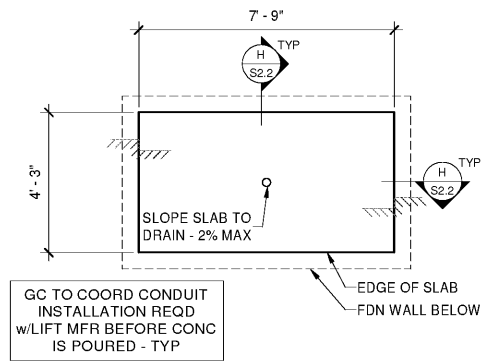
D ALIGNMENT LIFT DETAIL - RX12A
 S2.2 N.T.S.



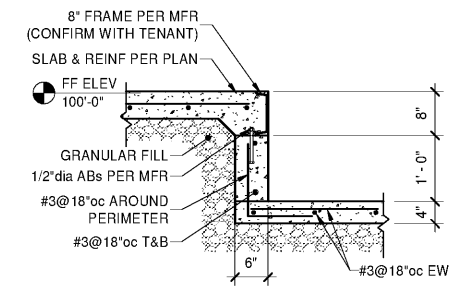
E IN-GROUND LIFT - CASSETTE INSTALL (PLAN)
 S2.2 N.T.S.



F IN-GROUND LIFT - CASSETTE INSTALL
 S2.2 N.T.S.



G QUICK CHECK LIFT DETAIL - QT1F (PLAN)
 S2.2 N.T.S.



H QUICK CHECK LIFT DETAIL - QT1F
 S2.2 N.T.S.

Order Plans @ WWW.IDIline.com

PROTOTYPE TEMPLATE:
NORTHLAKE
 v.2020.1.08.TKD

PROJECT INFORMATION:
TIRE KINGDOM
 STORE # 945
 10520 COLONIAL BLVD
 FT MEYERS, LEE COUNTY, FLORIDA

95% REVIEW SET
 18 AUGUST 2020

PROJECT NO.: WIL-FL-07-20
 DRAWN BY: JAL
 ENGINEER: EAD

ISSUE: DATE:
 PERMIT PLAN REVIEW 11-AUG-2020

REVISION	DATE:

SHEET TITLE:
LIFT PLANS & LIFT DETAILS
 SHEET NUMBER:
S2.2