

PROTOTYPE TEMPLATE:

NORTHLAKE
v.2020.1.08.TKD

PROJECT INFORMATION:

TIRE KINGDOM
STORE # 945
10520 COLONIAL BLVD
FT MEYERS, LEE COUNTY, FLORIDA

95% REVIEW SET
18 AUGUST 2020

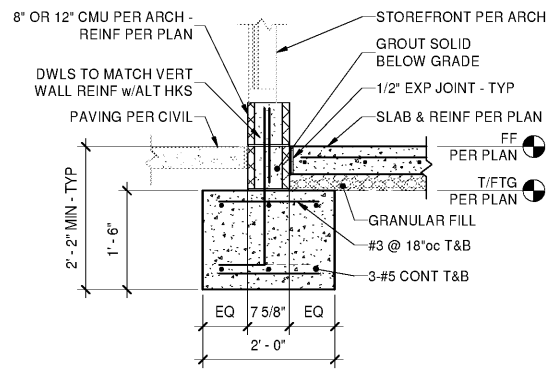
PROJECT NO.: WL-FL-07-20
DRAWN BY: JAL
ENGINEER: EAD

ISSUE: DATE:
PERMIT PLAN REVIEW 11-AUG-2020

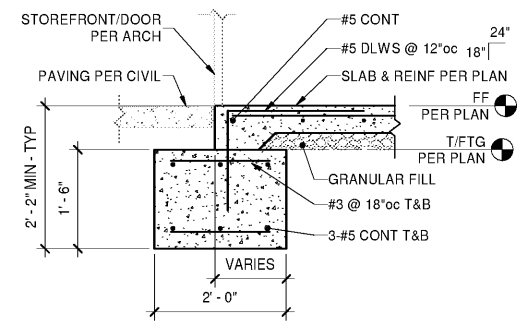
REVISION: DATE:

SHEET TITLE:
FOUNDATION PLAN

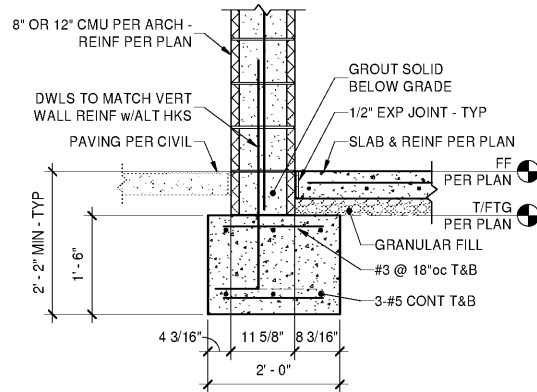
SHEET NUMBER:
S2.1



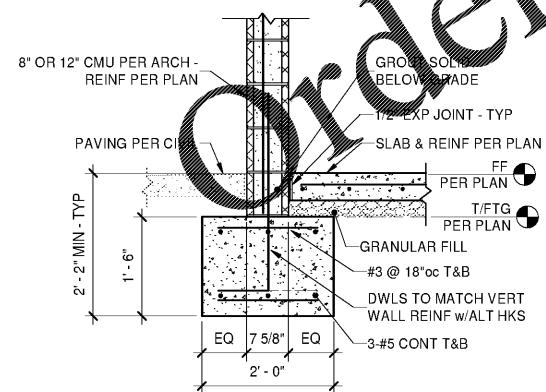
A FOUNDATION SECTION
S2.1 3/4" = 1'-0"



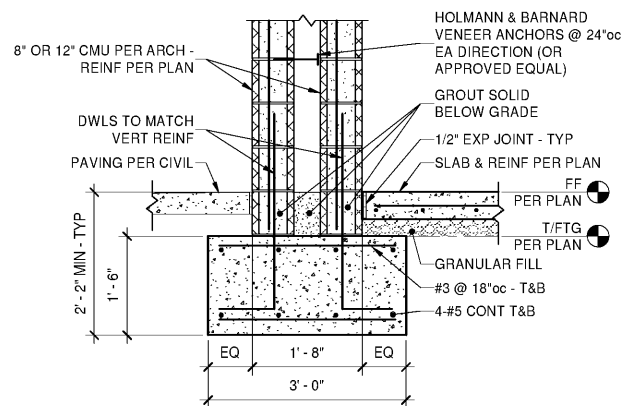
B FOUNDATION SECTION
S2.1 3/4" = 1'-0"



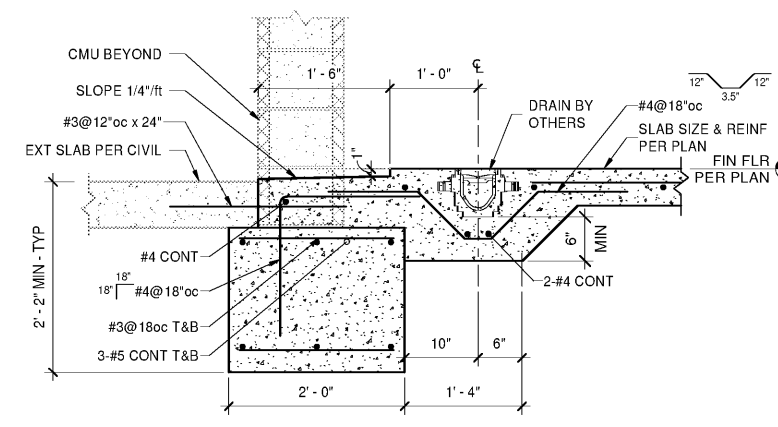
C FOUNDATION SECTION
S2.1 3/4" = 1'-0"



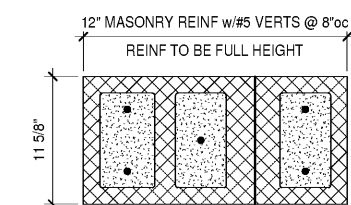
D FOUNDATION SECTION
S2.1 3/4" = 1'-0"



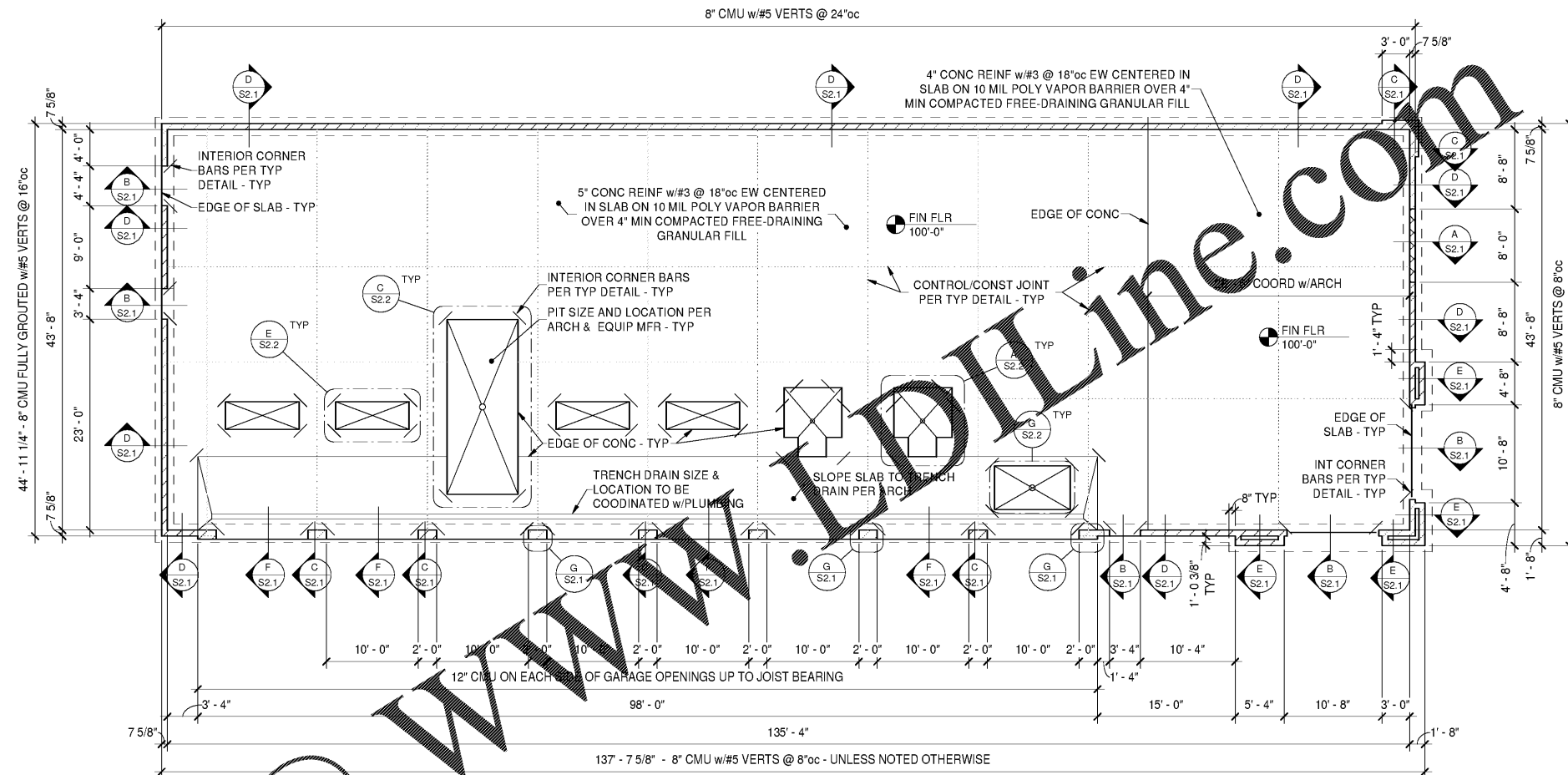
E FOUNDATION SECTION
S2.1 3/4" = 1'-0"



F FOUNDATION SECTION
S2.1 1" = 1'-0"



G FOUNDATION DETAIL
S2.1 1 1/2" = 1'-0"



FOUNDATION PLAN

PLAN NOTES

- SEE SHEETS S1.1 - S1.3 FOR GENERAL NOTES AND TYPICAL DETAILS.
- SEE ARCHITECTURAL DRAWINGS FOR DIMENSIONS, SECTIONS, AND ELEVATIONS NOT SHOWN HEREON.
- COORDINATE SIZE AND LOCATION OF ROUGH OPENINGS IN FLOOR OR WALLS WITH ARCHITECTURAL DRAWINGS.
- ALL ELEVATIONS ARE REFERENCED FROM FINISHED MAIN FLOOR = 100'-0"

SCALE: 1/8" = 1'-0"

Order Plans @