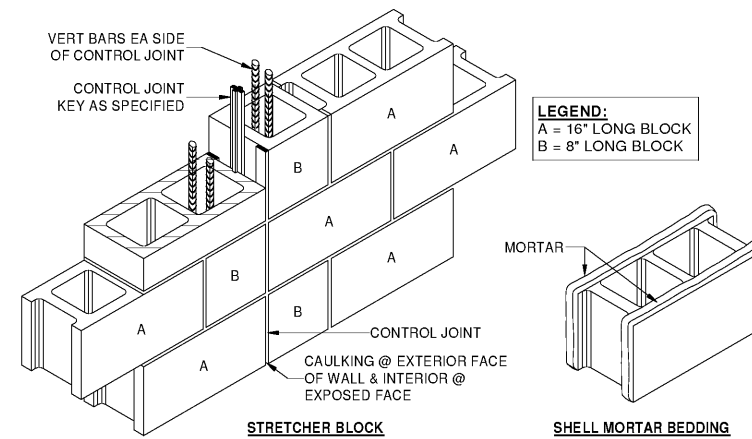
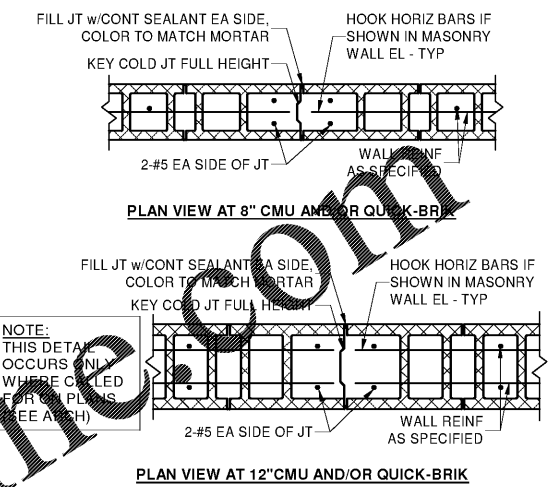


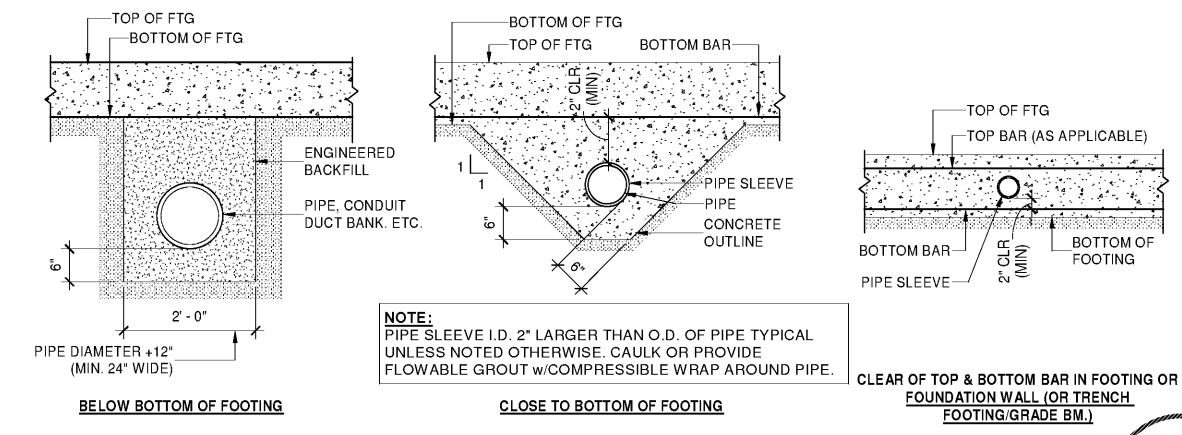
NOTE: GENERAL CONTRACTOR TO PROVIDE CMU SHOP DRAWINGS OF ALL CMU WALLS SHOWING ALL REINFORCEMENT, LINTELS, CONTROL JOINTS, ETC. ON SCALED WALL ELEVATIONS TO EOR FOR REVIEW PRIOR TO FABRICATION



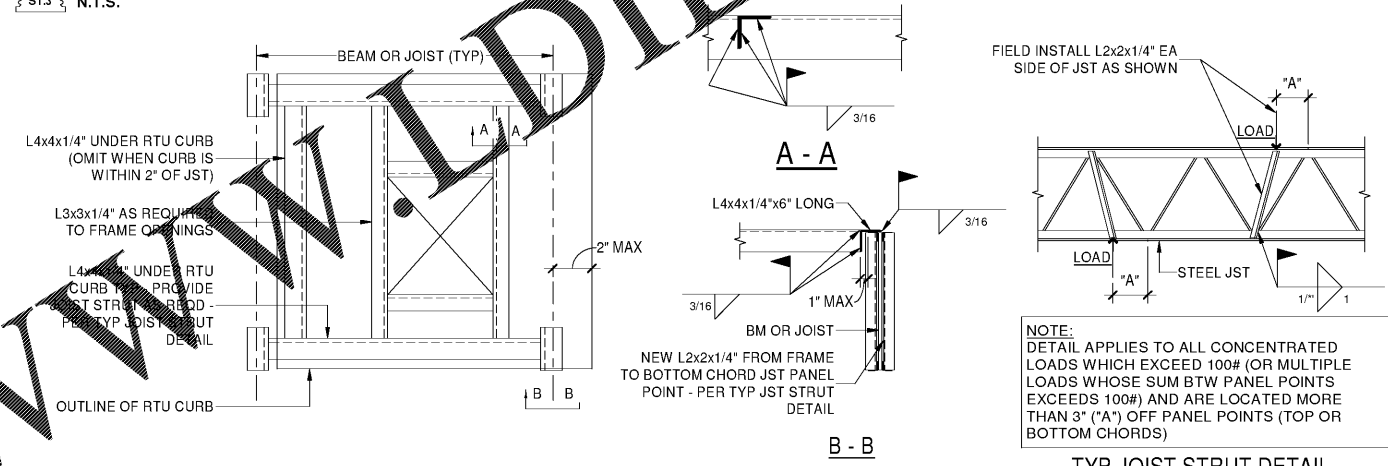
NOTES:  
1. FIGURE ABOVE IS APPLICABLE TO THE CONSTRUCTION OF ALL CONTROL JOINTS IN THE 8" & 12" HOLLOW BLOCK WALLS EXCEPT WHERE STEEL OR CONCRETE COLUMNS OCCUR. SEE STRUCTURAL & ARCHITECTURAL DRAWINGS FOR LOCATIONS.  
2. SEE SPEC. & ARCH. DRAWINGS FOR JOINT SPACING/LOCATIONS



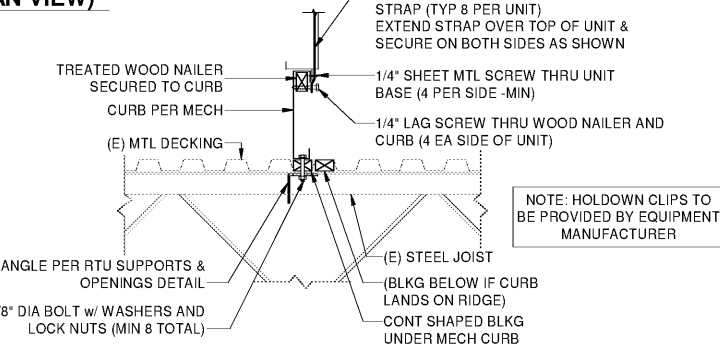
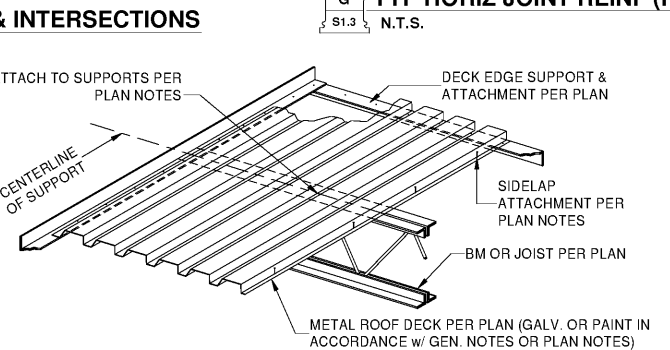
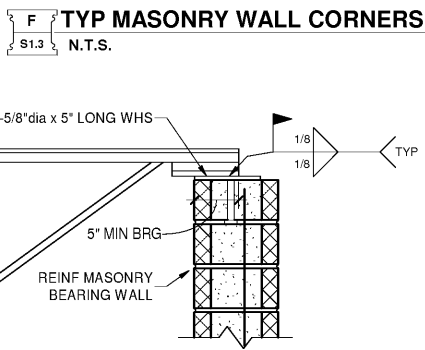
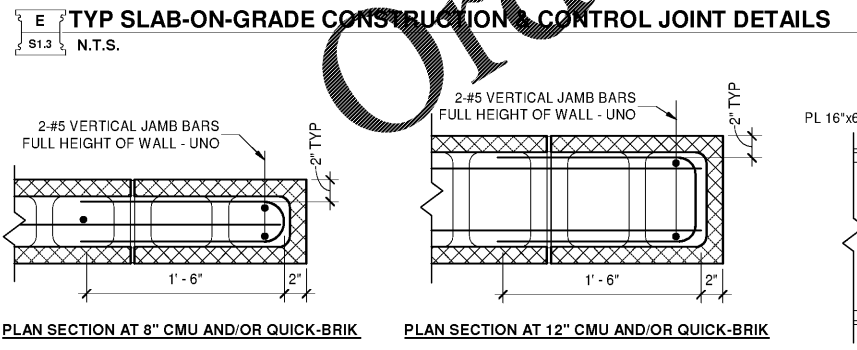
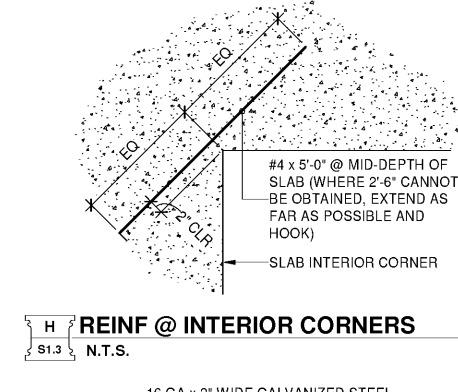
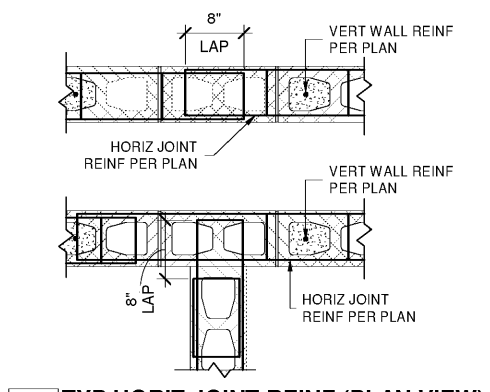
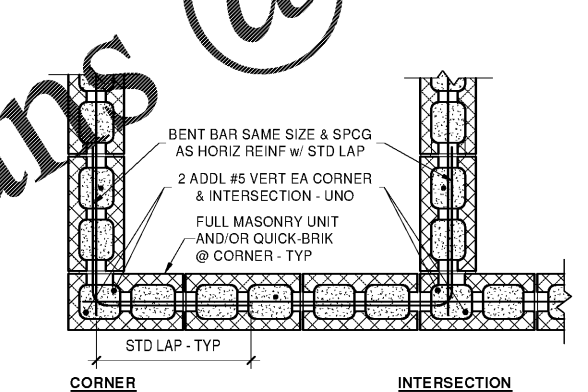
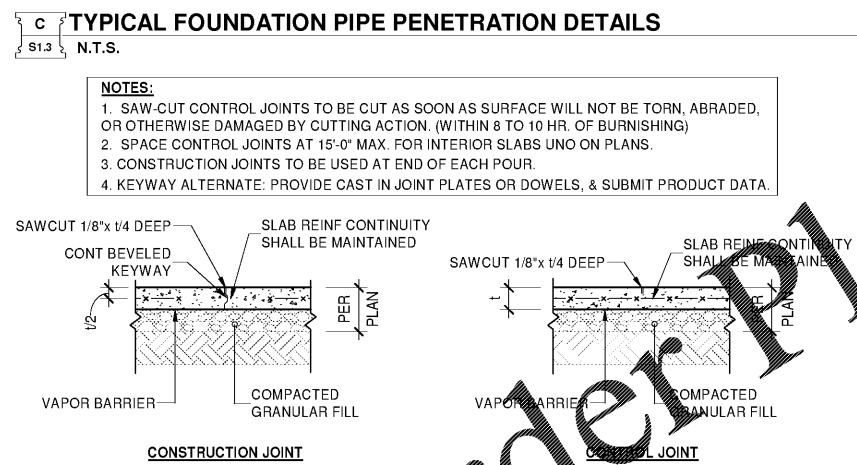
NOTE: THIS DETAIL OCCURS ONLY WHERE CALLED FOR ON PLANS (SEE ARCH)



NOTE: PIPE SLEEVE I.D. 2" LARGER THAN O.D. OF PIPE TYPICAL UNLESS NOTED OTHERWISE. CAULK OR PROVIDE FLOWABLE GROUT w/COMPRESSIBLE WRAP AROUND PIPE.



NOTE: DETAIL APPLIES TO ALL CONCENTRATED LOADS WHICH EXCEED 100# (OR MULTIPLE LOADS WHOSE SUM BTW PANEL POINTS EXCEEDS 100#) AND ARE LOCATED MORE THAN 3" ("A") OFF PANEL POINTS (TOP OR BOTTOM CHORDS)



PROTOTYPE TEMPLATE:  
**NORTHLAKE**  
v.2020.1.08.TKD

PROJECT INFORMATION:  
**TIRE KINGDOM**  
STORE # 945  
10520 COLONIAL BLVD  
FT MEYERS, LEE COUNTY, FLORIDA

95% REVIEW SET  
18 AUGUST 2020

PROJECT NO.: WL-FL-07-20  
DRAWN BY: JAL  
ENGINEER: EAD  
ISSUE: DATE:  
PERMIT PLAN REVIEW: 11-AUG-2020

REVISION: DATE:

SHEET TITLE:  
**TYPICAL DETAILS**  
SHEET NUMBER:

**S1.3**