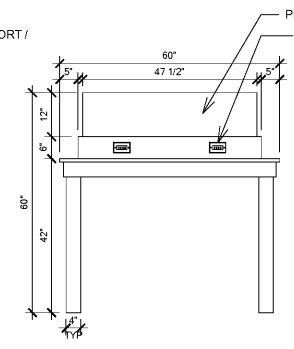
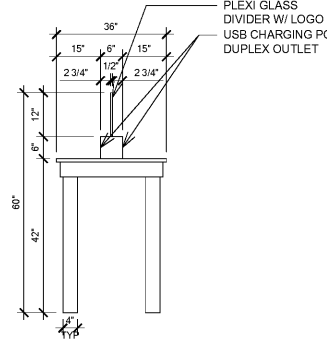
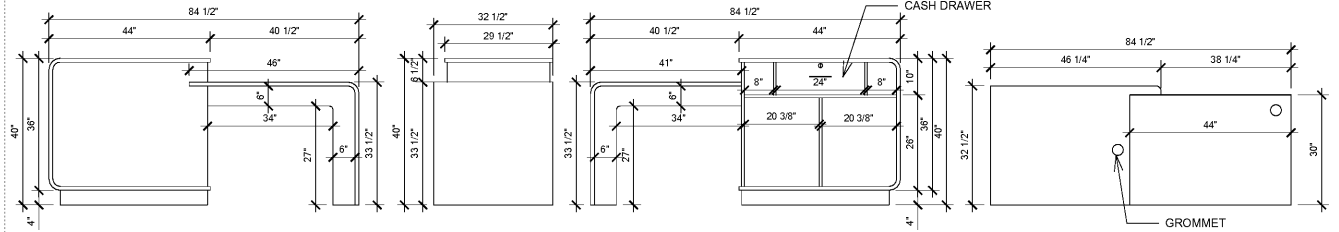


ISOMETRIC

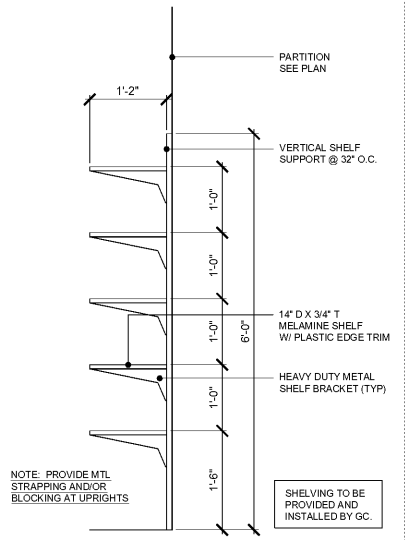


WORK TABLE **D4**
NTS

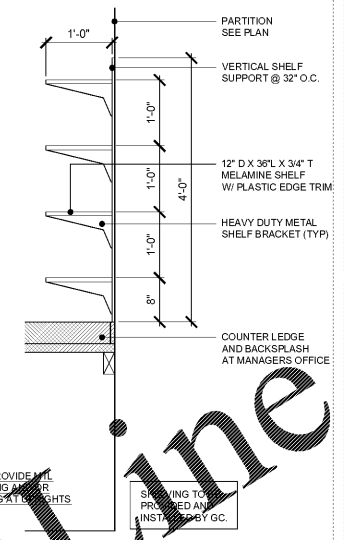


FRONT

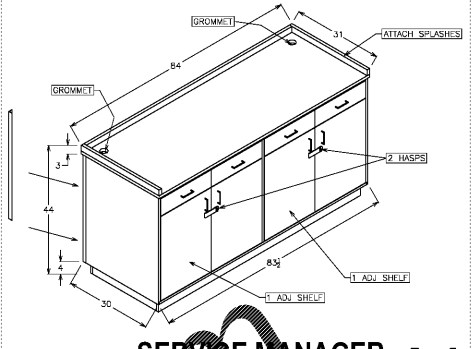
SALES COUNTER **D3**
NTS



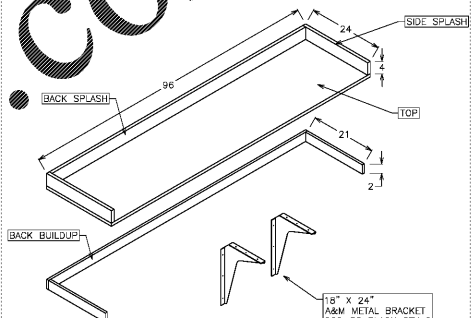
CLOSET SHELVING **C3**
3/4\"/>



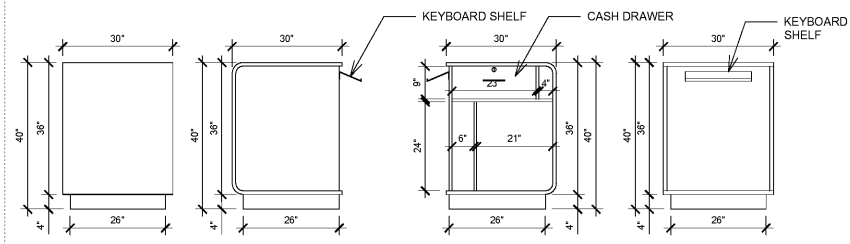
OFFICE SHELVING **B3**
3/4\"/>



SERVICE MANAGER **A4**
NTS



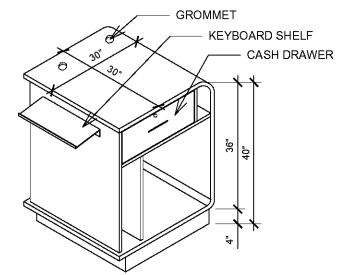
DESK/COUNTER LEDGE **A3**
NTS



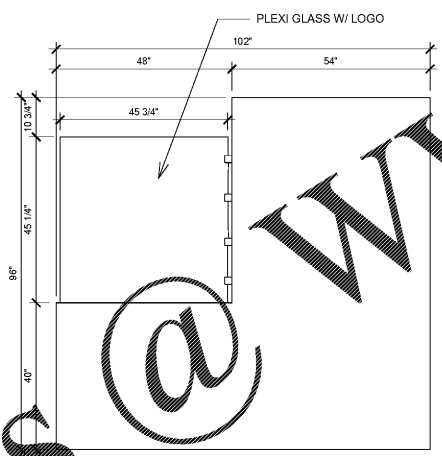
FRONT

SIDE

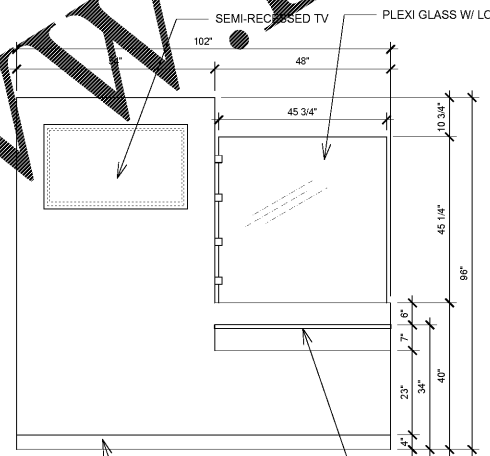
SALES KIOSK **E2**
NTS



ISOMETRIC

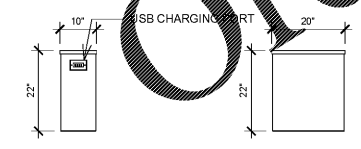
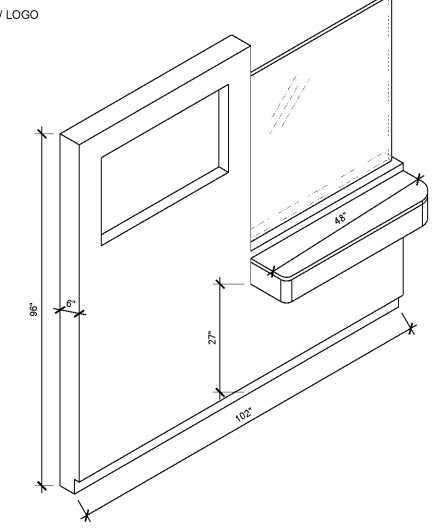


FRONT

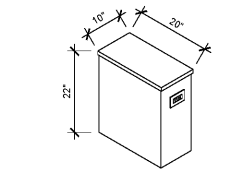


SIDE

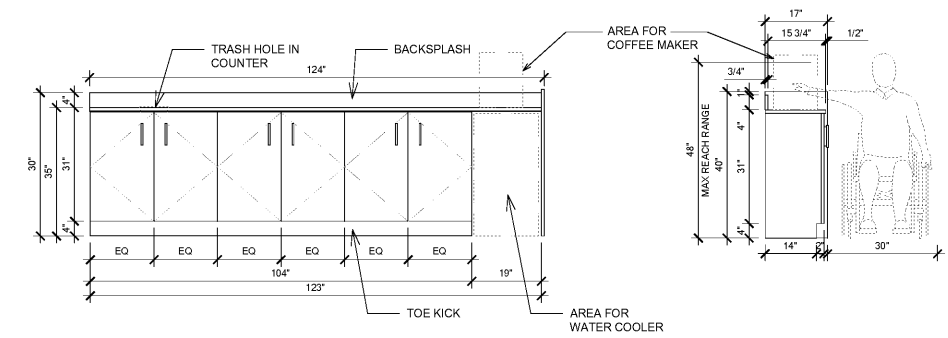
TV WALL **A2**
NTS



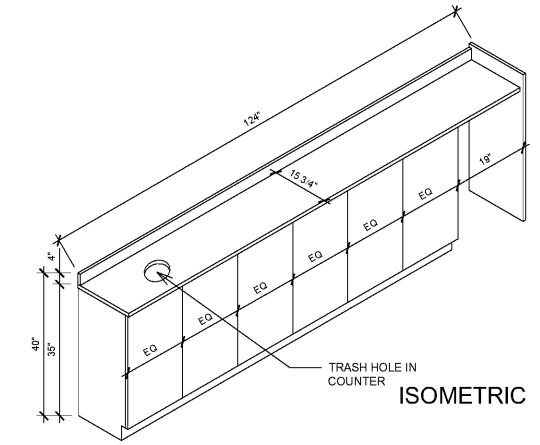
FRONT



CHARGING TABLE **E1**
NTS



SIDE



REFRESHMENT COUNTER **A1**
NTS

Order Plans @ www.LDilline.com

PROTOTYPE TEMPLATE:
NORTHLAKE
v.2020.1.08.TKD
PROJECT INFORMATION:

TIRE KINGDOM
STORE # 945
10520 COLONIAL BLVD
FT MEYERS, LEE COUNTY, FLORIDA

95% REVIEW SET
18 AUGUST 2020

PROJECT NO.: 2020-095
DRAWN BY: BMT
CHECKED BY: EKB

ISSUE DATE
PERMIT PLAN REVIEW 11-AUG-2020

REVISION DATE

SHEET TITLE:
FF&E DETAILS MILLWORK

SHEET NUMBER:

A-711