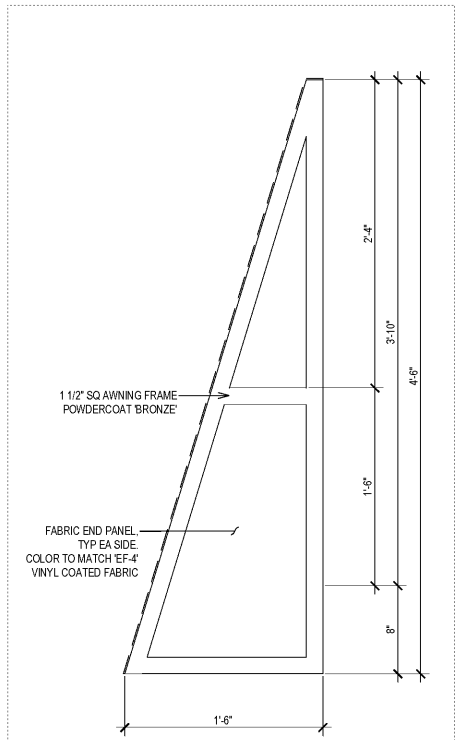
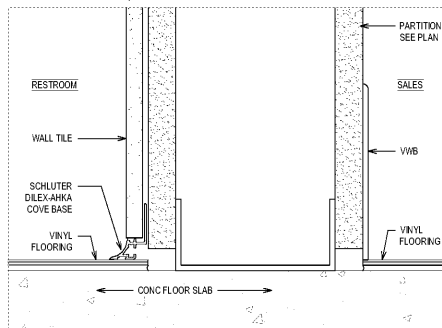


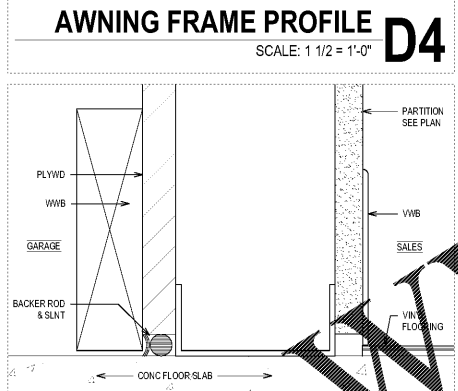
VENEER BASE DETAIL E5
SCALE: 1 1/2 = 1'-0"



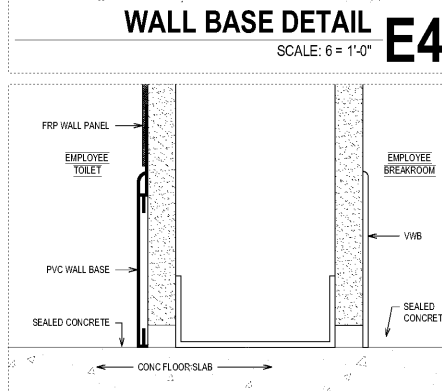
AWNING FRAME PROFILE D4
SCALE: 1 1/2 = 1'-0"



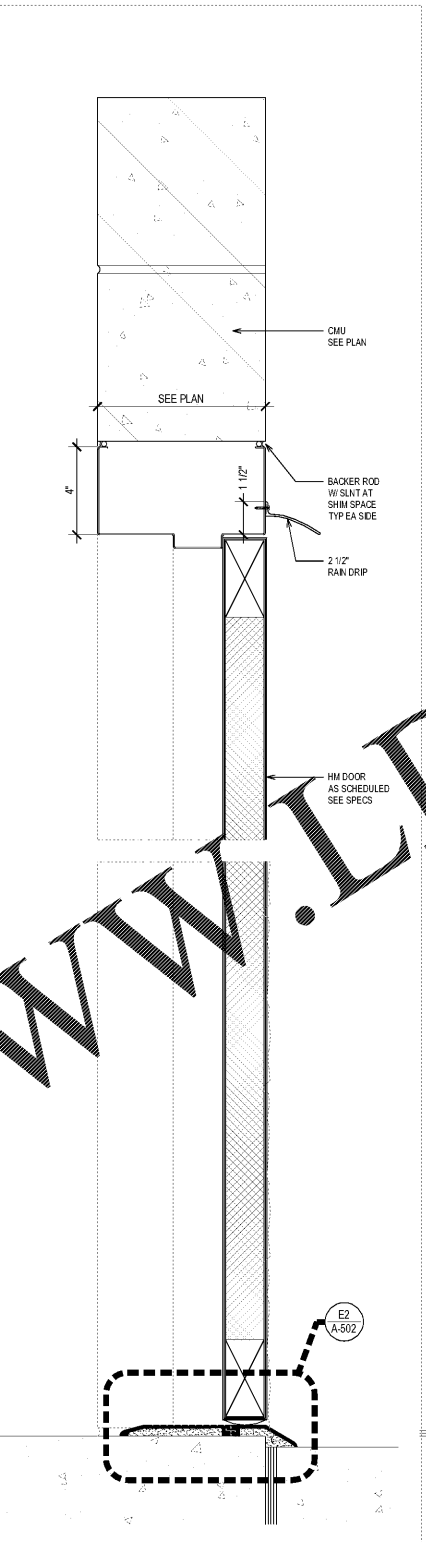
WALL BASE DETAIL E4
SCALE: 6 = 1'-0"



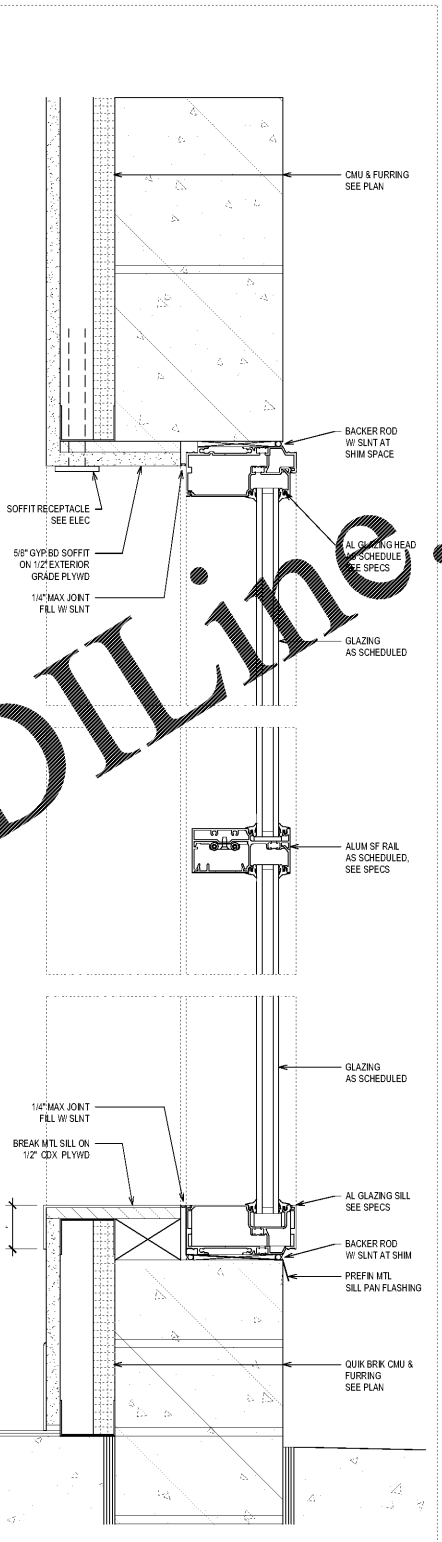
WALL BASE DETAIL D3
SCALE: 6 = 1'-0"



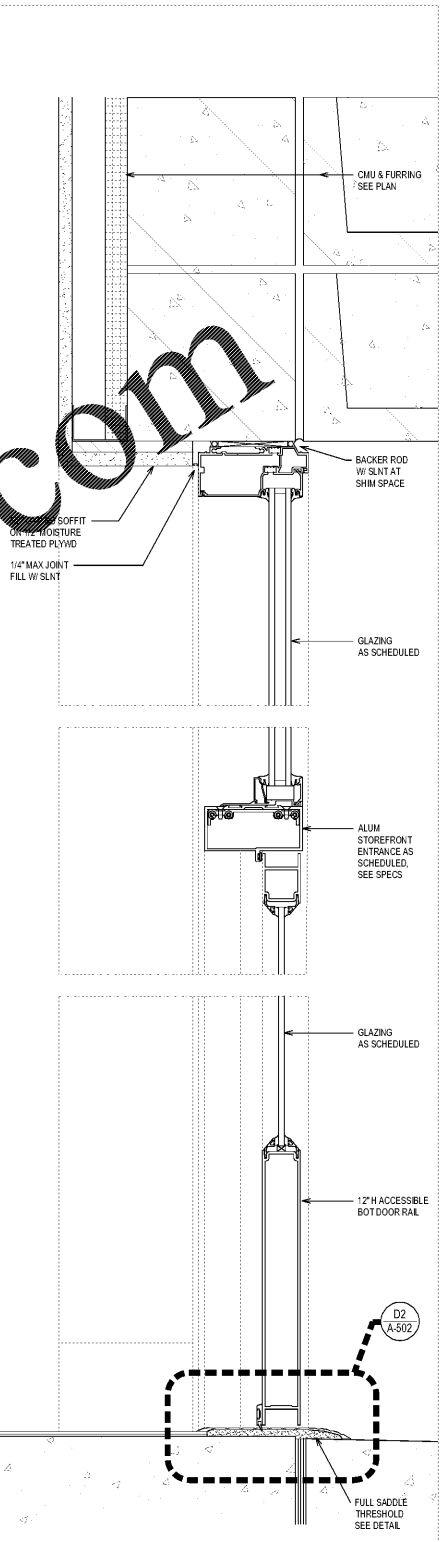
WALL BASE DETAIL E3
SCALE: 6 = 1'-0"



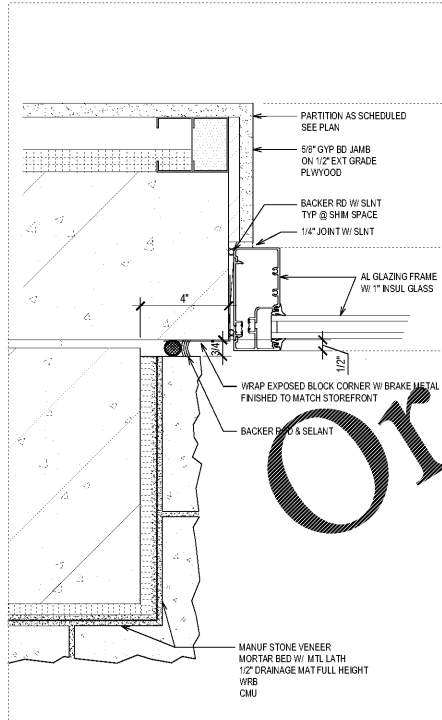
HM DOOR SECTION C2
SCALE: 3 = 1'-0"



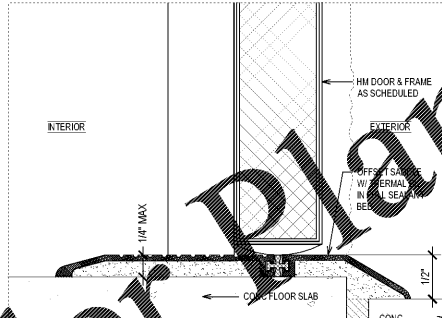
STOREFRONT GLAZING B2
SCALE: 3 = 1'-0"



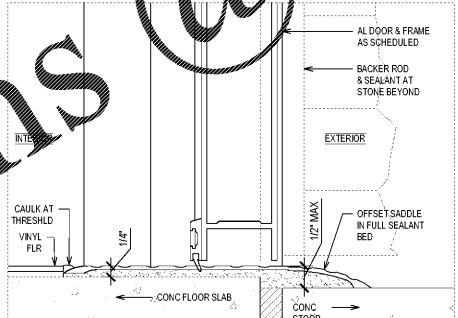
STOREFRONT ENTRANCE A2
SCALE: 3 = 1'-0"



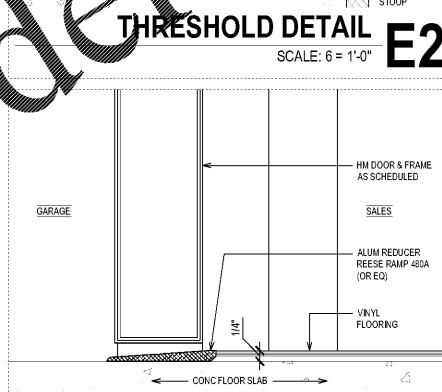
STONE VENEER JAMB DTL F1
SCALE: 3 = 1'-0"



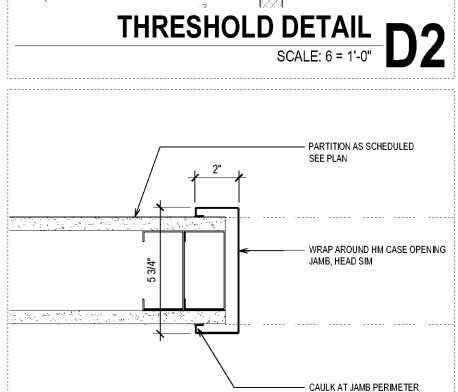
THRESHOLD DETAIL E2
SCALE: 6 = 1'-0"



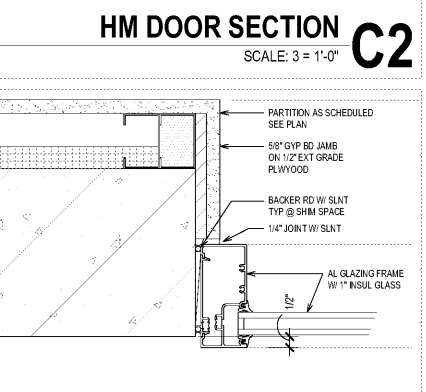
THRESHOLD DETAIL D2
SCALE: 6 = 1'-0"



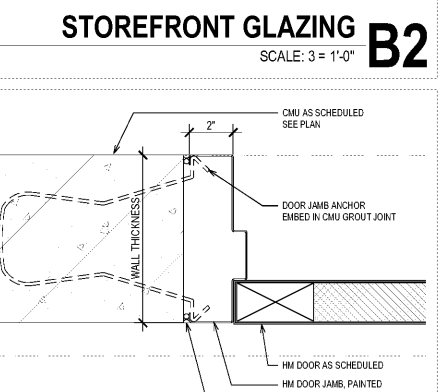
THRESHOLD DETAIL E1
SCALE: 6 = 1'-0"



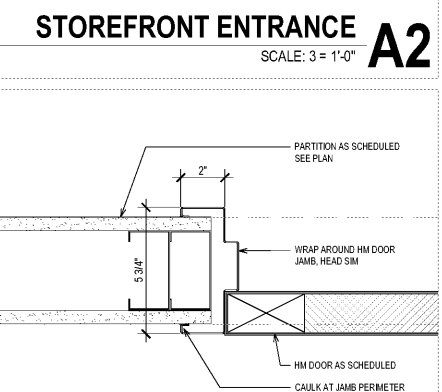
CASED OPENING JAMB D1
SCALE: 3 = 1'-0"



ALUM GLAZING JAMB DTL C1
SCALE: 3 = 1'-0"



HM DOOR JAMB DTL B1
SCALE: 3 = 1'-0"



HM DOOR JAMB DTL A1
SCALE: 3 = 1'-0"

PROTOTYPE TEMPLATE:
NORTHLAKE
v.2020.1.08.TKD
PROJECT INFORMATION:

TIRE KINGDOM.
STORE # 945
10520 COLONIAL BLVD
FT MEYERS, LEE COUNTY, FLORIDA

95% REVIEW SET
18 AUGUST 2020

PROJECT NO.: 2020-095
DRAWN BY: BMT
CHECKED BY: EKB

ISSUE DATE
PERMIT PLAN REVIEW 11-AUG-2020

REVISION DATE

SHEET TITLE:
DETAILS

SHEET NUMBER:
A-502