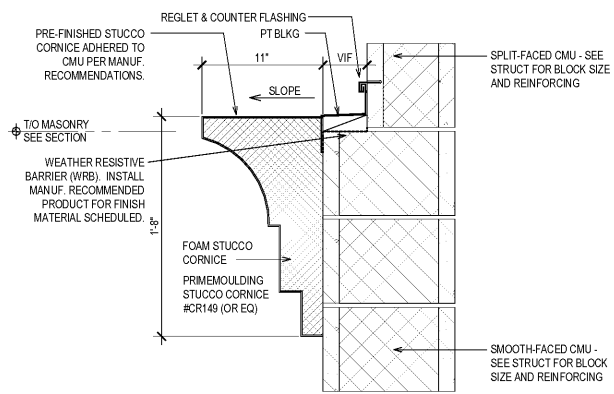
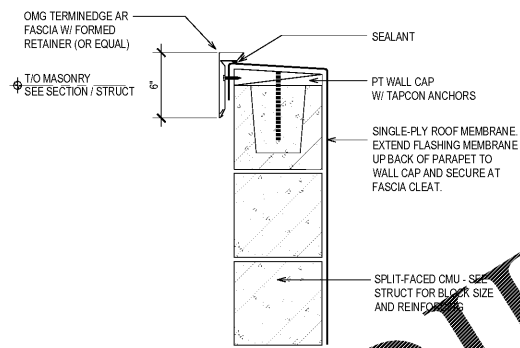


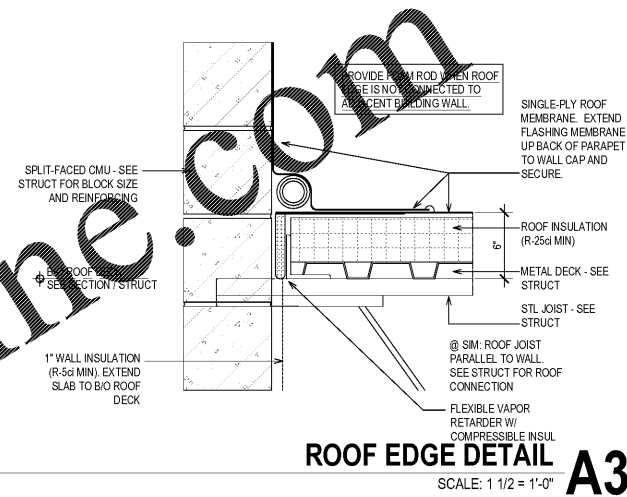
WALL CAP / CORNICE DETAIL E3
SCALE: 1 1/2 = 1'-0"



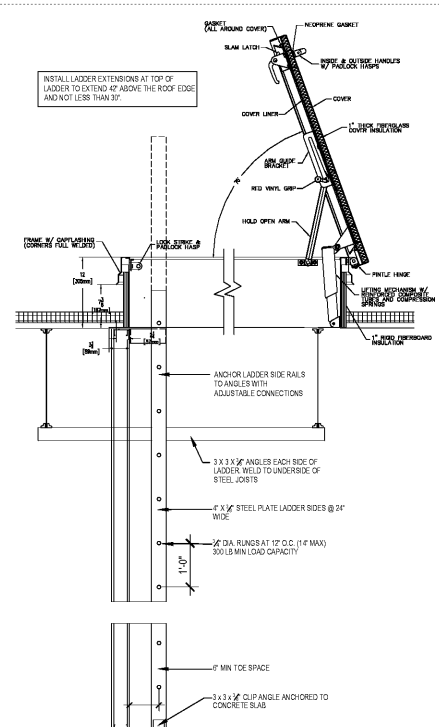
CORNICE TRIM DETAIL D3
SCALE: 1 1/2 = 1'-0"



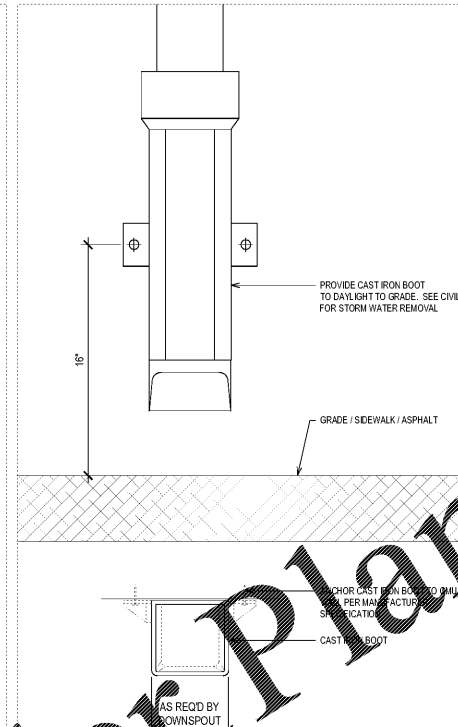
WALL CAP DETAIL B3
SCALE: 1 1/2 = 1'-0"



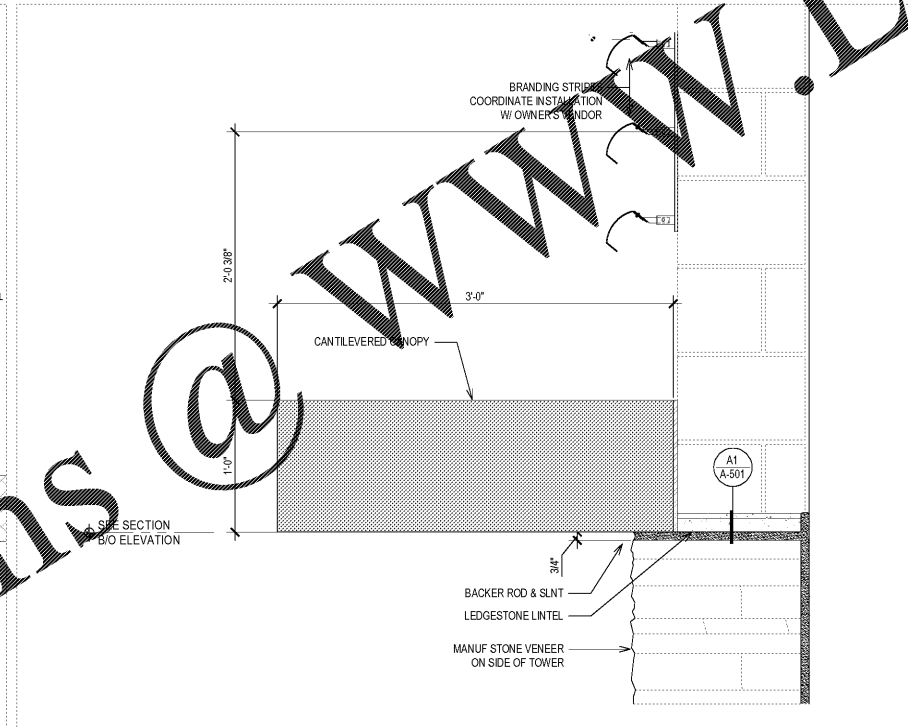
ROOF EDGE DETAIL A3
SCALE: 1 1/2 = 1'-0"



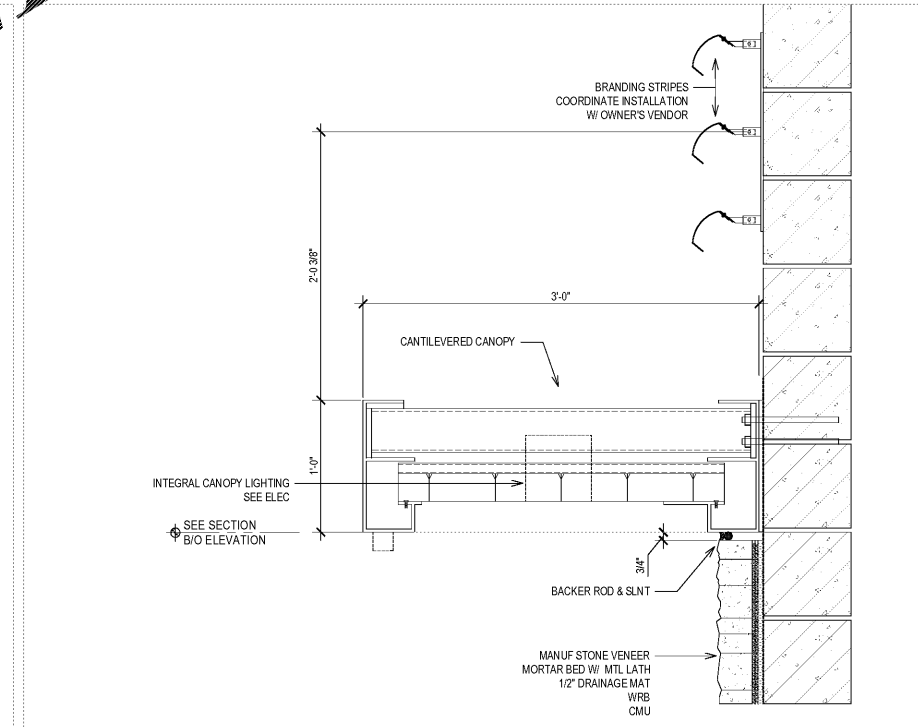
ROOF ACCESS F2
SCALE: 1 1/2 = 1'-0"



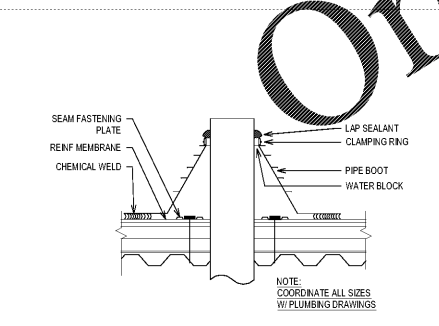
DOWNSPOUT BOOT E2
SCALE: 1 1/2 = 1'-0"



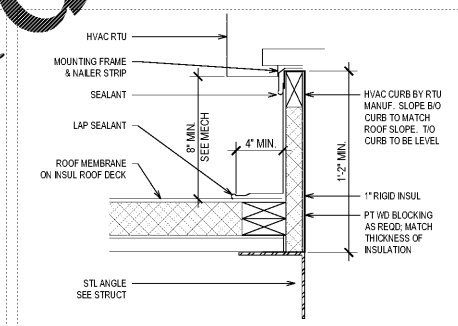
CANOPY SIDE WALL DTL C2
SCALE: 1 1/2 = 1'-0"



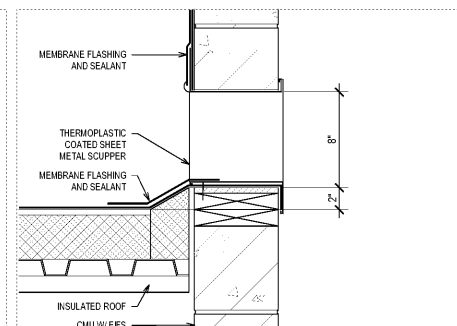
CANOPY SECTION DTL A2
SCALE: 1 1/2 = 1'-0"



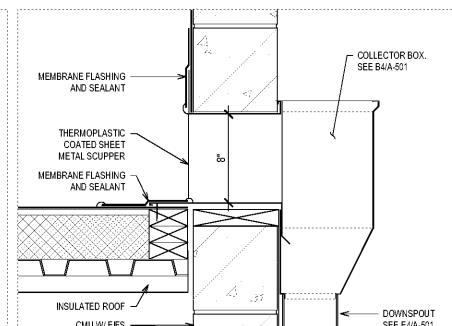
ROOF PIPE PENETRATION F1
SCALE: 1 1/2 = 1'-0"



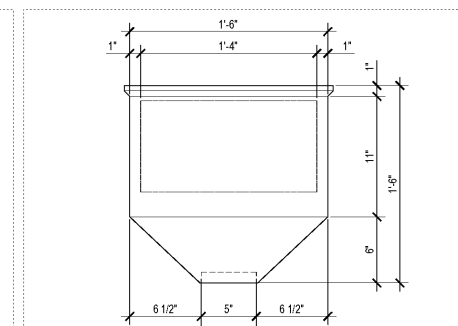
MECHANICAL ROOF CURB E1
SCALE: 1 1/2 = 1'-0"



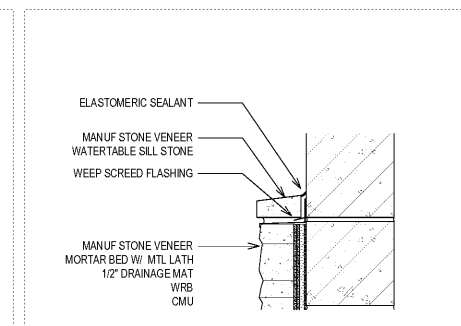
OVERFLOW SCUPPER DTL D1
SCALE: 1 1/2 = 1'-0"



PRIMARY SCUPPER DTL C1
SCALE: 1 1/2 = 1'-0"



COLLECTOR BOX DTL B1
SCALE: 1 1/2 = 1'-0"



STONE VENEER SILL DTL A1
SCALE: 1 1/2 = 1'-0"

PROTOTYPE TEMPLATE:
NORTHLAKE
v.2020.1.08.TKD
PROJECT INFORMATION:

TIRE KINGDOM.
STORE # 945
10520 COLONIAL BLVD
FT MEYERS, LEE COUNTY, FLORIDA

95% REVIEW SET
18 AUGUST 2020

PROJECT NO.: 2020-095
DRAWN BY: BMT
CHECKED BY: EKB

ISSUE DATE
PERMIT PLAN REVIEW 11-AUG-2020

REVISION DATE

SHEET TITLE:
DETAILS

SHEET NUMBER:
A-501