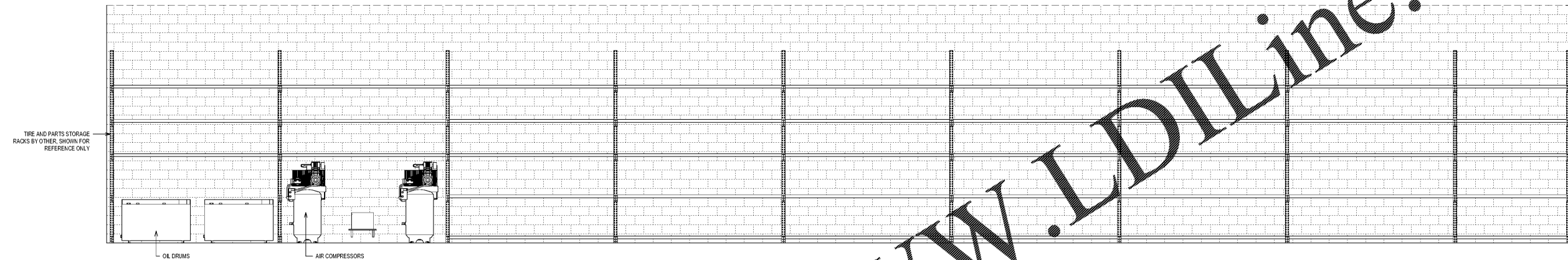


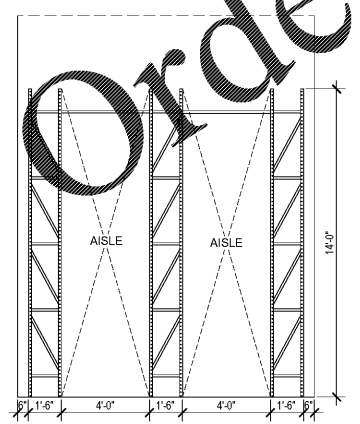
TIRE STORAGE - CROSS SECTION A4
SCALE: 1/4" = 1'-0"



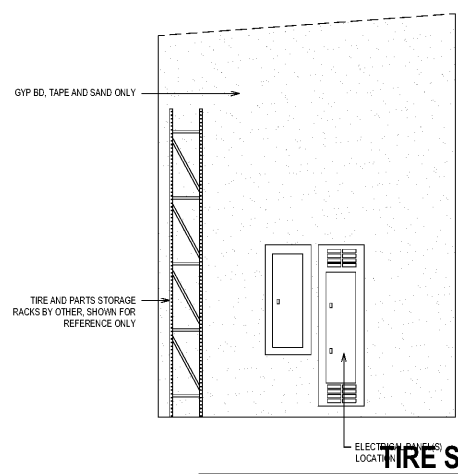
TIRE STORAGE - WEST A3
SCALE: 1/4" = 1'-0"



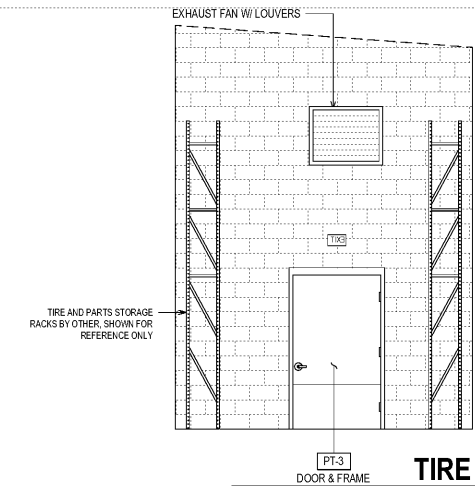
TIRE STORAGE - EAST A2
SCALE: 1/4" = 1'-0"



TIRE STORAGE - CROSS SECTION C1
SCALE: 1/4" = 1'-0"



TIRE STORAGE - NORTH B1
SCALE: 1/4" = 1'-0"



TIRE STORAGE - SOUTH A1
SCALE: 1/4" = 1'-0"

PROTOTYPE TEMPLATE:
NORTHLAKE
v.2020.1.08.TKD

PROJECT INFORMATION:

TIRE KINGDOM
STORE # 945
10520 COLONIAL BLVD
FT MEYERS, LEE COUNTY, FLORIDA

95% REVIEW SET
18 AUGUST 2020

PROJECT NO.: 2020-095
DRAWN BY: BMT
CHECKED BY: EKB

ISSUE	DATE
PERMIT PLAN REVIEW	11-AUG-2020

REVISION	DATE

SHEET TITLE:
INTERIOR ELEVATIONS

SHEET NUMBER:

A-404