

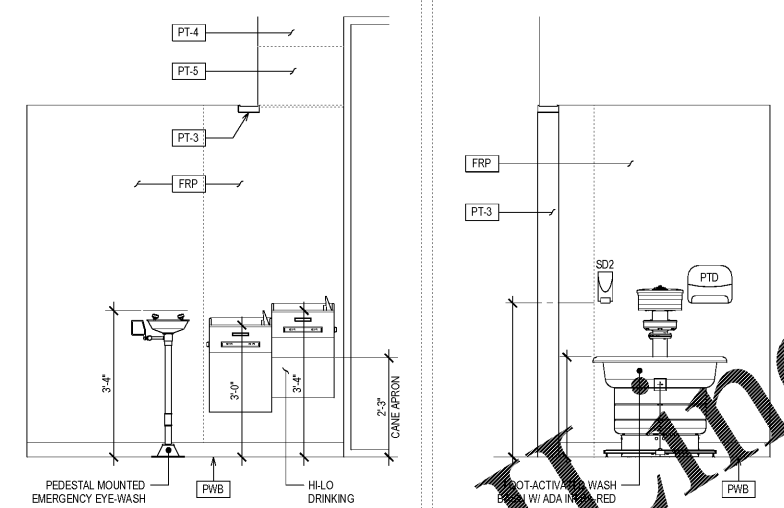
### RESTROOM NOTES

- SEE PLUMBING PLANS FOR PLUMBING FIXTURE SCHEDULES.
- ALL TOILET ACCESSORIES TO BE FURNISHED AND INSTALLED BY GC U.N.O.
- ANY LOCAL OR STATE VARIATIONS TO STANDARDS SHOWN SHALL SUPERSEDE THESE REQUIREMENTS. GC MUST COMPLY IF REQUESTED BY AHJ.
- PROVIDE FRT BLOCKING N WALLS AT ALL ACCESSORIES AND GRAB BARS PER MANUFACTURER RECOMMENDATIONS.
- SEE ALSO SHEET G-003 FOR ADDITIONAL ACCESSIBILITY REQUIREMENTS.
- ABBREVIATIONS:

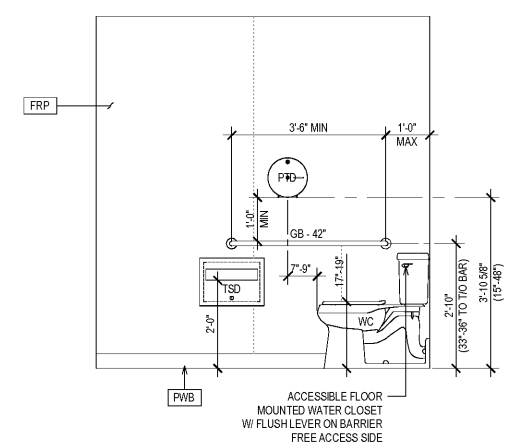
ADA	ACCESSIBLE FIXTURE
BCS	BEHAVIOR CHANGING STATION
CH	COAT HOOK
DF	DRINKING FOUNTAIN
EWC	ELECTRIC WATER COOLER
FD	FLOOR DRAIN
FRP	FIBERGLASS REINFORCED PANEL
GB	GRAB BAR
GWB	GYPSON WALL BOARD
LAV	ACCESSIBLE LAVATORY W/ LEVER FAUCETS
M	MIRROR (M1 - W/ FRAME, M2 - FRAMELESS)
MOP	MOP (FLOOR) SINK
MTB	METAL TILE BAND
MWB	METAL COVERED WALL BASE
PTD	PAPER TOWEL DISPENSER
PWB	PVC WALL BASE
SD	SOAP DISPENSER
SD2	SOAP DISPENSER - INDUSTRIAL
TPD	TOILET PAPER DISPENSER
TSD	TOILET SEAT COVER DISPENSER
WB	WALL BOARD
WB	WALL BOARD
WC	WATER CLOSET

### TOILET ACCESSORIES

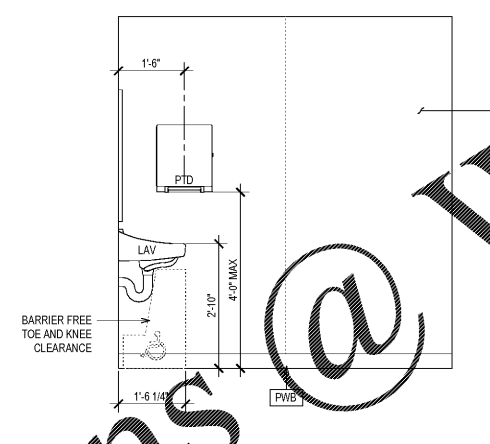
TAG	MANUFACTURER	PRODUCT SPECIFICATION	QTY
BCS	BRADLEY	MODEL 99211	1
CH	BOBRICK	5-233 (RESTROOMS - MGR OFFICE)	3
GB	BOBRICK	5-8008.09 X 36" X 42"	2 SETS
M1	BOBRICK	5-185 2438	1
M2	BRADLEY	747	1
PTD	BY TENANT	SEMI-RECESSED - 9" ROLL AUTOMATIC	3
SD	SPARTAN CHEMICAL	LITEN FOMY 97500 WHITE	2
SD2	DEB STOKO	CLEANSE HEAVY 4000 HYVALDR	1
TPD	BY TENANT	SURFACE MOUNTED - 9" ROLL	2
TSD	BOBRICK (OR EQ)	5-3113	2



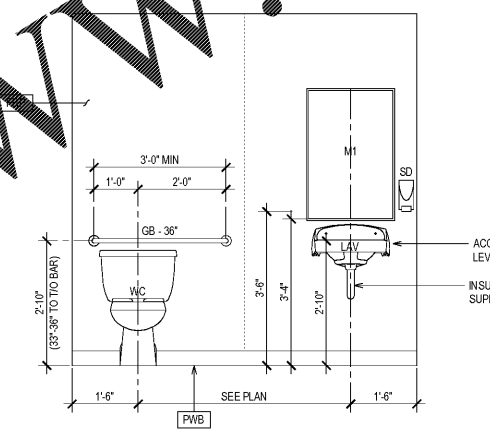
WASH AREA - NORTH B3 SCALE: 1/2" = 1'-0"  
WASH AREA - SOUTH A3 SCALE: 1/2" = 1'-0"



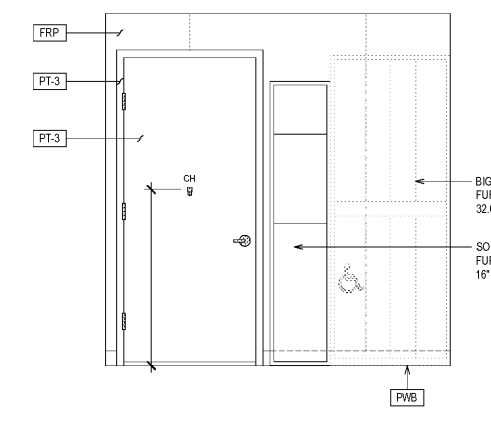
EMPLOYEE RESTROOM - WEST D2 SCALE: 1/2" = 1'-0"



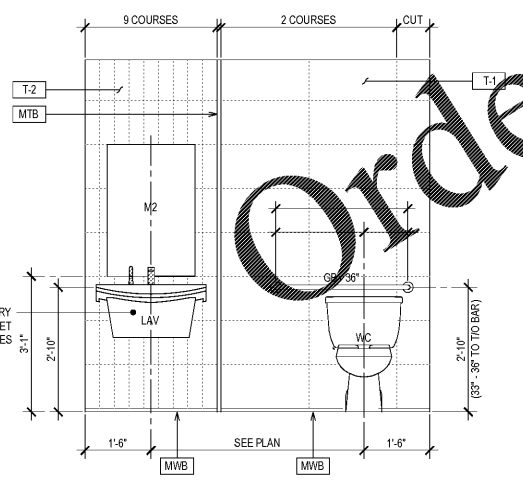
EMPLOYEE RESTROOM - EAST C2 SCALE: 1/2" = 1'-0"



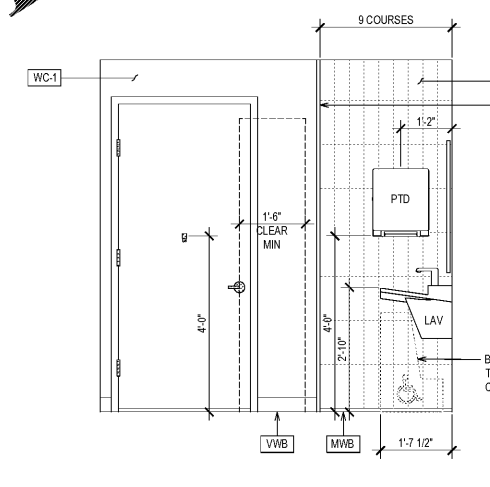
EMPLOYEE RESTROOM - NORTH B2 SCALE: 1/2" = 1'-0"



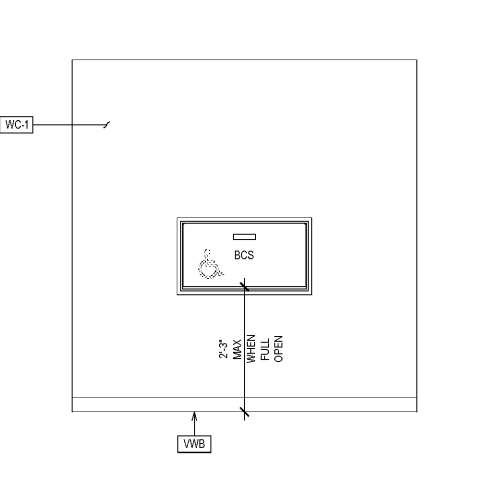
EMPLOYEE RESTROOM - SOUTH A2 SCALE: 1/2" = 1'-0"



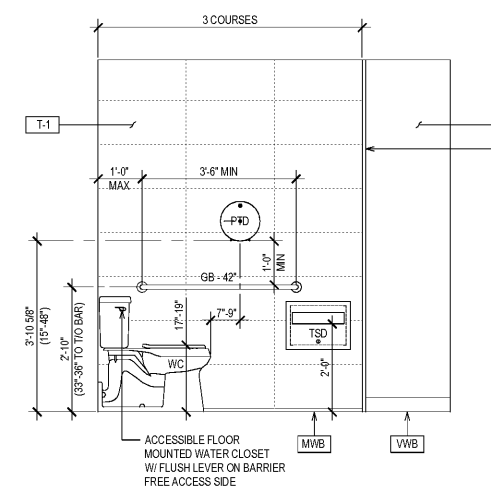
CUSTOMER RESTROOM - SOUTH D1 SCALE: 1/2" = 1'-0"



CUSTOMER RESTROOM - EAST C1 SCALE: 1/2" = 1'-0"



CUSTOMER RESTROOM - NORTH B1 SCALE: 1/2" = 1'-0"



CUSTOMER RESTROOM - WEST A1 SCALE: 1/2" = 1'-0"

PROTOTYPE TEMPLATE:  
**NORTHLAKE**  
v.2020.1.08.TKD

PROJECT INFORMATION:

**TIRE KINGDOM.**  
STORE # 945  
10520 COLONIAL BLVD  
FT MEYERS, LEE COUNTY, FLORIDA

95% REVIEW SET  
18 AUGUST 2020

PROJECT NO.: 2020-0955  
DRAWN BY: BMT  
CHECKED BY: EKB

ISSUE DATE  
PERMIT PLAN REVIEW 11-AUG-2020

REVISION DATE

SHEET TITLE:  
**INTERIOR ELEVATIONS**

SHEET NUMBER:  
**A-401**