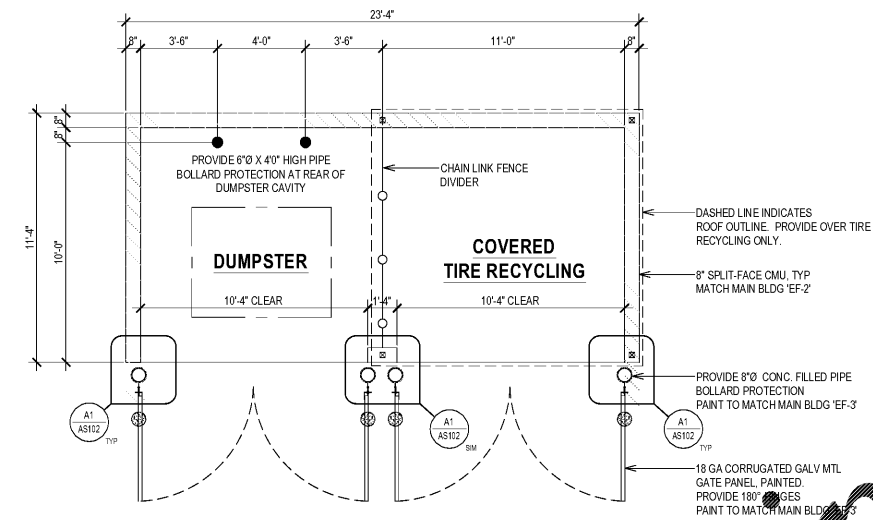
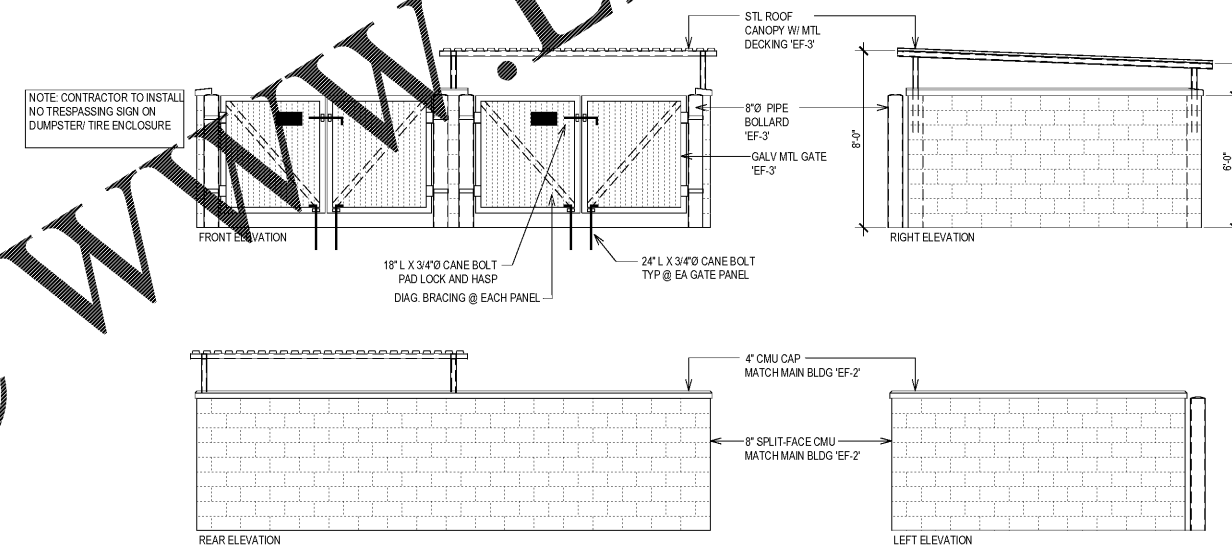


NOTES

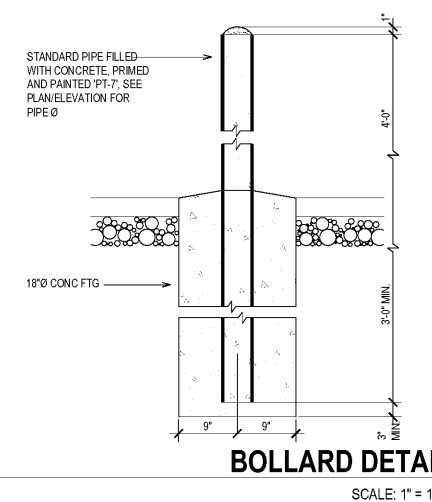
1. FIELD COORDINATE DUMPSTER ENCLOSURE / TIRE CORRAL LOCATION PER CIVIL PLANS.
2. REFER TO EXTERIOR ELEVATIONS SHEET A-201 FOR MAIN BUILDING EXTERIOR.



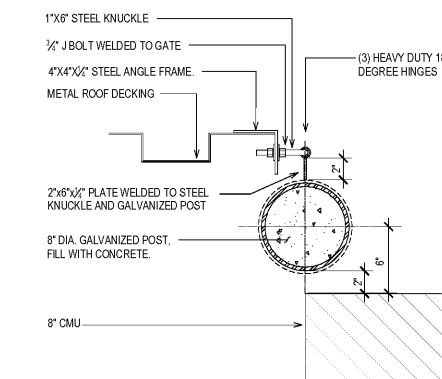
DUMPSTER ENCLOSURE PLAN B3
SCALE: 1/4" = 1'-0"



DUMPSTER ENCLOSURE ELEVATIONS A2
SCALE: 1/4" = 1'-0"



BOLLARD DETAIL B1
SCALE: 1" = 1'-0"



GATE HINGE DETAIL A1
SCALE: 1 1/2" = 1'-0"

Order Plans @ WWW.LDLINE.COM

PROTOTYPE TEMPLATE:

NORTHLAKE
v.2020.1.08.TKD

PROJECT INFORMATION:

TIRE KINGDOM.
STORE # 945
10520 COLONIAL BLVD
FT MEYERS, LEE COUNTY, FLORIDA

95% REVIEW SET
18 AUGUST 2020

PROJECT NO.: 2020-095

DRAWN BY: BMT
CHECKED BY: EKB

ISSUE DATE
PERMIT PLAN REVIEW 11-AUG-2020

REVISION DATE

SHEET TITLE:
DUMPSTER ENCLOSURE

SHEET NUMBER:

AS102