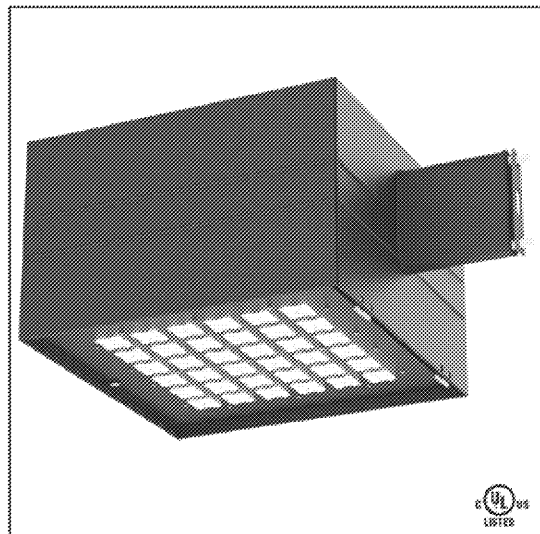


# American LED Specifications



Project Name: \_\_\_\_\_

Design Number: \_\_\_\_\_

Type: \_\_\_\_\_

The new **American LED** Luminaire from Visionaire combines contemporary design with new LED technology, while maintaining a traditional fixture image. The LEDs Performance and Life are maximized by the unique integral aluminum heat sink built into the door frame. Maintenance of the drivers is simplified by making them easily accessible and provided with quick wiring connections.

72, 144 or 224 LEDs are available in 350 or 500 mA rating providing up to 42,000 lumens. Seven optical distribution patterns are available and feature a unique Type T-4A automotive pattern for the front row of auto dealerships. Choose between 3000, 4000 or 5000 Kelvin temperature of the LEDs. The **American LED** series is an exceptional choice for auto dealerships, shopping centers, commercial parking lots and general parking area lighting.

## Ordering Information

MODEL	OPTICS	LEDS	CURRENT	KELVIN	VOLTAGE	MOUNTING	FINISH	OPTIONS	OPTIONS
AME-2-L	T1 Type 1	72LC	3 350mA	3K 3000K	UNV 120-277V	KM Knuckle Mount	GY Grey	PCR-120 PhotoCell & Receptacle	VWC Visionaire Wireless Controls *Consult Factory
	T2 Type 2	144LC	5 500mA	4K 4000K	8 047V	BOA6 6" Bolt-On Arm	SL Silver Metallic	PCR-208 PhotoCell & Receptacle	WSC-8 Motion Sensor 8" Mounting Height
	T3 Type 3			5K 5000K	5 480V	BOA10 10" Bolt-On Arm	BK Black	PCR-240 PhotoCell & Receptacle	WSC-20 Motion Sensor 20" Mounting Height
AME-4-L	T4 Type 4	224LC				WM Wall Mount *Cast Wall Plate (BAWP) to be ordered separately.	SBK Smooth Black	PCR-277 PhotoCell & Receptacle	WSC-40 Motion Sensor 40" Mounting Height
	T4A Type 4 Automotive					WH White	SWH Smooth White	PER 2 Pin Photo Receptacle with wiring cap	WSC-20 Motion Sensor 20" Mounting Height
	T5 Type 5					BAWP Cast Wall Plate	SWH Smooth White	7PINPER 7 Pin Photo Receptacle with wiring cap	WSC-40 Motion Sensor 40" Mounting Height
	T5W Type 5 Wide					SM Spider Mount *Fix 2 5/8" O.D. Pipe	CC Custom Color	7PINPER 7 Pin Photo Receptacle with wiring cap	WSC-40 Motion Sensor 40" Mounting Height
						RPP Ratchet Plate *Fix 2 5/8" O.D. Pipe	CC Custom Color	7PINPER 7 Pin Photo Receptacle with wiring cap	WSC-40 Motion Sensor 40" Mounting Height
					UPMA-R Universal Round Pole Mount Adaptor			DIM 0-10v Dimming Driver *No Controls	PC-277 Button Type PhotoCell



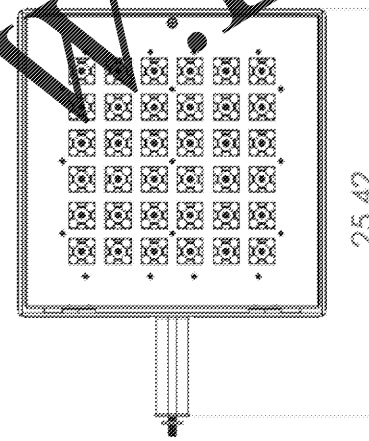
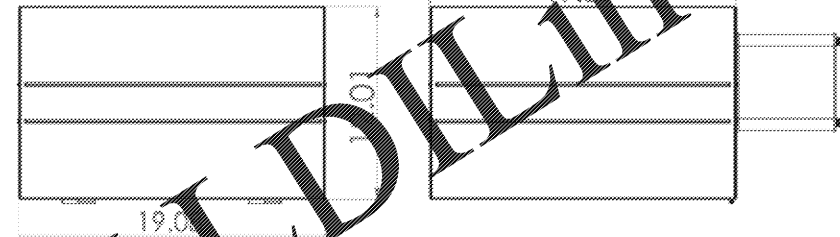
# American LED Specifications

## Photometric Optical Summary

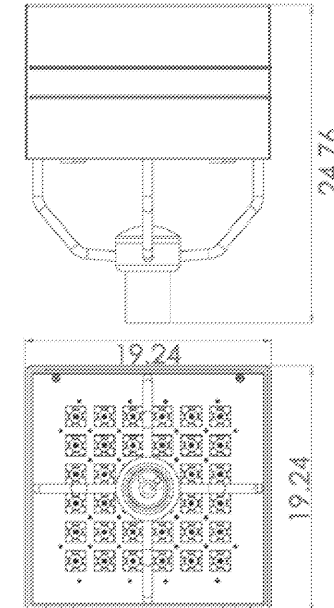


Fixture with Arm	American EPA Data							WEIGHT
	T1	T2	T3	T4A	T4	T5	T5W	
AME-2	2.2	4.0	4.4	6.0	5.1	7.0	2.0	29 lbs.
AME-4	3.4	6.2	6.6	9.2	7.8	10.8	3.9	68 lbs.

## American - Arm Mount



## American - Post Top



### NOTES:

1. FIXTURES ARE TO BE VISIONAIRE AMERICAN LED SERIES, 115 WATT LED, MOUNTED AT 30 FEET AS SHOWN ON PLAN.
2. POLES SHALL BE DIRECT BURIAL OR FOUNDATION TO BE DESIGNED BY OTHERS.