

Customer Name: Georgia Mountain Health  
 Reference: Super Friendly Dental Preference using existing EQ  
 Quote #: WQBEV000955-2

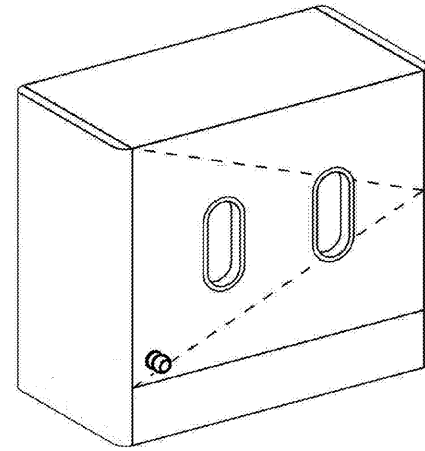


Customer Name: Georgia Mountain Health  
 Reference: Super Friendly Dental Preference using existing EQ  
 Quote #: WQBEV000955-2



**Visual Document**

Line	Item	Label
6	5730	Right Hinge

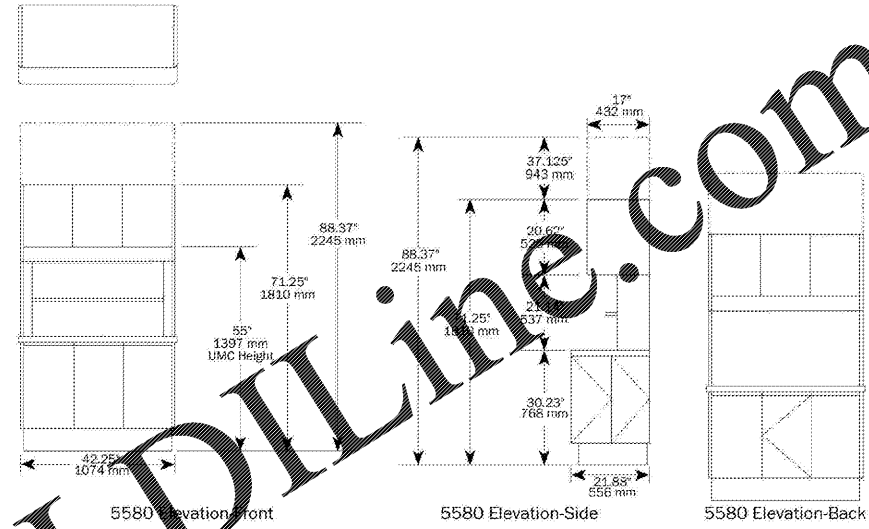


View 1

This written material is not intended to be, and should not be, used as a substitute for the compliance with local, state, federal code and Americans with Disabilities Act. It is the responsibility of the user to integrate the A-dec equipment specifications presented herein with the regulations and codes overseen by local planning and inspection authorities. A-dec, Inc. shall not be held liable for any errors contained herein or any consequential or other damages concerning the furnishings, performance or use of this material. The information in this document is subject to change without notice. If you find any problems with this document, please report them to us in writing.

**Technical Document**

Line	Item	Label
1	5580	Treatment



This written material is not intended to be, and should not be, used as a substitute for the compliance with local, state, federal code and Americans with Disabilities Act. It is the responsibility of the user to integrate the A-dec equipment specifications presented herein with the regulations and codes overseen by local planning and inspection authorities. A-dec, Inc. shall not be held liable for any errors contained herein or any consequential or other damages concerning the furnishings, performance or use of this material. The information in this document is subject to change without notice. If you find any problems with this document, please report them to us in writing.

Customer Name: Georgia Mountain Health  
 Reference: Super Friendly Dental Preference using existing EQ  
 Quote #: WQBEV000955-2



Customer Name: Georgia Mountain Health  
 Reference: Super Friendly Dental Preference using existing EQ  
 Quote #: WQBEV000955-2

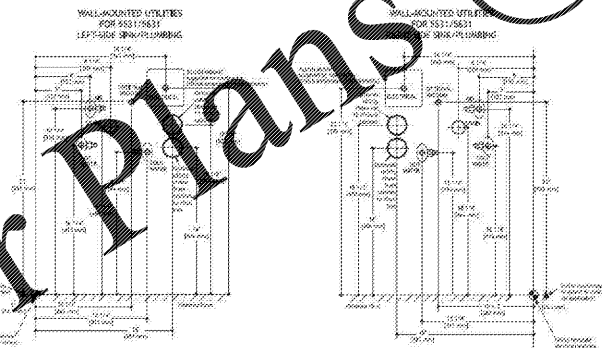


**Technical Document**

Line	Item	Label
3	5531	Treatment - Right Sink
4	5532	Treatment - Left Sink
13	5533	Hyg

**5531 and 5532  
 Wall-Mounted Utilities**

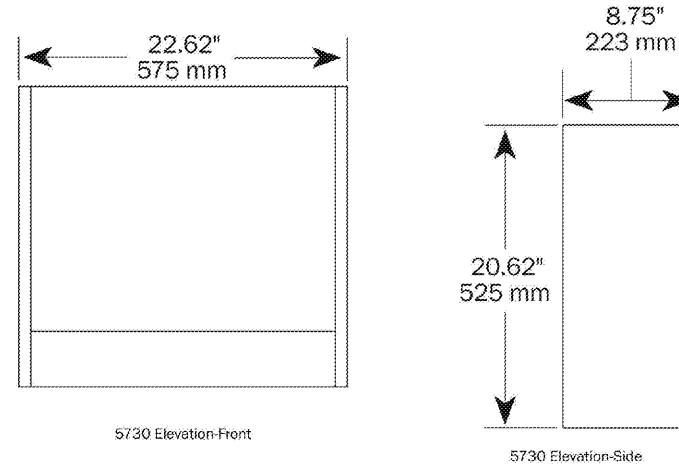
Figure 24. Templates and Utilities - 5531 and 5532 Wall-Mounted Utilities



This written material is not intended to be, and should not be, used as a substitute for the compliance with local, state, federal code and Americans with Disabilities Act. It is the responsibility of the user to integrate the A-dec equipment specifications presented herein with the regulations and codes overseen by local planning and inspection authorities. A-dec, Inc. shall not be held liable for any errors contained herein or any consequential or other damages concerning the furnishings, performance or use of this material. The information in this document is subject to change without notice. If you find any problems with this document, please report them to us in writing.

**Technical Document**

Line	Item	Label
5	5730	Left Hinge
6	5730	Right Hinge
14	5730	Left Hinge



This written material is not intended to be, and should not be, used as a substitute for the compliance with local, state, federal code and Americans with Disabilities Act. It is the responsibility of the user to integrate the A-dec equipment specifications presented herein with the regulations and codes overseen by local planning and inspection authorities. A-dec, Inc. shall not be held liable for any errors contained herein or any consequential or other damages concerning the furnishings, performance or use of this material. The information in this document is subject to change without notice. If you find any problems with this document, please report them to us in writing.

PROJECT: GEORGIA MOUNTAINS HEALTH

LOCATION: ELLIJAY, GA.

HENRY SCHEIN REP: JOE WILSON

CENTER: ATLANTA, GA.

PHONE #: (404)-226-8821

**IMPORTANT NOTE:**  
 THIS DOCUMENT HAS BEEN PREPARED AS AN INSTRUMENT OF PROFESSIONAL SERVICE AND IS NOT AN ARCHITECTURAL PLAN. THE IDEAS/DESIGN INCLUDED HEREIN ARE THE SOLE PROPERTY OF HENRY SCHEIN DENTAL AND ARE PROTECTED UNDER COPYRIGHT. THESE PLANS MAY NOT BE USED OR REPRODUCED WITHOUT EXPRESSED WRITTEN CONSENT OF HENRY SCHEIN AND FULL PAYMENT OF ANY ASSOCIATED DESIGN FEES.  
**ALL DIMENSIONS ARE SUBJECT TO JOB-SITE VERIFICATION.**

PROJECT NUMBER: 20-0565

PROJECT START DATE: 4/3/2020

FINALS START DATE: 7/9/2020

DRAWN BY: ARCH

FINALS BY: TJK

CHECKED BY: LBS

REVISIONS:

NO.	DATE	DESCRIPTION
1		
2		
3		
4		
5		
6		
7		
8		
9		
10		

INT.SQ.FT.= PER ARCH

SCALE: N/A

SHT. SIZE: 24 x 36

DENTAL CABINET

DRAWINGS

DDC.5

© 2020 by HENRY SCHEIN, INC.