

Customer Name: Georgia Mountain Health  
 Reference: Super Friendly Dental Preference using  
 existing EQ  
 Quote #: WQBEV000955-2

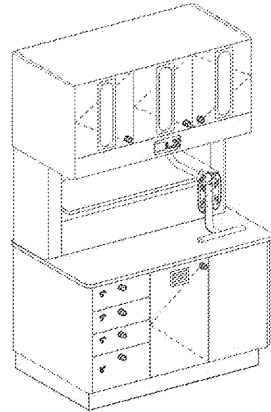


Customer Name: Georgia Mountain Health  
 Reference: Super Friendly Dental Preference using  
 existing EQ  
 Quote #: WQBEV000955-2



Visual Document

Line	Item	Label
1	5580	Treatment

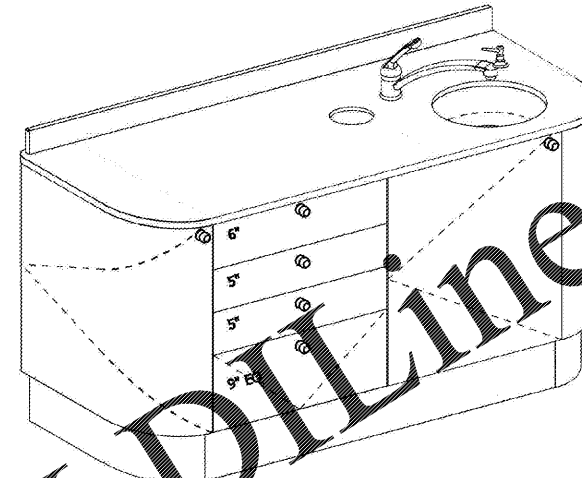


View 1

This written material is not intended to be, and should not be, used as a substitute for the compliance with local, state, federal code and Americans with Disabilities Act. It is the responsibility of the user to integrate the A-dec equipment specifications presented herein with the regulations and codes overseen by local planning and inspection authorities. A-dec, Inc. shall not be held liable for any errors contained herein or any consequential or other damages concerning the furnishings, performance or use of this material. The information in this document is subject to change without notice. If you find any problems with this document, please report them to us in writing.

Visual Document

Line	Item	Label
3	5531	Treatment - Right Sink



Treatment Room

This written material is not intended to be, and should not be, used as a substitute for the compliance with local, state, federal code and Americans with Disabilities Act. It is the responsibility of the user to integrate the A-dec equipment specifications presented herein with the regulations and codes overseen by local planning and inspection authorities. A-dec, Inc. shall not be held liable for any errors contained herein or any consequential or other damages concerning the furnishings, performance or use of this material. The information in this document is subject to change without notice. If you find any problems with this document, please report them to us in writing.

Customer Name: Georgia Mountain Health  
 Reference: Super Friendly Dental Preference using  
 existing EQ  
 Quote #: WQBEV000955-2

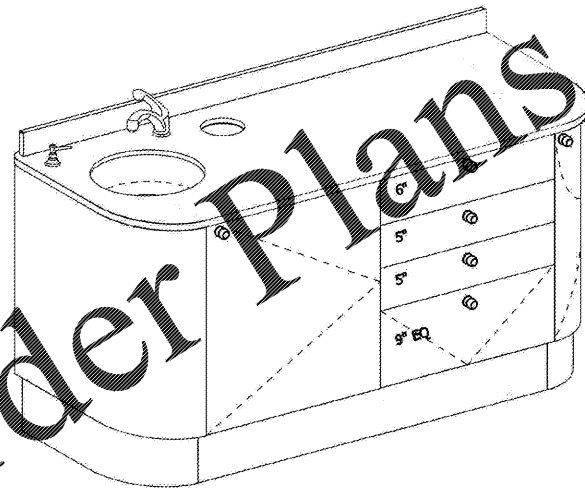


Customer Name: Georgia Mountain Health  
 Reference: Super Friendly Dental Preference using  
 existing EQ  
 Quote #: WQBEV000955-2



Visual Document

Line	Item	Label
4	5531	Treatment Left Sink

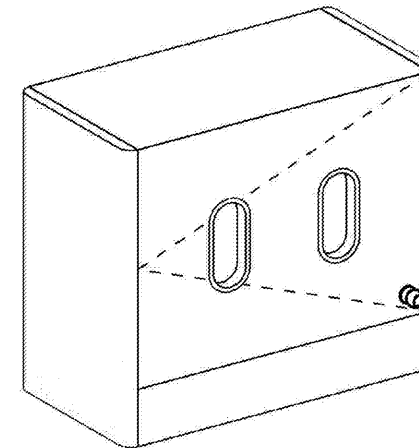


Treatment Room

This written material is not intended to be, and should not be, used as a substitute for the compliance with local, state, federal code and Americans with Disabilities Act. It is the responsibility of the user to integrate the A-dec equipment specifications presented herein with the regulations and codes overseen by local planning and inspection authorities. A-dec, Inc. shall not be held liable for any errors contained herein or any consequential or other damages concerning the furnishings, performance or use of this material. The information in this document is subject to change without notice. If you find any problems with this document, please report them to us in writing.

Visual Document

Line	Item	Label
5	5730	LoR Hinge



View 1

This written material is not intended to be, and should not be, used as a substitute for the compliance with local, state, federal code and Americans with Disabilities Act. It is the responsibility of the user to integrate the A-dec equipment specifications presented herein with the regulations and codes overseen by local planning and inspection authorities. A-dec, Inc. shall not be held liable for any errors contained herein or any consequential or other damages concerning the furnishings, performance or use of this material. The information in this document is subject to change without notice. If you find any problems with this document, please report them to us in writing.

PROJECT: GEORGIA MOUNTAINS HEALTH

LOCATION: ELLIJAY, GA.

HENRY SCHEIN REP: JOE WILSON

CENTER: ATLANTA, GA.

PHONE #: (404)-226-8821

**-IMPORTANT NOTE-**  
 THIS DOCUMENT HAS BEEN PREPARED AS AN INSTRUMENT OF PROFESSIONAL SERVICE AND IS NOT AN ARCHITECTURAL PLAN. THE IDEAS/ DESIGN INCLUDED HEREIN ARE THE SOLE PROPERTY OF HENRY SCHEIN DENTAL AND ARE PROTECTED UNDER COPYRIGHT. THESE PLANS MAY NOT BE USED OR REPRODUCED WITHOUT EXPRESSED WRITTEN CONSENT OF HENRY SCHEIN AND FULL PAYMENT OF ANY ASSOCIATED DESIGN FEES.  
**ALL DIMENSIONS ARE SUBJECT TO JOB-SITE VERIFICATION.**

PROJECT NUMBER: 20-0565

PROJECT START DATE: 4/3/2020

FINALS START DATE: 7/9/2020

DRAWN BY: ARCH  
 FINALS BY: TJK  
 CHECKED BY: LBS

REVISIONS:

NO.	DATE	DESCRIPTION

INT.SQ.FT.= PER ARCH

SCALE: N/A SHT. SIZE: 24 x 36

DENTAL CABINET DRAWINGS

DDC.4