

Customer Name: Georgia Mountain Health  
 Reference: Super Friendly Dental Preference using  
 Quote #: existing EQ  
 WQBEV000955-2



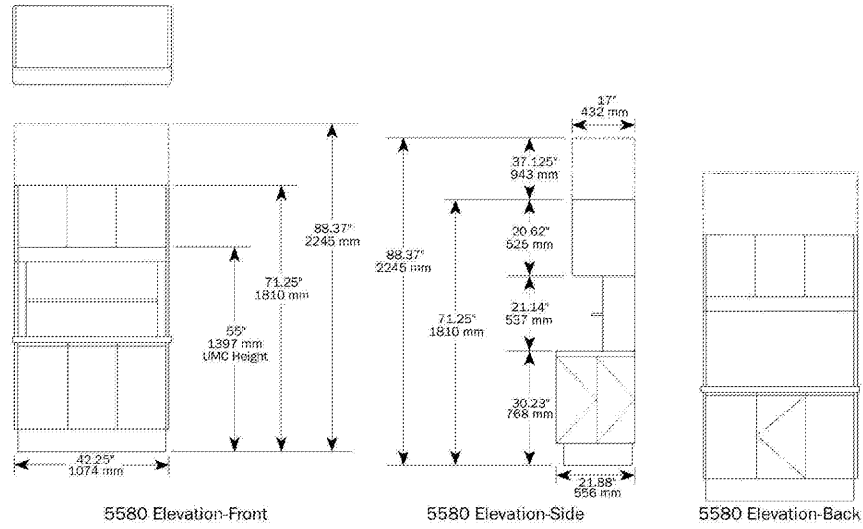
Customer Name: Georgia Mountain Health  
 Reference: Super Friendly Dental Preference using  
 Quote #: existing EQ  
 WQBEV000955-2



Technical Document

Affected Line Items

Line	Item	Label
12	5580	Hyg



This written material is not intended to be, and should not be, used as a substitute for the compliance with local, state, federal code and Americans with Disabilities Act. It is the responsibility of the user to integrate the A-dec equipment specifications presented herein with the regulations and codes overseen by local planning and inspection authorities. A-dec, inc. shall not be held liable for any errors contained herein or any consequential or other damages concerning the furnishings, performance or use of this material. The information in this document is subject to change without notice. If you find any problems with this document, please report them to us in writing.

Customer Name: Georgia Mountain Health  
 Reference: Super Friendly Dental Preference using  
 Quote #: existing EQ  
 WQBEV000955-2



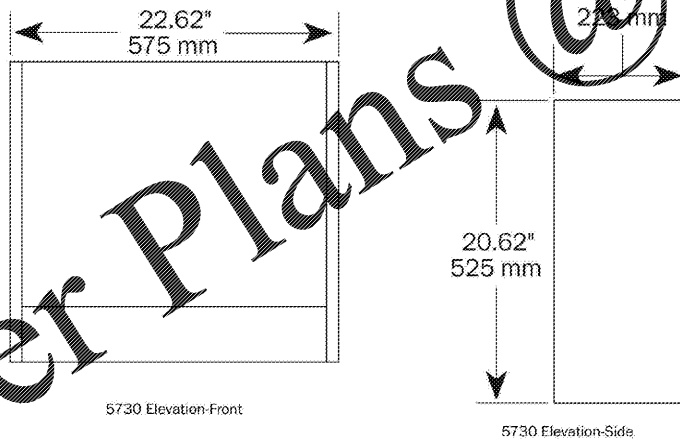
Customer Name: Georgia Mountain Health  
 Reference: Super Friendly Dental Preference using  
 Quote #: existing EQ  
 WQBEV000955-2



Technical Document

Affected Line Items

Line	Item	Label
5	5730	Left Hinge
6	5730	Right Hinge
14	5730	Left Hinge



This written material is not intended to be, and should not be, used as a substitute for the compliance with local, state, federal code and Americans with Disabilities Act. It is the responsibility of the user to integrate the A-dec equipment specifications presented herein with the regulations and codes overseen by local planning and inspection authorities. A-dec, inc. shall not be held liable for any errors contained herein or any consequential or other damages concerning the furnishings, performance or use of this material. The information in this document is subject to change without notice. If you find any problems with this document, please report them to us in writing.

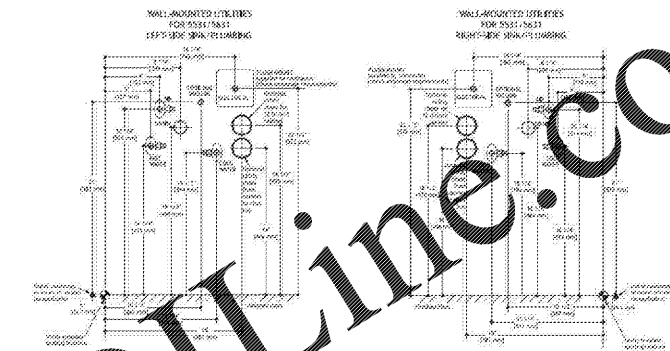
Technical Document

Affected Line Items

Line	Item	Label
3	5531	Treatment - Right Sink
4	5531	Treatment - Left Sink
13	5531	Hyg

5531 and 5631  
 Wall-Mounted Utilities

Figure 24 - Templates and Utilities - 5531 and 5631 Wall-Mounted Utilities



This written material is not intended to be, and should not be, used as a substitute for the compliance with local, state, federal code and Americans with Disabilities Act. It is the responsibility of the user to integrate the A-dec equipment specifications presented herein with the regulations and codes overseen by local planning and inspection authorities. A-dec, inc. shall not be held liable for any errors contained herein or any consequential or other damages concerning the furnishings, performance or use of this material. The information in this document is subject to change without notice. If you find any problems with this document, please report them to us in writing.

Technical Document

Affected Line Items

Line	Item	Label
5	5730	Left Hinge
6	5730	Right Hinge
14	5730	Left Hinge

5730 Dispenser Unit or 5731 Storage Unit

**WARNING** The 22" (559.6 mm) (22" (559.6 mm) or 20 3/8" (519.3 mm) wide) must be secured to the wall directly to wall studs in two locations (see Figure 12).

For 22" (559.6 mm) (22" (559.6 mm) or 20 3/8" (519.3 mm) wide) units, you must secure the anchor strap directly to wall studs in a minimum of three locations (see Figure 12). If the ends of the anchor strap are more than 10" (254 mm) from a direct stud attachment, you must install an additional toggle-bolt anchor to attach the anchor strap to the gypsum wallboard. Bolt the additional toggle-bolt anchor by approximately 10" (254 mm) from the direct stud attachment point.

If you cannot locate the gypsum wallboard attachment points, you must change the anchor position on the wall (see Figure 12). Refer to page 2 for required connections.

Metal Studs

2-1/2" x 2" gyp stud  
 Top: 22" (559.6 mm), 20" (508 mm), 24" (609.6 mm), and 42" (1066.8 mm)  
 1-1/2" sections in stud range  
 Bottom: #9 x 2-1/2" S.D. screw in each stud

Wood Studs

5/8" or 3/4" x 2" x 6-1/2"  
 Top: #10 x 3" screw in each stud  
 Bottom: #10 x 3" screw in each stud

This written material is not intended to be, and should not be, used as a substitute for the compliance with local, state, federal code and Americans with Disabilities Act. It is the responsibility of the user to integrate the A-dec equipment specifications presented herein with the regulations and codes overseen by local planning and inspection authorities. A-dec, inc. shall not be held liable for any errors contained herein or any consequential or other damages concerning the furnishings, performance or use of this material. The information in this document is subject to change without notice. If you find any problems with this document, please report them to us in writing.

**IMPORTANT NOTE:**  
 THIS DOCUMENT HAS BEEN PREPARED AS AN INSTRUMENT OF PROFESSIONAL SERVICE AND IS NOT AN ARCHITECTURAL PLAN. THE IDEAS/DESIGN INCLUDED HEREIN ARE THE SOLE PROPERTY OF HENRY SCHEIN DENTAL AND ARE PROTECTED UNDER COPYRIGHT. THESE PLANS MAY NOT BE USED OR REPRODUCED WITHOUT EXPRESSED WRITTEN CONSENT OF HENRY SCHEIN AND FULL PAYMENT OF ANY ASSOCIATED DESIGN FEES.  
**ALL DIMENSIONS ARE SUBJECT TO JOB-SITE VERIFICATION.**

PROJECT NUMBER: 20-0565

PROJECT START DATE: 4/3/2020

FINALS START DATE: 7/9/2020

DRAWN BY: ARCH  
 FINALS BY: TJK  
 CHECKED BY: LBS

REVISIONS:

---/---/---	---
---/---/---	---
---/---/---	---
---/---/---	---
---/---/---	---
---/---/---	---
---/---/---	---
---/---/---	---
---/---/---	---
---/---/---	---

INT.SQ.FT. = PER ARCH

SCALE: N/A SH. SIZE: 24 x 36

DENTAL CABINET DRAWINGS

DDC.2