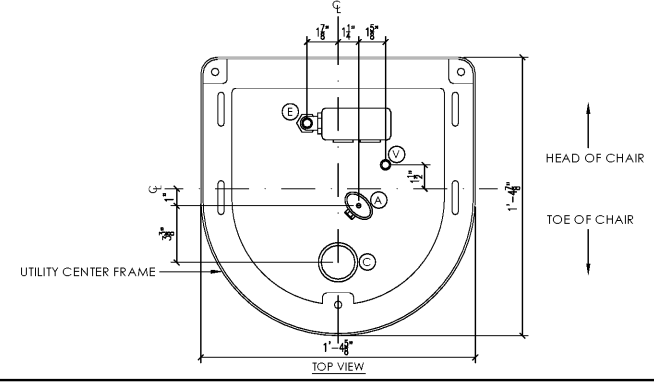


- COMPRESSED AIR: 1/2" SUPPLY LINE FROM COMPRESSOR BY PLUMBER. STUB-UP FROM FLOOR 1"-2". TERMINATE WITH 3/8" ANGLE VALVE. PRESSURE 100 PSI MAX.
- CENTRAL VACUUM: 5/8" RISER BY PLUMBER (SCH. 40 PVC OR TYPE M COPPER). TERMINATE 1'-2" A.F.F.
- ELECTRICAL: TWO GANG BOX & 115V DUPLEX OUTLET BY ELECTRICIAN. CHAIR MAX DRAW: 10A
- CHASE: GRAY ELECTRICAL PVC PIPE CHASE WITH PULL-STRING BY ELECTRICIAN (SEE SHEET DE.1 FOR SIZE & LOCATIONS). 6" MIN. RADIUS FOR ALL BENDS. STUB-UP FLUSH WITH SUB-FLOOR, MARK LOCATION AT FINISH.

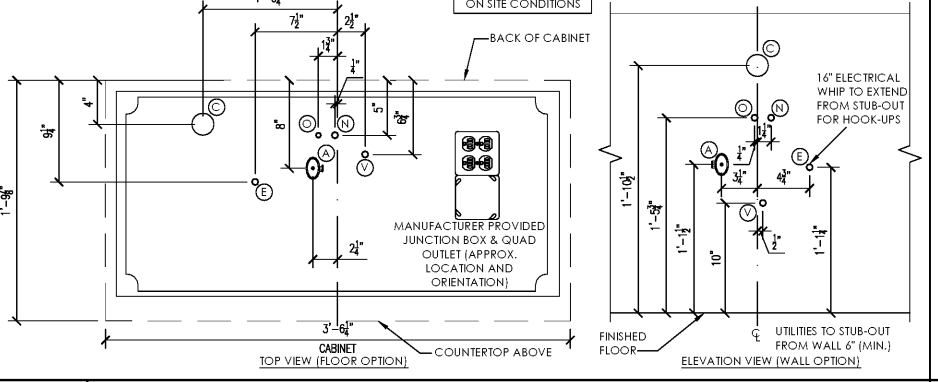
- NOTES:
- DETAIL PROVIDED FOR UTILITY REQUIREMENTS. REFER TO MANUFACTURER'S INSTALLATION GUIDE FOR ADDITIONAL INFORMATION. HENRY SCHEIN DENTAL EQUIPMENT SPECIALIST WILL PROVIDE INSTALLATION TEMPLATE UPON REQUEST.
 - INSTALLATION MUST CONFORM TO ALL LOCAL ELECTRICAL AND PLUMBING CODES.
 - ALL UTILITIES HEREIN TO BE SUPPLIED & INSTALLED BY LICENSED CONTRACTORS. FINAL CONNECTIONS TO EQUIPMENT BY HENRY SCHEIN DENTAL.
 - ALL UTILITIES MUST BE NO HIGHER THAN 4 1/2" A.F.F. AT FINISH.
 - ALL PLUMBED SYSTEMS MUST BE FLUSHED CLEAN OF ANY DEBRIS PRIOR TO EQUIPMENT INSTALLATION.



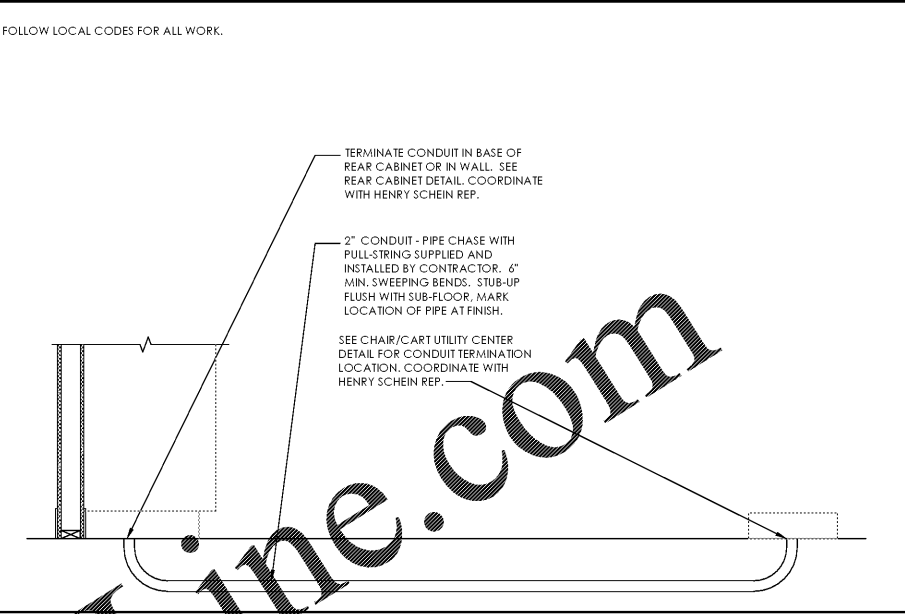
3A A-DEC 311, 411 CHAIR UTILITIES
NOT TO SCALE

- COMPRESSED AIR: 1/2" SUPPLY LINE FROM COMPRESSOR BY PLUMBER. STUB-UP FROM FLOOR 1"-2". TERMINATE WITH 3/8" ANGLE VALVE. PRESSURE 100 PSI MAX.
- CENTRAL VACUUM: 1/2" COPPER BRANCH LINE RISER BY PLUMBER. TERMINATE 1'-2" A.F.F.
- ELECTRICAL: 16" ELECTRICAL WHIP TERMINATED PER CODE FOR CONNECTION TO MANUFACTURER PROVIDED JUNCTION BOX.
- CHASE: GRAY ELECTRICAL PVC PIPE CHASE WITH PULL-STRING BY ELECTRICIAN (SEE SHEET DE.1 FOR SIZE & LOCATIONS). 6" MIN. RADIUS FOR ALL BENDS. STUB-UP FLUSH WITH SUB-FLOOR, MARK LOCATION AT FINISH.
- N₂O, O₂ SYSTEM CHECK VALVES: SEE DETAIL 7C FOR MORE INFORMATION. REQUEST VALVES FROM DENTAL DEALER EQUIPMENT REP FOR INSTALLATION DURING ROUGH-IN. ALL WORK BY ASSE 6010 CERTIFIED PLUMBER.

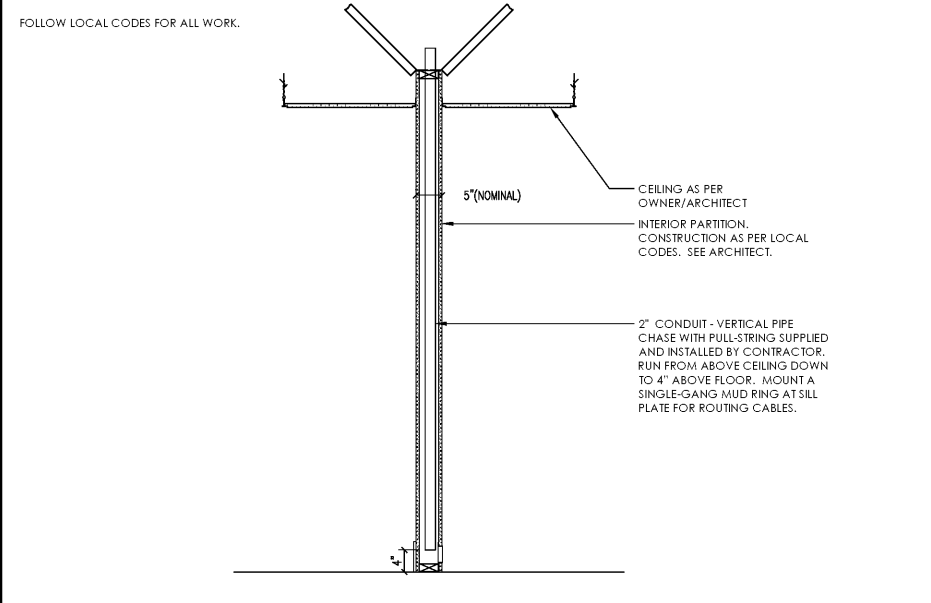
- NOTES:
- DETAIL PROVIDED FOR UTILITY REQUIREMENTS. REFER TO MANUFACTURER'S INSTALLATION GUIDE FOR ADDITIONAL INFORMATION. HENRY SCHEIN DENTAL REP WILL PROVIDE INSTALLATION TEMPLATE UPON REQUEST.
 - INSTALLATION MUST CONFORM TO ALL LOCAL ELECTRICAL AND PLUMBING CODES.
 - ALL UTILITIES HEREIN TO BE SUPPLIED & INSTALLED BY LICENSED CONTRACTORS. FINAL CONNECTIONS TO EQUIPMENT BY HENRY SCHEIN DENTAL.
 - ALL VALVES, BOXES AND PIPES FROM FLOOR MUST BE NO HIGHER THAN 5" A.F.F.
 - ALL PLUMBED SYSTEMS MUST BE FLUSHED CLEAN OF ANY DEBRIS PRIOR TO EQUIPMENT INSTALLATION.



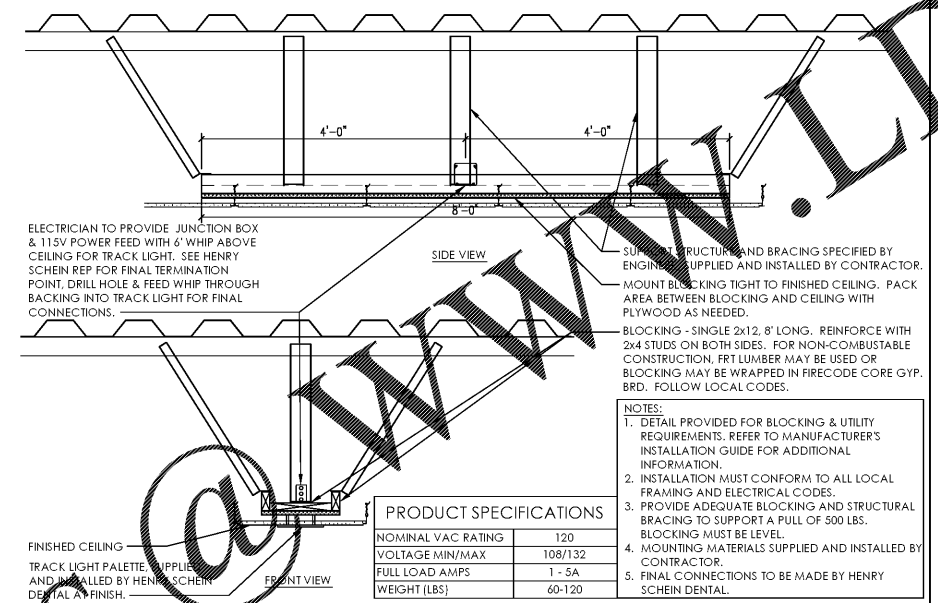
3A ADEC 5580 CABINET UTILITIES
NOT TO SCALE



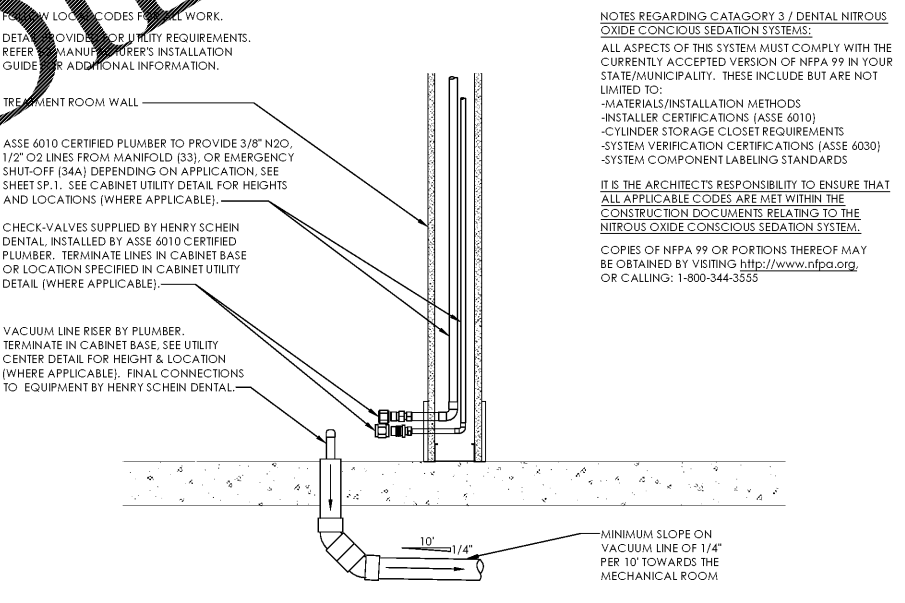
4A SUB-FLOOR CHASE
NOT TO SCALE



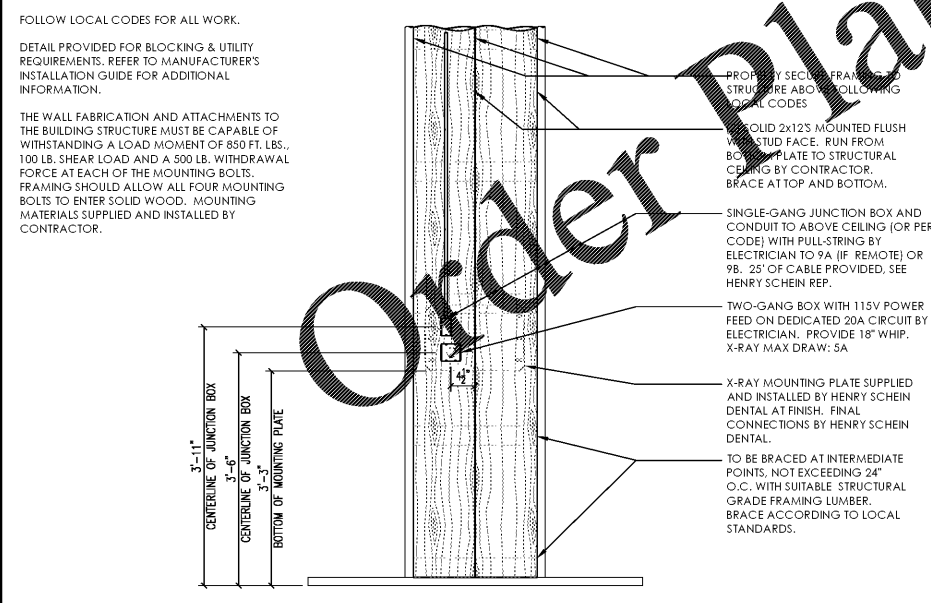
4B VERTICAL CHASE
NOT TO SCALE



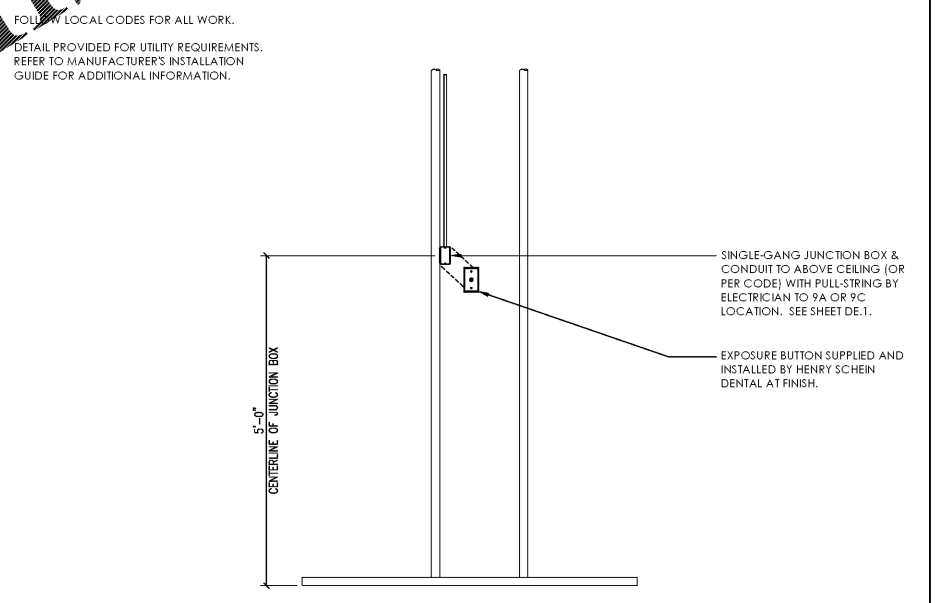
6 TYPICAL TRACK MOUNTED DENTAL LIGHT
NOT TO SCALE



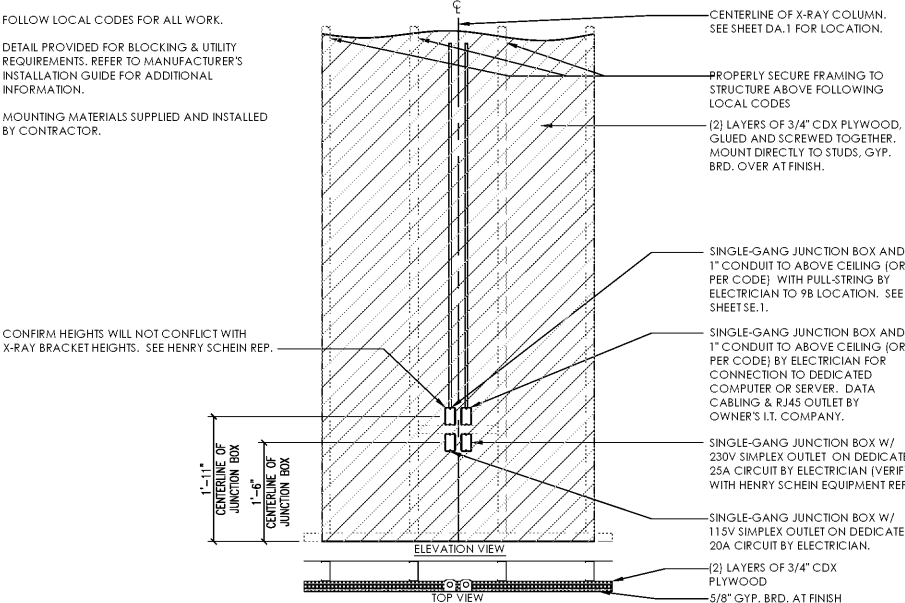
7C N₂O, O₂ SYSTEM TREATMENT ROOM TERMINATIONS
NOT TO SCALE



9 PROGENY PREVA X-RAY
3/4" = 1'-0"



9B X-RAY EXPOSURE BUTTON
NOT TO SCALE



9C PANORAMIC X-RAY
NOT TO SCALE