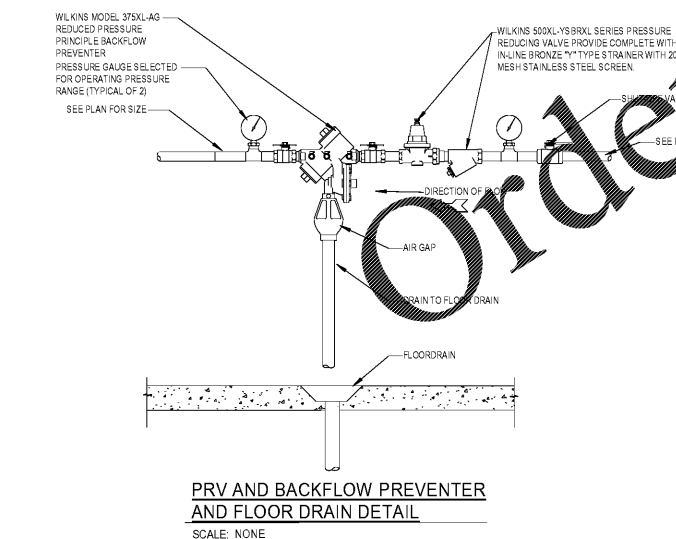


DRAINAGE FIXTURE UNITS			
FIXTURE TYPE	FIXTURE UNIT VALUE	NO. OF FIXTURES	TOTAL VALUE
DENTAL LAVATORY	1	8	8
LAUNDRY TRAY	2	1	2
LAVATORY (PUBLIC)	1	7	7
MOP SINK	5	2	10
FLOOR DRAIN	2	9	18
SERVICE SINK	2	24	48
WATER CLOSET	4	7	28
BASED ON 2018 IPC		DRAINAGE FIXTURE UNITS= 121 BUILDING DRAIN PIPE SIZE= 4"	

WATER SUPPLY FIXTURE UNITS					
FIXTURE	COLD	HOT	TOTAL	NO. OF FIXTURES	TOTAL VALUE
DENTAL LAVATORY	1.0	0	1.0	8	8
WASHING MACHINE (15 LB.)	3.0	3.0	4.0	1	4
LAVATORY (PUBLIC)	1.5	1.5	2.0	7	14
MOP SINK	2.25	2.25	3.0	2	6
SERVICE SINK	2.25	2.25	3.0	24	72
WATER CLOSET (PUBLIC, FLUSH VALVE)	10.0	0	10.0	7	70
ICE MAKER BOX	0.25	0	0.25	2	0.5
BASED ON 2018 IPC		WATER SUPPLY FIXTURE UNITS= 174.5 DOMESTIC WATER SUPPLY PIPE SIZE= 2" GALLONS PER MINUTE= 60 gpm			

WATER HAMMER ARRESTER SCHEDULE					
P.D.I. SYMBOL	MANUFACTURER	MODEL NO.	CONNECTION SIZE	FIXTURE UNIT RATING	REMARKS
"A"	ZURN	Z1700-100	3/4"	1-11	THREADED NIPPLE CONNECTION
"B"	ZURN	Z1700-200	1"	12-32	THREADED NIPPLE CONNECTION
"C"	ZURN	Z1700-300	1"	33-60	THREADED NIPPLE CONNECTION
RULE 1: THE PREFERRED PLACEMENT LOCATION IS AT THE END OF THE BRANCH LINE BETWEEN THE LAST TWO FIXTURES IN A BRANCH LESS THAN 20 FEET.					
RULE 2: IN LINES THAT EXCEED 20 FT. IN LENGTH, THE SUM OF THE FIXTURE UNIT RATINGS OF UNITS (X) & (Y) SHALL BE EQUAL TO OR GREATER THAN THE DEMAND OF BRANCH.					

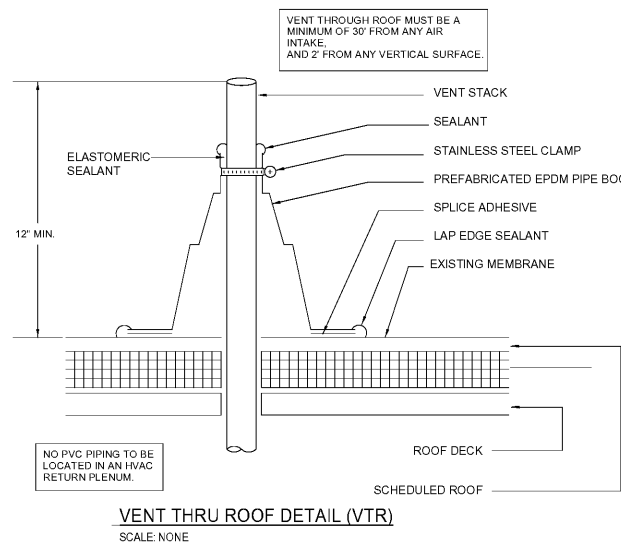
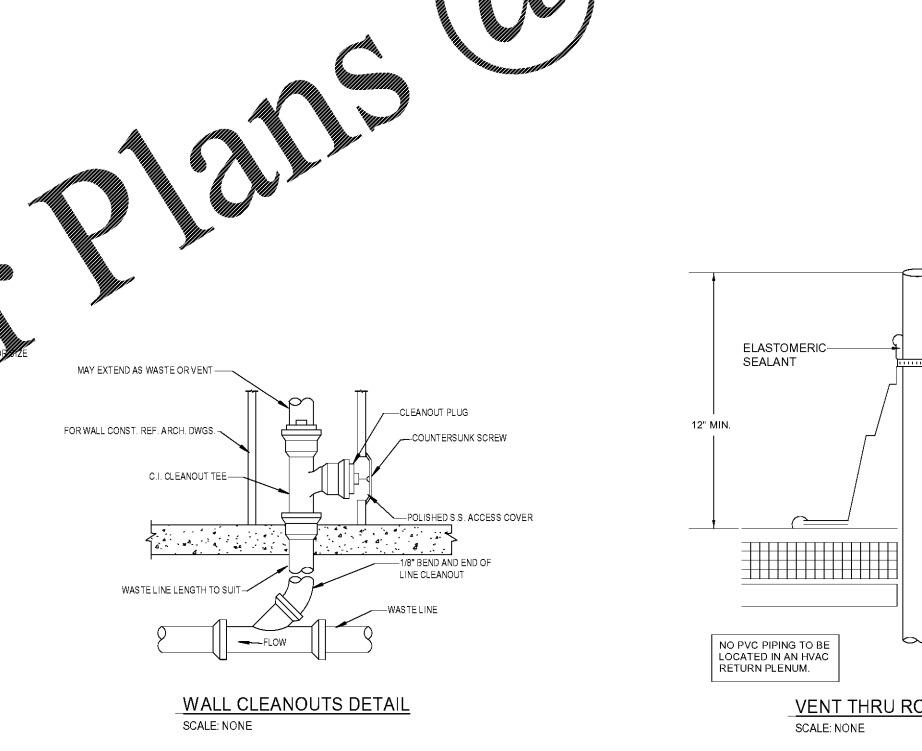


PIPE SCHEDULE	
DWV	PVC
DOMESTIC WATER PIPING	ALL UNDERGROUND DOMESTIC WATER PIPING SHALL BE TYPE K COPPER PIPE.
DOMESTIC WATER PIPING	ABOVE GROUND DOMESTIC WATER PIPING 2" AND LARGER SHALL BE TYPE K COPPER PIPE.
DOMESTIC WATER PIPING	ABOVE GROUND DOMESTIC WATER PIPING SMALLER THAN 2" SHALL BE TYPE K COPPER PIPE.

1. THE BASIS OF DESIGN FOR DOMESTIC WATER PIPE IS COPPER PIPE.
2. OTHER PIPE TYPES (AS LISTED ABOVE) MAY BE SUBSTITUTED FOR COPPER AT CONTRACTORS DISCRETION.
3. IF SUBSTITUTED PIPE IS PROVIDED THE CONTRACTOR SHALL HAVE THE MANUFACTURER RESIZE ALL PIPE TO EQUAL OR EXCEED THE FLOW VOLUME OF COPPER PIPE. THE PIPE SIZING MUST BE IN STRICT COMPLIANCE WITH MANUFACTURER'S PUBLISHED REQUIREMENTS.
4. COMPLY WITH ASTM F876/F877, NSF 61, 5006 CHLORINE RESISTANCE RATING AND 60 DAY MIN. UV RATING.
5. PIPING MUST BE SECURELY ANCHORED TO PREVENT MOVEMENT AND ENSURE NO PIPE IS WITHIN 6" OF ANY HEAT SOURCE, LIKE LIGHT FIXTURES.
6. FINAL CONNECTIONS MUST BE ANCHORED SO STOPS DO NOT MOVE.

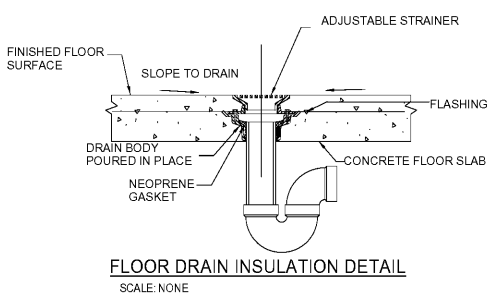
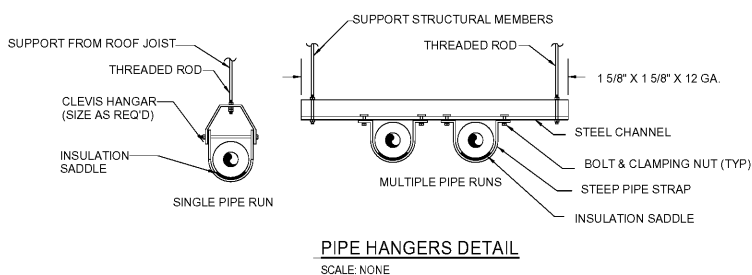
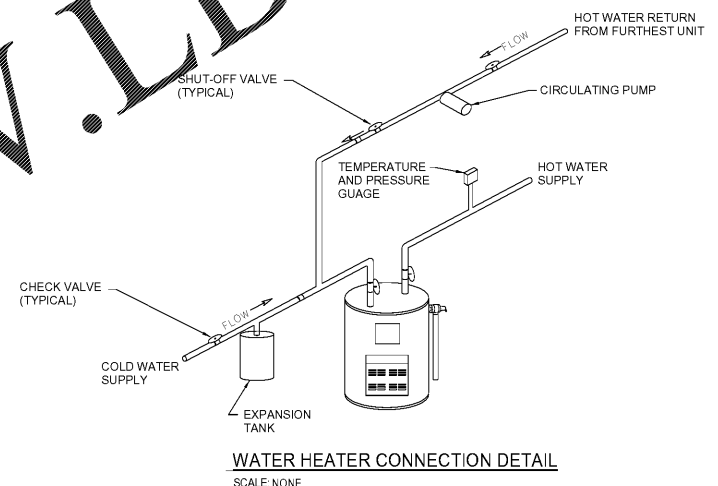
PLUMBING FIXTURE SCHEDULE				
MARK	MANUFACTURER	MODEL	DESCRIPTION	
DF1	ELKAY	EZSTL8LC	Elkay EZSTL8LC Refrigerated Drinking Fountain, Versatile Wall Mount Bi-Level, 8.0 GPH Water Cooler, ADA, Pushbar Controls on Front and Sides.	
FD1	ZURN	Z415-5B	6" ZURN FLOOR DRAIN WITH "TYPE B" ROUND STRAINER AND 6" ZURN FLOOR DRAIN WITH "TYPE B" ROUND STRAINER AND ZURN, Z1072 ZSHIELD BARRIER TRAP SEAL DEVICE.	
FPBH	Zurn Industries, LLC	Z1320XL	Ecotrol Ceramic Disc Wall Hydrant, Encased, Non-Freeze, Anti-Siphon, Automatic Draining	
HD	Zurn Industries, LLC	ZN415-3NH-6S-4-P	Body Assembly With "Type S" Strainer and ZURN, Z1072 ZSHIELD BARRIER TRAP SEAL DEVICE	
IMB	IFS Corporation	38490	Fire Rated 1/4 Turn Valve with 1/2" Sweat Connection / Arrester	
L1	ZURN	Z5360	20" X 18" WALL-HUNG LAVATORY WITH ZURN SINGLE HANDLE LAVATORY FAUCET WITH 0.5 GPM FLOW RESTRICTOR OUTLET SPRAY #Z8100-XL, (2) ZURN Z8804 STANDARD ANGLE STOPS, ZURN Z8743 STRAINER ZURN Z8700 P-TRAP AND ZURN ZW1070 MIXING VALVE TO BE SET IN FIELD BETWEEN 90"-105". VERIFY COLORS WITH ARCHITECT.	
MSB	ZURN	Z-1596	ZURN, Z1596-24-BV-24-HH-MH-WG 24" X 24" MOLDED COMPOSITE FLOOR SERVICE SINK WITH STAINLESS STEEL STRAINER, WALL GUARDS, AND VINYL BUMPER GUARD WITH ZURN, Z841M1-RC SERVICE SINK FAUCET WITH 6" VACUUM BREAKER SPOUT, LEVER HANDLES, PAIL HOOK AND WALL BRACE	
S1	ELKAY	LR13161	Elkay Lustertone Classic Stainless Steel 13" x 16" x 7.5", Single Bowl Drop-In Sink With ZURN, Z81244-XL 4"CC FAUCET WITH 3-1/2" GOOSENECK SPOUT AND 4" WRIST BLADE HANDLES, ZURN, Z8741-PC HEAVY DUTY BASKET STRAINER WITH CAST BRASS LOCK AND COUPLING NUT, ZURN, Z8702-PC 1-1/2" CAST BRASS 17 GAUGE P-TRAP WITH CLEANOUT	
S2	ELKAY	LR3322	LUSTERTONE 2 BOWL 18GA STAINLESS STEEL 33" X 22" X 8-1/8" DROP IN SINK WITH ZURN, Z81244-XL 4"CC FAUCET WITH 3-1/2" GOOSENECK SPOUT AND 4" WRIST BLADE HANDLES, ZURN, Z8741-PC HEAVY DUTY BASKET STRAINER WITH CAST BRASS LOCK AND COUPLING NUT AND ZURN, Z8804-XL-LR-LK-PC 1/2" X 3/8" COMP X COMP LAVATORY SUPPLY KIT WITH ESCUTCHEONS, 1/4 TURN CHROME PLATED STOPS AND CHROME PLATED COPPER TUBE SUPPLY LINES	
S3	ELKAY	LR22192	Elkay Lustertone Classic Stainless Steel 22" x 19-1/2" x 7.5", Single Bowl Drop-In Sink With ZURN, Z81244-XL 4"CC FAUCET WITH 3-1/2" GOOSENECK SPOUT AND 4" WRIST BLADE HANDLES, ZURN, Z8741-PC HEAVY DUTY BASKET STRAINER WITH CAST BRASS LOCK AND COUPLING NUT, ZURN, Z8702-PC 1-1/2" CAST BRASS 17 GAUGE P-TRAP WITH CLEANOUT	
W1	ZURN	Z5665-BWL1	FLOOR MOUNTED ADA HEIGHT WATER CLOSET WITH 2-1/8" FULLY GLAZED TRAPWAY WITH ZURN, Z6000AV-HPT AQUAVIA HINGE MANUALLY OPERATED FLUSH VALVE 1.28 GPF CLOG RESISTANT TRIPLE FILTERED BY-PASS, DUAL SEAL AND CHLORINE RESISTANT RESISTANT MATERIAL PARTS AND ZURN, Z5655S-EL-STS ELONGATED WHITE OPEN FRONT TOILET SEAT LESS COVER WITH SELF-SUSTAINING STAINLESS STEEL BACK HINGE. VERIFY COLORS WITH ARCHITECT.	
WMB	IFS Corporation	MVB16	1/4 Turn Valves Installed, 1/2" Sweat Connection, 2" Slipnut Drain Kit	
YCO	ZURN	Z-1400	ZURN "LEVEL-TROL" CAST IRON YARD CLEANOUT.	

Mechanical Equipment Plumbing Schedule				
Mark	Manufacturer	Model	Description	
PT	GRUNDFOS	UPS26-99 SFC	GRUNDFOS UPS26-99 SFC 2 GPM 28" HEAD, STAINLESS STEEL, 1/4" HP, INTEGRAL CHECK VALVE WITH DIGITAL TIMER KIT PRODUCT NUMBER 99519620. USE BRONZE DIELECTRIC ISOLATION BALL VALVE SET ON INLET AND OUTLET	
WH1	A.O. SMITH	ENT-55	55 GALLON COMMERCIAL GRADE RESIDENTIAL WATER HEATER	
WH2	Eemax Inc.	AccuMix II AM005240T	Tankless water heater	



PLUMBING LEGEND	
SYMBOL	DESCRIPTION
	COLD WATER PIPING (CW)
	HOT WATER PIPING (HW)
	HOT WATER RECIRCULATED PIPING (HWR)
	SOIL/WASTE PIPING
	VENT PIPING (V)
	STORM DRAIN PIPING (SD)
	GAS PIPING (G)
	PIPE RISE
	PIPE DROP
	CONCENTRIC TRANSITION
	SHUT-OFF VALVE
	SOLENOID ACTUATED VALVE
	CHECK VALVE
	DIELECTRIC UNION
	GAS COCK
	GAS METER
	HOSE BIBB OR WALL HYDRANT IN BOX
	CONNECTION TO CIVIL

- SUPPLEMENTAL PLUMBING NOTES**
1. ALL FLOOR DRAINS IN KITCHEN TO BE FLUSH WITH FLOOR AND HAVE AN EIGHTEEN INCH DIAMETER SLOPE IN FLOOR SURROUNDING THE DRAIN. SEE ARCHITECTURAL PLANS FOR DETAILS.
 2. PLUMBING DESIGN ENDS 60" FROM THE EXTERIOR OF THE BUILDING.
 3. ALL TOILETS AND SINKS ARE TO HAVE BRAIDED SUPPLY LINES AND 1/4 TURN SHUT-OFF VALVES.
 4. ALL HORIZONTAL CW AND HW PIPING TO BE 3/4" UNLESS OTHERWISE NOTED.
 5. DUE TO THE USE OF LOW FLOW FIXTURES, THE HOT WATER RECIRCULATION SYSTEM SHALL BE LAID OUT SUCH THAT NO HOT WATER RUN-OUT FROM THE RECIRCULATION LINE SHALL BE LONGER THAN 15' DEVELOPED LENGTH.
 6. MECHANICAL EQUIPMENT IS SHOWN FOR REFERENCE ONLY. REFER TO THE MECHANICAL SHEETS FOR EXACT LOCATIONS.
 7. COORDINATE PIPE ROUTING WITH EXISTING EQUIPMENT BEFORE FABRICATION.
 8. COORDINATE VENT PENETRATION WITH MECHANICAL OUTSIDE AIR INTAKES (TYPICAL). ENSURE 10' MIN. SEPARATION FROM AIR INTAKES.
 9. COORDINATE UTILITY INTERRUPTIONS WITH OWNER A MINIMUM OF 72 HOURS BEFORE INTERRUPTION.
 10. POWER VENT SYSTEM FOR WATER HEATERS IS TO INCLUDE INDIVIDUAL 4" PIPES FOR COMBUSTION AIR AND EXHAUST FOR EACH HEATER. PROVIDE EACH WATER HEATER WITH CONCENTRIC VENT KIT & PITCHED ROOF CURB. COORDINATE LOCATION OF CURB PENETRATION WITH ARCHITECT.
 11. INSULATE ALL NEW HW/CW PIPING, INCLUDING TIE-IN POINTS.
 12. COORDINATE PENETRATIONS THROUGH RATED ASSEMBLIES TO ENSURE FINAL INSTALLATION IS PROPERLY PROTECTED AS REQUIRED BY APPLICABLE CODES. EX: WATER PIPE PENETRATIONS THROUGH RATED WALLS.
 13. THE HOT WATER RECIRCULATION SYSTEM SHALL BE LAID OUT SUCH THAT NO HOT WATER RUN-OUT FROM THE RECIRCULATION LINE SHALL BE LONGER THAN 15' DEVELOPED LENGTH.
 14. PIPING SYSTEMS THROUGHOUT THE BUILDING SHALL BE PROTECTED FROM FREEZING, GENERALLY BY INSTALLING PIPES ON THE HEATED SIDE OF BUILDING INSULATION. PIPING ADJACENT TO EXTERIOR WALLS SHALL BE INSTALLED IN FURRED SPACES WITH BUILDING INSULATION BETWEEN THE PIPING AND THE EXTERIOR WALL.
 15. INSULATE DRAINS AND DRAIN BODIES ABOVE ROOF THAT RECEIVE CONDENSATE FROM MECHANICAL UNITS.
 16. CONTRACTOR SHALL EVALUATE AND ASSESS THE CONDITION OF RELOCATED EQUIPMENT INCLUDING WATER HEATERS, VALVES, BACKFLOW PREVENTERS, FAUCETS, WATER CLOSETS, ETC. PROVIDE REPORTS TO THE OWNER LISTING ANY DEFICIENCIES IN THE EQUIPMENT AND EXPECTED NEED FOR REPAIR OR REPLACEMENT.
 17. CONFIGURE ROOFING SUCH THAT NO PENETRATIONS OCCUR ON THE "FRONT" SIDE OF THE ROOF (SAME SIDE AS MAIN ENTRANCE).
 18. ARRANGE PIPING AT WATER HEATERS IN SUCH A WAY AS TO EXPEDITE MAINTENANCE OR REPLACEMENT OF WATER HEATERS. PROVIDE SHUT-OFF VALVES AT EACH WATER HEATER SO THAT MAINTENANCE OF A SINGLE WATER HEATER DOES NOT REQUIRE SHUTDOWN OF HW SYSTEM TO THE BUILDING. "PLASTIC" PIPE IS ALLOWED WITHIN 6 FEET OF WATER HEATERS, COPPER ONLY.
- THE CONTRACTOR SHALL NOT PASS PIPING OR PLACE EQUIPMENT DIRECTLY OVER ANY ELECTRICAL PANELS OR ELECTRICAL EQUIPMENT. COORDINATE WITH THE ELECTRICAL CONTRACTOR TO MAINTAIN CLEARANCES AS REQUIRED BY CODES.



ARTTECH
1410 COMART STREET
CHATTANOOGA, TN 37408
423.265.4313
WWW.ARTECH.PRO

GEORGIA MOUNTAINS
HEALTH SERVICES, INC.
HIGHLAND CROSSING SOUTH
TRACT G
EAST ELLIJAY, GEORGIA



ISSUE DATES
INITIAL ISSUE 09-04-2020

JOB NO. 19-068 | DWN RML | CKD C/JW

P0.1
PLUMBING NOTES
AND DETAILS

March Adams & Associates
310 Dodds Ave.
P.O. Box 3689
Chattanooga, Tennessee 37404
PH: (423)698-6675
Consulting Engineers MAA #: 20109