

Order Plans @ www.LDILine.com

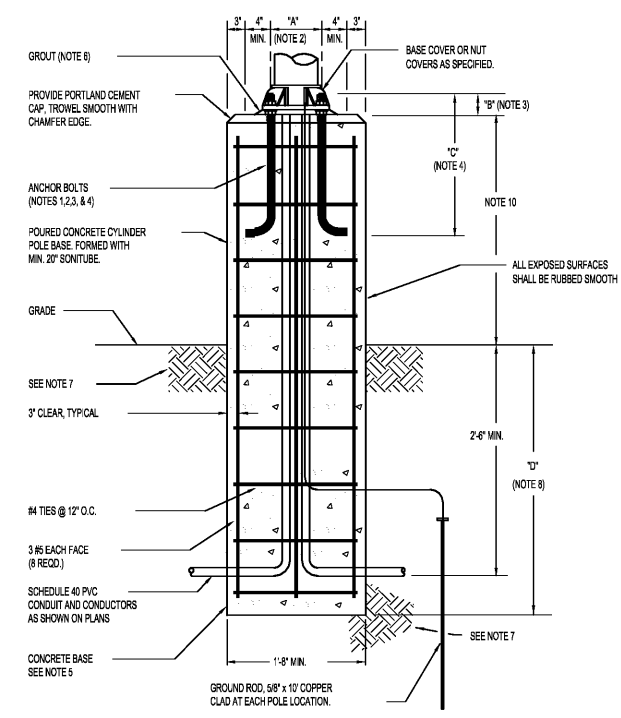
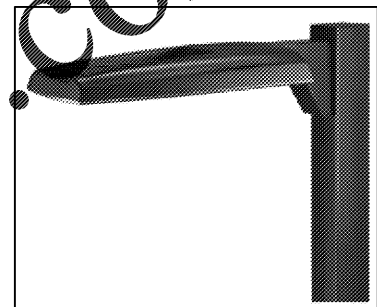
Luminaire Schedule						
Symbol	Qty	Label	Description	LLF	Lumens	Wattage
SA	1	SA	COOPER (LUMARK) #PRV-C80-D-UNV-T4-BZ	0.900	19,894	153
SB	2	SB	COOPER (LUMARK) #2) PRV-C80-D-UNV-T5-BZ	0.900	21,360	306

NOTES:
 1. POLES ARE TO BE 2" SQUARE STRAIGHT STEEL POLE.
 2. ALL FIXTURE & POLE COLOR FINISHES TO BE SELECTED BY THE ARCHITECT AT TIME OF SHOP DRAWING REVIEW.

Calculation Summary						
Label	CalcType	Units	Avg	Max	Min	Avg/Min
Parking Areas	Illuminance	Fc	1.93	3.5	0.5	3.68
						7.00

GENERAL PLAN NOTES

- ALL POLE BASES ARE TO BE LOCATED 18" MINIMUM OFF BACK OF CURB OR EDGE OF POLE BASE. THOSE LOCATED IN AN ISLAND ARE TO BE CENTERED IN ISLAND.
- ALL POLE MOUNTED LIGHT FIXTURES ARE TO BE INSTALLED 25' ABOVE FINISHED GRADE. PROVIDE DIFFERENT POLE LENGTHS FOR POLES LOCATED IN UNPAVED AND PAVED AREAS.



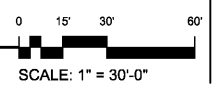
- DETAIL NOTES:**
- POLE SHALL BE PROVIDED WITH MINIMUM OF FOUR ANCHOR BOLTS WITH DOUBLE NUTS, DOUBLE FLAT WASHERS, AND ONE LOCK WASHER SIZED TO MATCH EACH ANCHOR BOLT. ALL NUTS, WASHERS, AND BOLTS SHALL BE HOT DIPPED GALVANIZED.
 - ANCHOR BOLT GAGE, DIMENSION "A", SHALL BE AS REQUIRED BY POLE MANUFACTURER. EXACT LOCATION OF ANCHOR BOLTS SHALL BE DETERMINED BY CONTRACTOR AFTER POLES ARE PURCHASED AND BEFORE CONCRETE BASE IS CONSTRUCTED.
 - BOLT PROJECTION, DIMENSION "B", SHALL BE AS RECOMMENDED BY POLE MANUFACTURER AND SHALL NOT BE LESS THAN 3".
 - ANCHOR BOLT EMBEDMENT, DIMENSION "C", SHALL BE AS RECOMMENDED BY POLE MANUFACTURER AND SHALL NOT BE LESS THAN 12". ANCHOR BOLT DIAMETER SHALL NOT BE LESS THAN 3/4".
 - CONCRETE BASE SHALL BE OF MINIMUM COMPRESSIVE STRENGTH OF 3000 PSI, W/C RATIO OF .55. REINFORCING BARS SHALL BE DEFORMED STEEL, GRADE 60.
 - GROUT SHALL BE PRE-BAG MIX NON-SHRINK, NON-METALLIC, 5000 PSI MINIMUM, ONE TO TWO INCHES THICK.
 - SOIL AROUND FOUNDATION BASE SHALL BE NON-ORGANIC GRANULAR SOIL COMPACTED TO 95% STANDARD PROCTOR (ASTM D-698). TOP 4" TO 6" MAY BE TOP SOIL OR PAVEMENT.
 - FOUNDATION EMBEDMENT DEPTH, DIMENSION "D", SHALL BE 15 PERCENT OF POLE HEIGHT ABOVE GRADE, MINIMUM OF 6'-0".
 - CONTRACTOR TO PAINT PEDESTAL AS DIRECTED BY ARCHITECT.
 - ALL POLE BASE PEDESTAL HEIGHTS ARE TO BE 36".
 - ALLOWABLE PASSIVE PRESSURE MUST BE 170 PSF OR GREATER.

ARCHITECTURE & INTERIORS
 ARTECH DESIGN GROUP, INC.
 2010 COMBAT STREET
 IN 37408
 623.265.1513

GEORGIA MOUNTAINS HEALTH SERVICES, INC.
 HIGHLAND CROSSING SOUTH TRACT G
 EAST ELLIJAY, GEORGIA



ISSUE DATES
 INITIAL 09-04-2020
 1.
 2.
 3.
 4.
 5.
 6.



MA & A March Adams & Associates
 Consulting Engineers
 310 Dodds Ave.
 P.O. Box 3689
 Chattanooga, Tennessee 37404
 PH: (423)698-6675
 MAA #: 20109