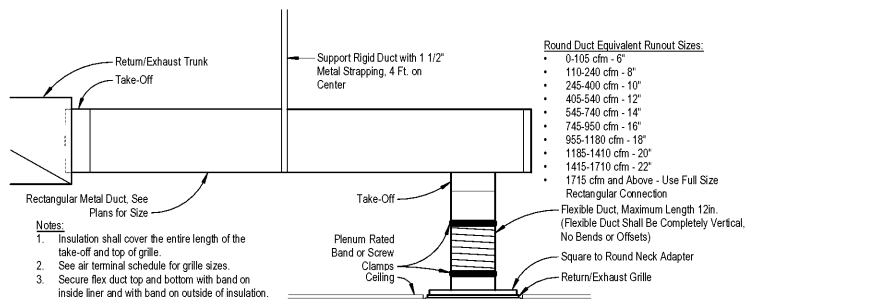


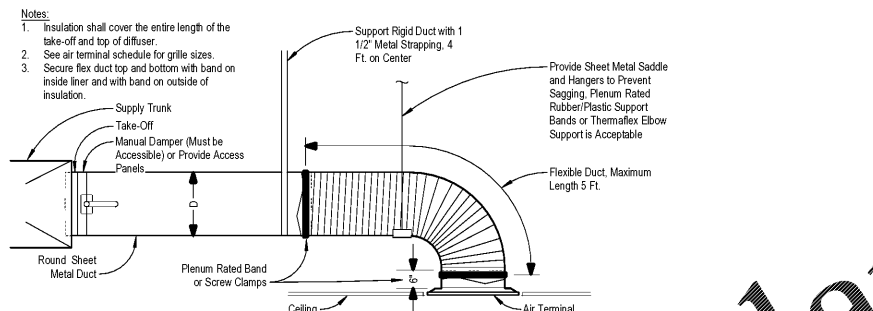
### 1 Duct Hangers

SCALE:NTS



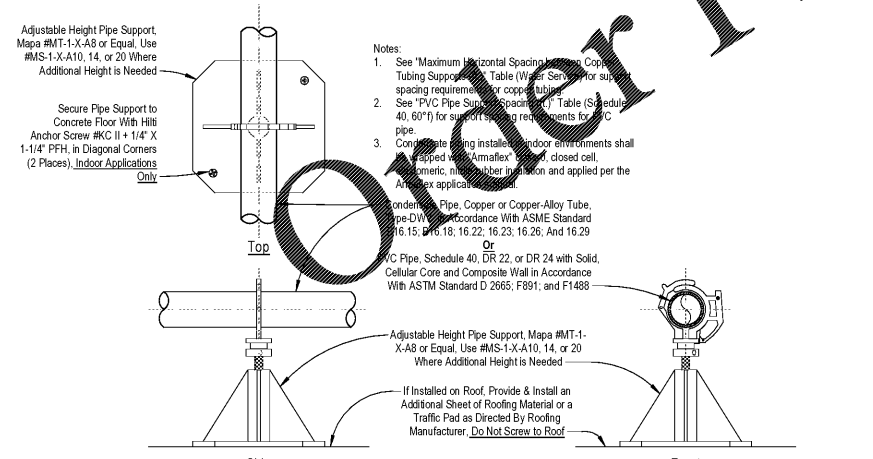
### 2 Duct Take-Off - Return/Exhaust

SCALE:NTS



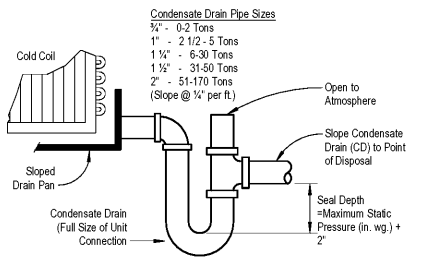
### 3 Duct Take-Off - Supply

SCALE:NTS



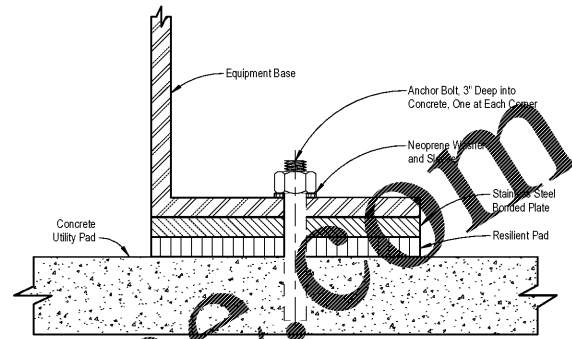
### 4 Condensate Piping Support

SCALE:NTS



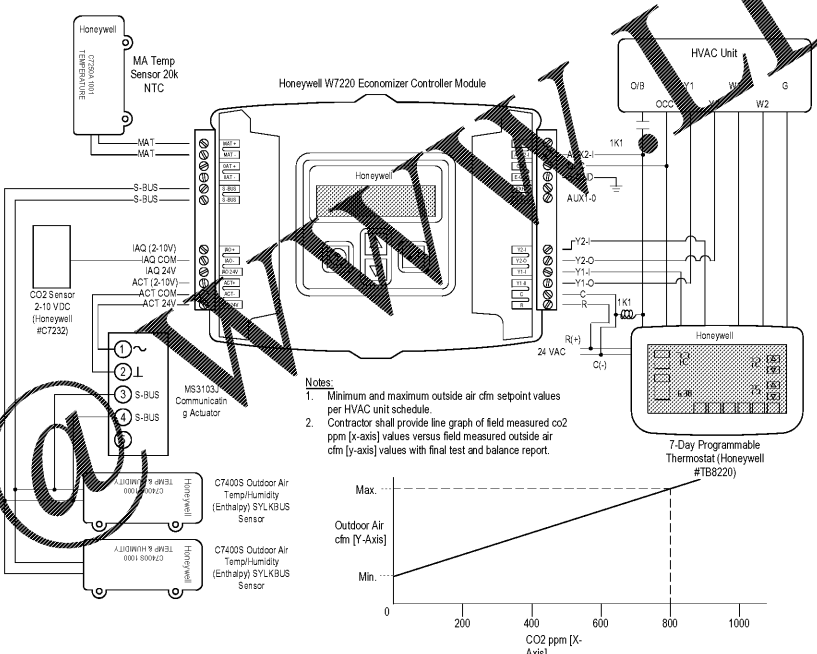
### 5 Coil Condensate Drain Piping

SCALE:NTS



### 7 Equipment Mounted on Isolation Pads

SCALE:NTS



### 6 Economizer Controller

SCALE:NTS

Room Air Balance (Hospital and Outpatient Facilities)														
ASHRAE Applications Handbook 2011 Chapter 8 - Table 3														
Room: Name	Area	Ceiling Height	Room Volume	Space Function	Air Balance Relationship To Adjacent Areas	Minimum Air Changes Of Outdoor Air Per Hour	Min O.S.A.	Minimum Total Air Changes Per Hour	Min Air Flow	All Air Exhausted Directly To Outdoors	Design Air Flows			
											Actual Supply Airflow	Actual Return Airflow	Actual Exhaust Airflow	Air Balance
PED EXAM	88 SF	9'-0"	792.67 CF	Examination Room (Hospital and Outpatient)	N/R	2	26 CFM	6	79 CFM	No	100 CFM	100 CFM	0 CFM	0 CFM
PED EXAM	88 SF	9'-0"	788.04 CF	Examination Room (Hospital and Outpatient)	N/R	2	26 CFM	6	79 CFM	No	100 CFM	100 CFM	0 CFM	0 CFM
LAB	145 SF	9'-0"	1300.81 CF	Laboratory, General	Negative	2	43 CFM	6	130 CFM	No	200 CFM	0 CFM	0 CFM	200 CFM
ADULT EXAM	96 SF	9'-0"	776.49 CF	Examination Room (Hospital and Outpatient)	N/R	2	26 CFM	6	78 CFM	No	100 CFM	100 CFM	0 CFM	0 CFM
ADULT EXAM	89 SF	9'-0"	801.00 CF	Examination Room (Hospital and Outpatient)	N/R	2	27 CFM	6	80 CFM	No	100 CFM	100 CFM	0 CFM	0 CFM
VACCINE	62 SF	9'-0"	554.15 CF	Medication Room	Positive	2	18 CFM	4	37 CFM	No	60 CFM	0 CFM	0 CFM	60 CFM
WOMENS EXAM	96 SF	9'-0"	862.35 CF	Examination Room (Hospital and Outpatient)	N/R	2	29 CFM	6	86 CFM	No	100 CFM	100 CFM	0 CFM	0 CFM
WOMENS EXAM	97 SF	9'-0"	872.30 CF	Examination Room (Hospital and Outpatient)	N/R	2	29 CFM	6	87 CFM	No	100 CFM	100 CFM	0 CFM	0 CFM
PROCEDURE	134 SF	9'-0"	1201.53 CF	Treatment Room (Diagnostic and Treatment)	N/R	2	40 CFM	6	120 CFM	No	140 CFM	140 CFM	0 CFM	0 CFM
ADULT EXAM	97 SF	9'-0"	871.17 CF	Examination Room (Hospital and Outpatient)	N/R	2	29 CFM	6	87 CFM	No	100 CFM	100 CFM	0 CFM	0 CFM
ADULT EXAM	97 SF	9'-0"	872.30 CF	Examination Room (Hospital and Outpatient)	N/R	2	29 CFM	6	87 CFM	No	100 CFM	100 CFM	0 CFM	0 CFM
ADULT EXAM	86 SF	9'-0"	862.35 CF	Examination Room (Hospital and Outpatient)	N/R	2	29 CFM	6	86 CFM	No	100 CFM	100 CFM	0 CFM	0 CFM
PED EXAM	89 SF	9'-0"	801.96 CF	Examination Room (Hospital and Outpatient)	N/R	2	27 CFM	6	80 CFM	No	100 CFM	100 CFM	0 CFM	0 CFM
PED EXAM	91 SF	9'-0"	818.33 CF	Examination Room (Hospital and Outpatient)	N/R	2	27 CFM	6	82 CFM	No	100 CFM	100 CFM	0 CFM	0 CFM
PED EXAM	91 SF	9'-0"	822.99 CF	Examination Room (Hospital and Outpatient)	N/R	2	27 CFM	6	82 CFM	No	100 CFM	100 CFM	0 CFM	0 CFM
ADULT EXAM	90 SF	9'-0"	810.47 CF	Examination Room (Hospital and Outpatient)	N/R	2	27 CFM	6	81 CFM	No	100 CFM	100 CFM	0 CFM	0 CFM
ADULT EXAM	88 SF	9'-0"	790.01 CF	Examination Room (Hospital and Outpatient)	N/R	2	26 CFM	6	79 CFM	No	115 CFM	115 CFM	0 CFM	0 CFM
ADULT EXAM	86 SF	9'-0"	773.78 CF	Examination Room (Hospital and Outpatient)	N/R	2	26 CFM	6	77 CFM	No	115 CFM	115 CFM	0 CFM	0 CFM
DRUG	53 SF	9'-8"	515.33 CF	Medication Room	Positive	2	17 CFM	4	34 CFM	No	50 CFM	50 CFM	0 CFM	0 CFM
DRUG	42 SF	9'-0"	375.19 CF	Medication Room	Positive	2	13 CFM	4	25 CFM	No	50 CFM	50 CFM	0 CFM	0 CFM



ISSUE DATES  
INITIAL ISSUE 09/04/2020

JOB NO. 19-068 | DWN JG/BSB | CKD CJW