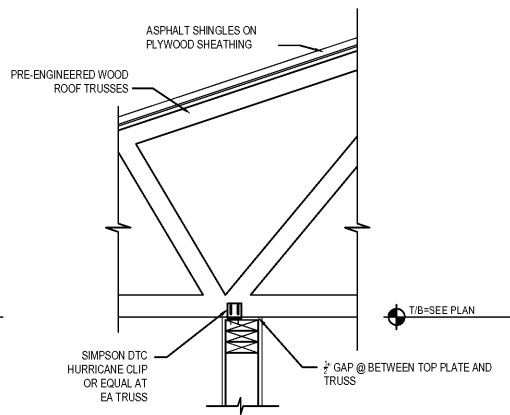
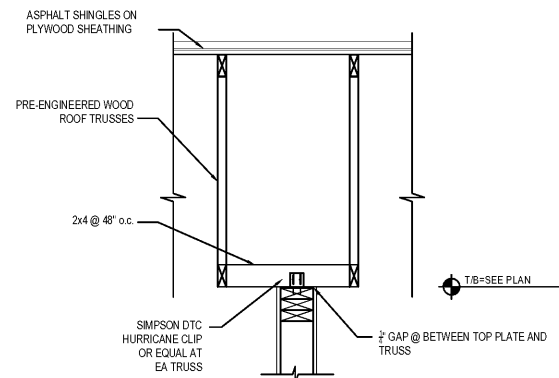


1 SECTION
3/4" = 1'-0" S5.1|S6.1



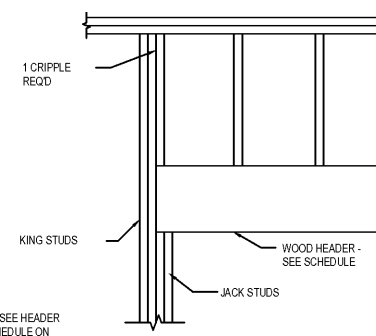
2 SECTION
3/4" = 1'-0" S5.1|S6.1

TYP. NON-LOAD BEARING
INTERIOR WALL @ TRUSSES ABOVE



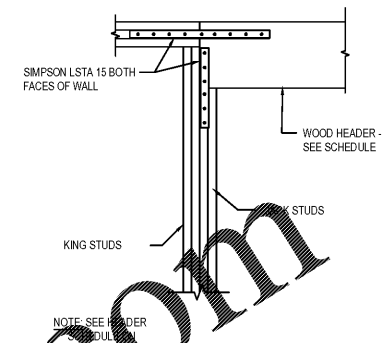
3 SECTION
3/4" = 1'-0" S5.1|S6.1

TYP. NON-LOAD BEARING
INTERIOR WALL @ TRUSSES ABOVE



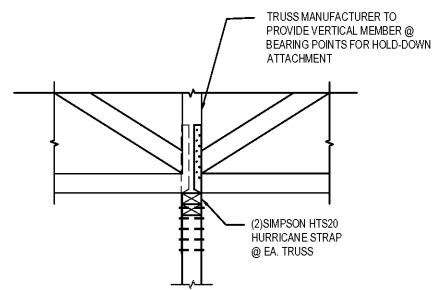
4 SECTION
3/4" = 1'-0" S5.1|S6.1

HEADER @ DOOR



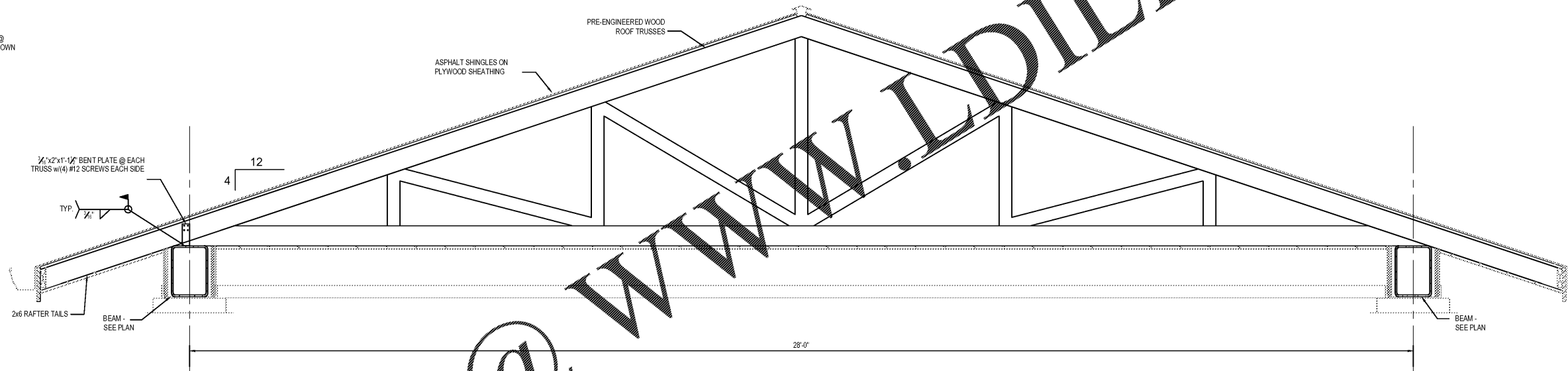
5 SECTION
3/4" = 1'-0" S5.1|S6.1

HEADER @ WINDOW



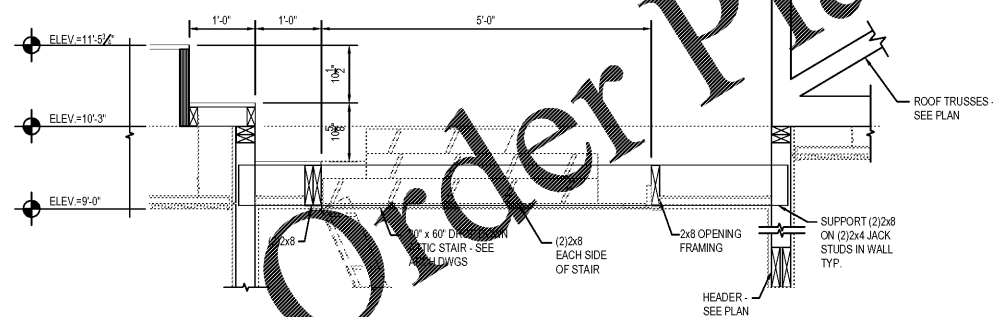
6 SECTION
3/4" = 1'-0" S5.1|S6.1

TRUSS BEARING @
INTERIOR WALL



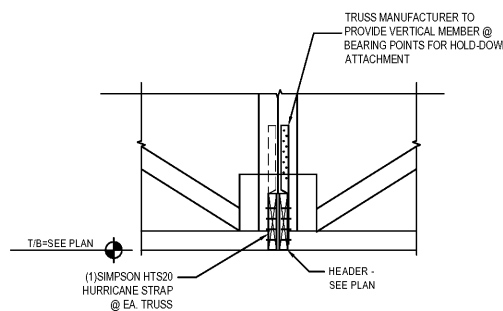
7 SECTION
3/4" = 1'-0" S5.1|S6.1

PRE-ENGINEERED WOOD TRUSS



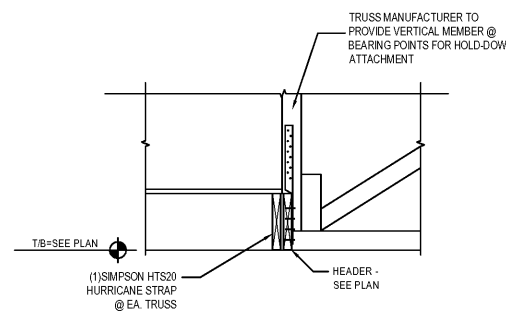
8 SECTION
3/4" = 1'-0" S5.1|S6.1

ACCESS STAIR FRAMING



9 SECTION
3/4" = 1'-0" S5.1|S6.1

TRUSS BEARING @
INTERIOR HEADER



10 SECTION
3/4" = 1'-0" S5.1|S6.1

TRUSS BEARING @
INTERIOR HEADER



ISSUE DATES

INITIAL	09-04-2020
1.	
2.	
3.	
4.	
5.	
6.	

JOB NO.	D'WN	CK'D
19-068	TDC	BA