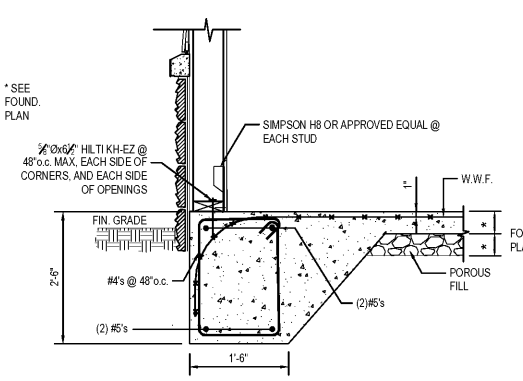
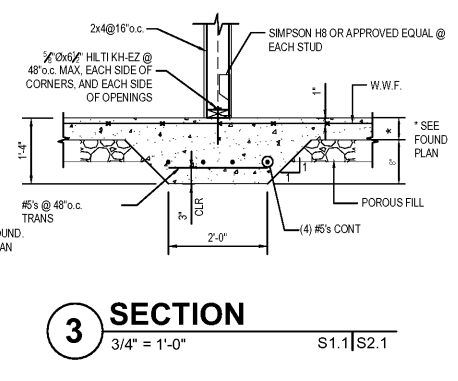


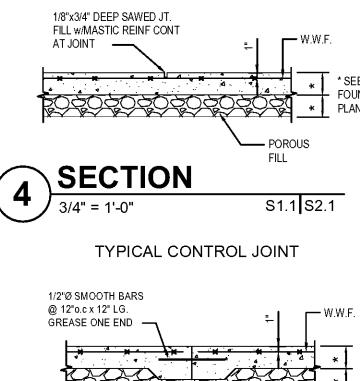
1 SECTION
3/4" = 1'-0" S1.1|S2.1
TYPICAL TURN DOWN SLAB



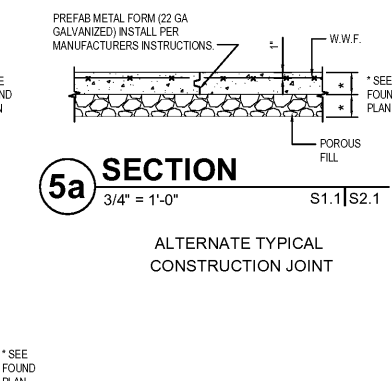
2 SECTION
3/4" = 1'-0" S1.1|S2.1
TYPICAL TURN DOWN SLAB



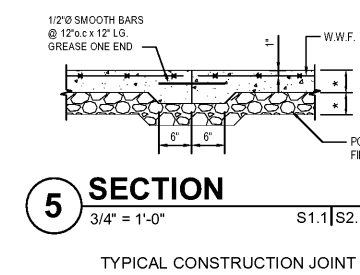
3 SECTION
3/4" = 1'-0" S1.1|S2.1
TYPICAL INTERIOR LOAD BEARING WALL



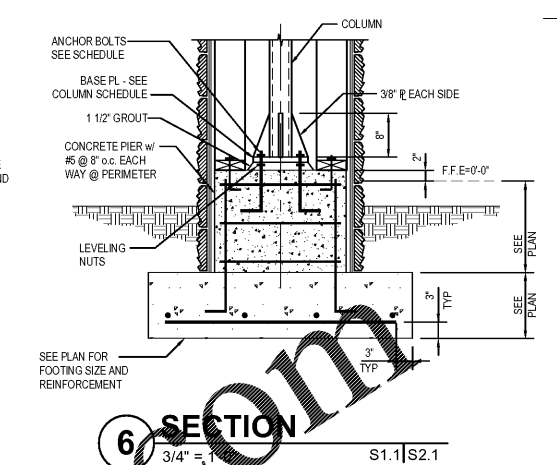
4 SECTION
3/4" = 1'-0" S1.1|S2.1
TYPICAL CONTROL JOINT



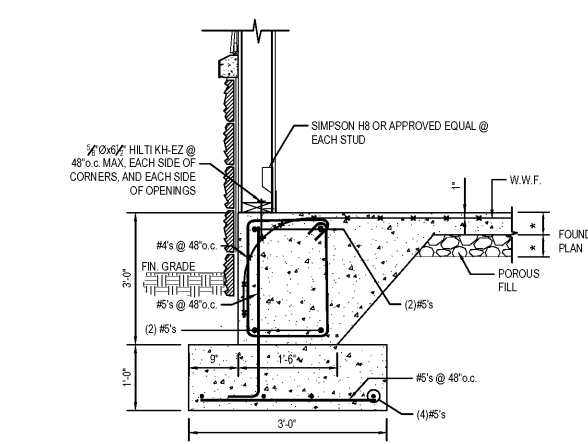
5a SECTION
3/4" = 1'-0" S1.1|S2.1
ALTERNATE TYPICAL CONSTRUCTION JOINT



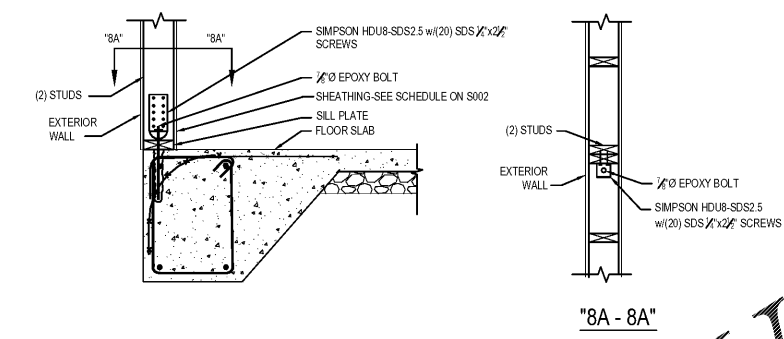
5 SECTION
3/4" = 1'-0" S1.1|S2.1
TYPICAL CONSTRUCTION JOINT



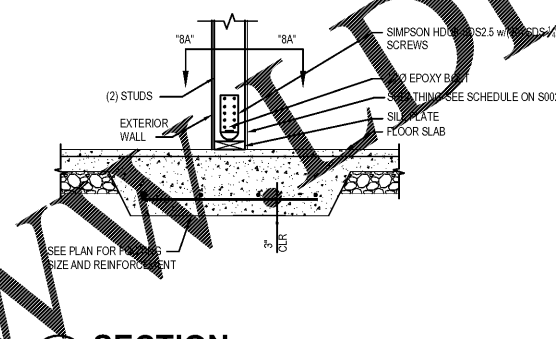
6 SECTION
3/4" = 1'-0" S1.1|S2.1



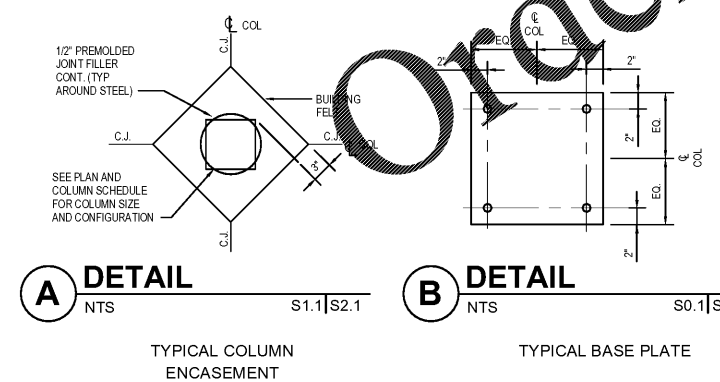
7 SECTION
3/4" = 1'-0" S1.1|S2.1
TYPICAL TURN DOWN SLAB WITH FOOTING



8 SECTION
3/4" = 1'-0" S1.1|S2.1



9 SECTION
3/4" = 1'-0" S1.1|S2.1



Order Plans @ WWW.DILine.com



ISSUE DATES

INITIAL	09-04-2020
1.	
2.	
3.	
4.	
5.	
6.	

JOB NO. 19-068 | D'WN TDC | CKD BA