

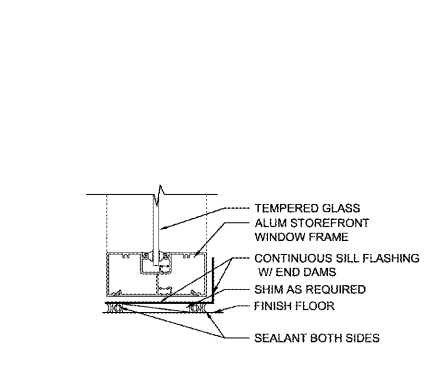
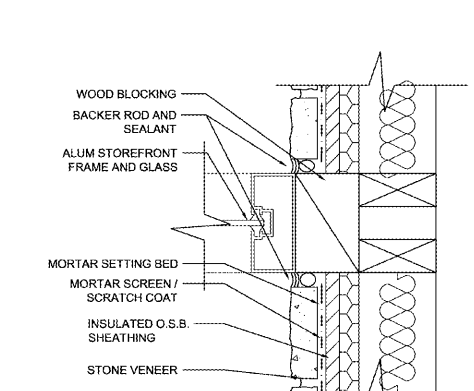
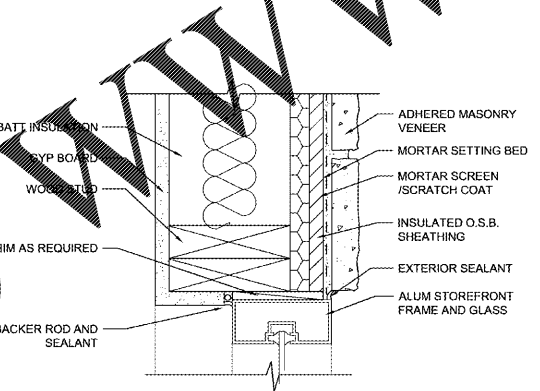
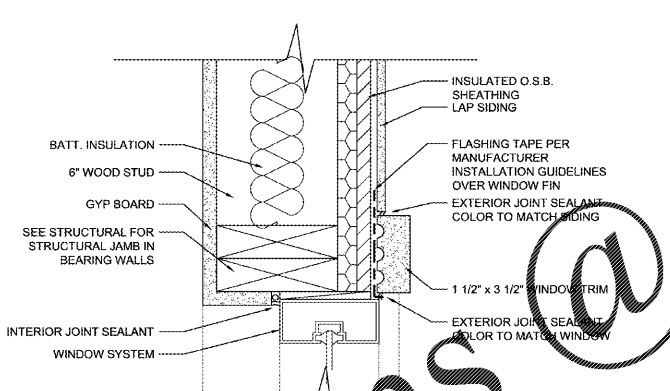
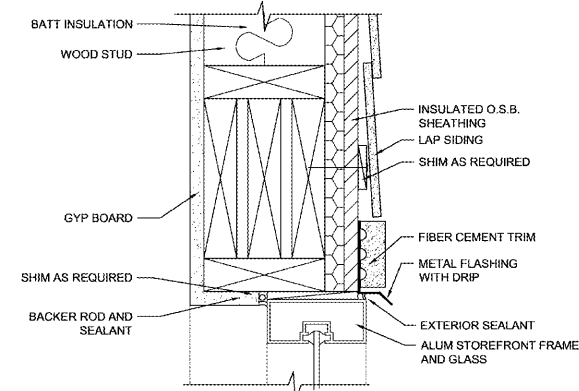
NOT USED

**GLASS LEGEND**

T= 1" INSUL. TEMPERED GLASS

ALL OTHER GLAZING IS CLEAR 1" INSULATED GLAZING

**3 EXTERIOR ROOF VENTS**  
SCALE: 1/4" = 1'-0"



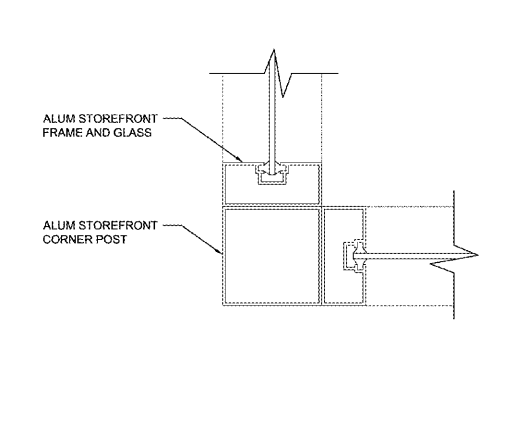
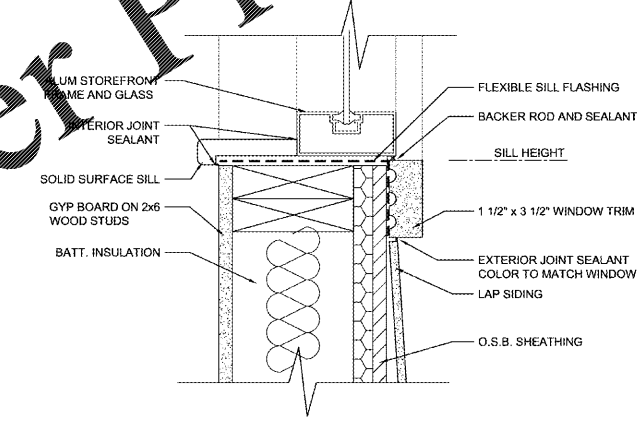
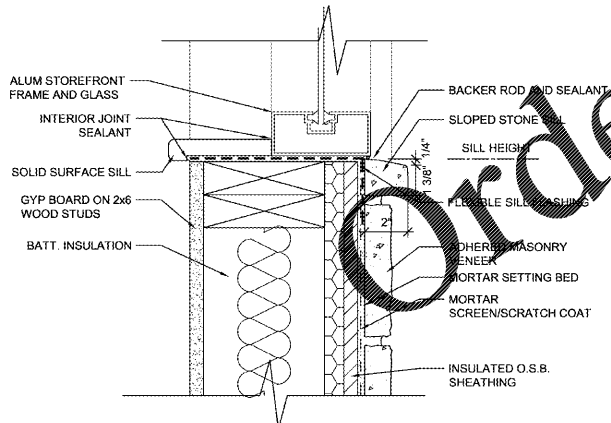
**4 STOREFRONT HEADER**  
SCALE: 3" = 1'-0" AT LAP SIDING

**5 STOREFRONT JAMB**  
SCALE: 3" = 1'-0" AT LAP SIDING

**6 STOREFRONT JAMB**  
SCALE: 3" = 1'-0" AT STONE VENEER

**7 STOREFRONT JAMB**  
SCALE: 3" = 1'-0" AT STONE VENEER PILASTER

**8 STOREFRONT SILL**  
SCALE: 3" = 1'-0" AT FLOOR



**9 STOREFRONT SILL**  
SCALE: 3" = 1'-0" AT STONE VENEER

**10 STOREFRONT SILL**  
SCALE: 3" = 1'-0" AT LAP SIDING

**11 STOREFRONT JAMB**  
SCALE: 3" = 1'-0" AT CORNER POST



**ISSUE DATES**

INITIAL	09-04-2020
1.	
2.	
3.	
4.	
5.	
6.	