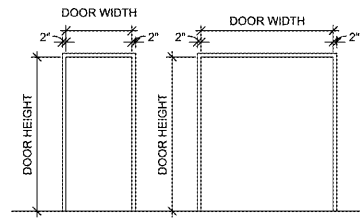
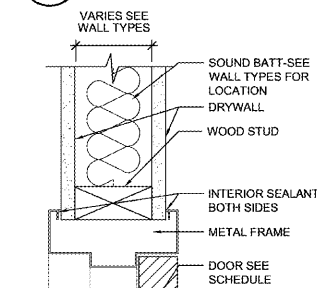


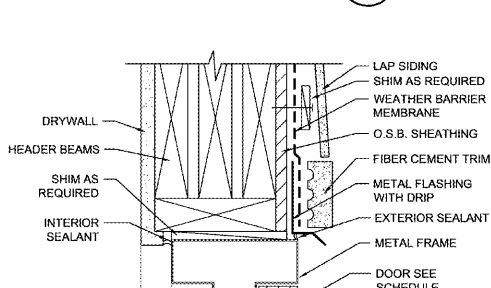
1 DOOR ELEVATIONS
SCALE: 1/4" = 1'-0"



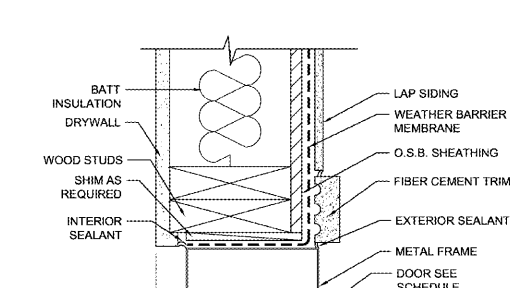
2 FRAME ELEVATIONS
SCALE: 1/4" = 1'-0"



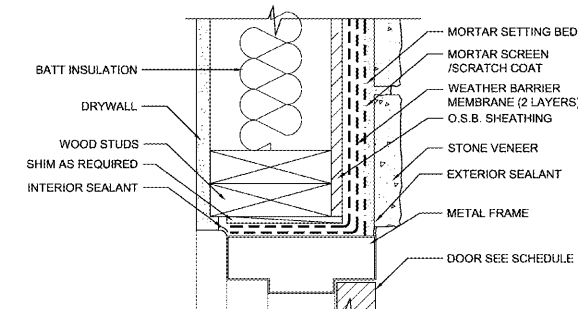
3 DOOR HEAD
SCALE: 3" = 1'-0" JAMB SIMILAR



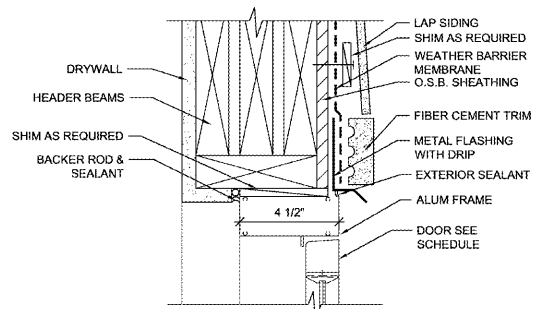
4 DOOR HEAD
SCALE: 3" = 1'-0"



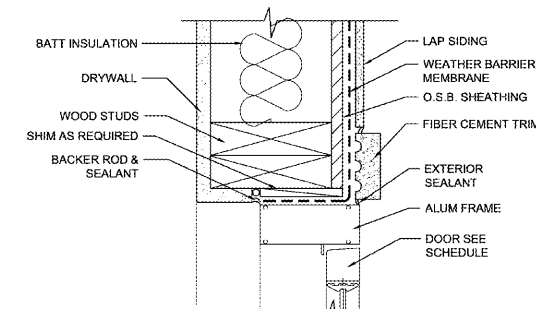
5 DOOR JAMB
SCALE: 3" = 1'-0"



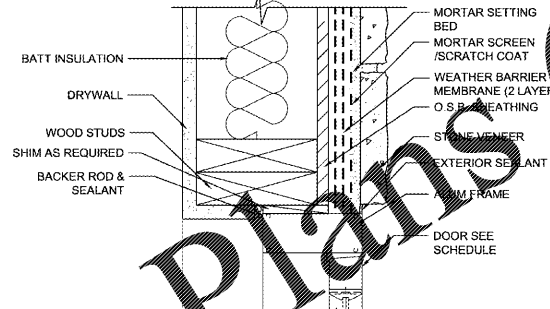
6 DOOR JAMB
SCALE: 3" = 1'-0"



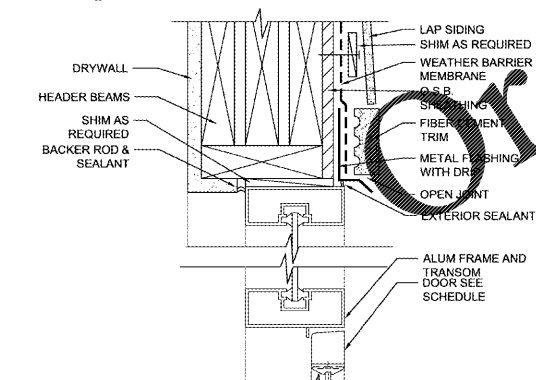
7 DOOR HEAD
SCALE: 3" = 1'-0"



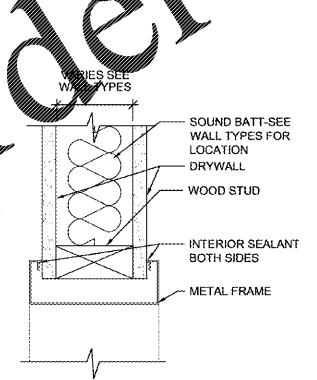
8 DOOR JAMB
SCALE: 3" = 1'-0"



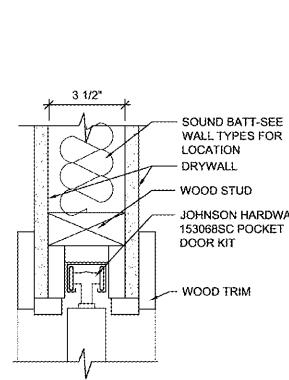
9 DOOR JAMB
SCALE: 3" = 1'-0"



10 DOOR HEAD
SCALE: 3" = 1'-0"



11 FRAMED OPENING
SCALE: 3" = 1'-0" HEAD & JAMB



12 POCKET DOOR
SCALE: 3" = 1'-0" HEAD

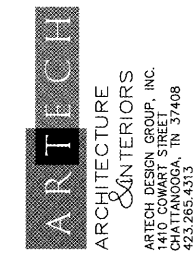
DOOR SCHEDULE LEGEND:

HM	HOLLOW METAL
AL	ALUMINUM
WD	SOLID CORE WOOD
CW	CURTAIN WALL
SF	STOREFRONT
PT	PAINTED FINISH
ANOD	CLEAR ANODIZED
NA	NOT APPLICABLE

HARDWARE SCHEDULE

GROUP A	1 1/2" pair Hinges Office Lockset Wall Stop Silencers
GROUP B	1 1/2" pair Hinges Storeroom Lockset Wall Stop Silencers
GROUP C	1 1/2" pair Hinges Office Privacy Lockset Wall Stop Silencers
GROUP D	1 1/2" pair Hinges Passage Latch Set Wall Stop Silencers
GROUP E	Hardware by Door Manufacturer Double Cylinder
GROUP F1	Hardware by Door Manufacturer No Keyed Cylinder
GROUP G	1 1/2" pair Hinges Push Bar Exit Device Threshold Water Strip Closer Bottom Gasket Viewer
GROUP H	1 1/2" pair Hinges Storeroom Lock Closer Wall Stop Silencers
GROUP J	Johnson Hardware 153068SC Pocket Door Kit 150U515 Satin Nickel Edge Pull

OPENING NUMBER	LOCATION	DOOR		FRAME			DOOR SIZE			FRAME DETAILS		HARDWARE SET	REMARKS		
		TYPE	MATERIAL	FINISH	TYPE	MATERIAL	FINISH	WIDTH	HEIGHT	THICK	HEAD/JAMB			SILL	
101A	ENTRY	SF	AL / GLASS	ANOD	AL	AL	ANOD	PAIR 3'-0"	7'-0"	1 3/4"	4-7/A8.2	-	F	SEE A8.2 FOR STOREFRONT DOOR TYPE	
101B	VESTIBULE	SF	AL / GLASS	ANOD	AL	AL	ANOD	PAIR 3'-0"	7'-0"	1 3/4"	4-7/A8.2	-	F1	SEE A8.2 FOR STOREFRONT DOOR TYPE	
102	TOILET	A	WD	STAIN	1	HM	PAINT	3'-0"	6'-8"	1 3/4"	3/A8.1	-	C		
103	ALCOVE	B	WD	STAIN	1	HM	PAINT	3'-0"	6'-8"	1 3/4"	3/A8.1	-	H	1/4" GLASS INSERT TO BE "NATHAN ALLAN - DIRECTIONAL SERIES DEEP RAIN"	
104	OFFICE	A	WD	STAIN	1	HM	PAINT	3'-0"	6'-8"	1 3/4"	3/A8.1	-	A		
109	LAB	A	WD	STAIN	1	HM	PAINT	3'-0"	6'-8"	1 3/4"	3/A8.1	-	A		
110	EQUIP	A	WD	STAIN	2	HM	PAINT	PAIR 2'-6"	6'-8"	1 3/4"	3/A8.1	-	-	-	
111	EQUIP	A	WD	STAIN	1	HM	PAINT	3'-0"	6'-8"	1 3/4"	3/A8.1	-	A		
112	OFFICE	A	WD	STAIN	1	HM	PAINT	3'-0"	6'-8"	1 3/4"	3/A8.1	-	A		
113	OFFICE	A	WD	STAIN	1	HM	PAINT	3'-0"	6'-8"	1 3/4"	3/A8.1	-	A		
114A	BREAK ROOM	C	WD	STAIN	1	HM	PAINT	3'-0"	6'-8"	1 3/4"	3/A8.1	-	D		
114B	BREAK ROOM	SF	AL / GLASS	ANOD	AL	AL	ANOD	3'-0"	7'-0"	1 3/4"	4-5/A8.2	-	F	SEE A8.2 FOR STOREFRONT DOOR TYPE	
115	ADULT EXAM	A	WD	STAIN	1	HM	PAINT	3'-0"	6'-8"	1 3/4"	3/A8.1	-	D		
116	ADULT EXAM	A	WD	STAIN	1	HM	PAINT	3'-0"	6'-8"	1 3/4"	3/A8.1	-	-	-	
117	ADULT EXAM	A	WD	STAIN	1	HM	PAINT	3'-0"	6'-8"	1 3/4"	3/A8.1	-	-	-	
118	TOILET	A	WD	STAIN	1	HM	PAINT	3'-0"	6'-8"	1 3/4"	3/A8.1	-	C		
119	PROCEDURE	A	WD	STAIN	1	HM	PAINT	3'-0"	6'-8"	1 3/4"	3/A8.1	-	-	-	
120	TOILET	A	WD	STAIN	1	HM	PAINT	3'-0"	6'-8"	1 3/4"	3/A8.1	-	C		
121	WOMENS EXAM	A	WD	STAIN	1	HM	PAINT	3'-0"	6'-8"	1 3/4"	3/A8.1	-	D		
122	WOMENS EXAM	A	WD	STAIN	1	HM	PAINT	3'-0"	6'-8"	1 3/4"	3/A8.1	-	D		
123	OFFICE	A	WD	STAIN	1	HM	PAINT	3'-0"	6'-8"	1 3/4"	3/A8.1	-	A		
124	PED EXAM	A	WD	STAIN	1	HM	PAINT	3'-0"	6'-8"	1 3/4"	3/A8.1	-	D		
125	PED EXAM	A	WD	STAIN	1	HM	PAINT	3'-0"	6'-8"	1 3/4"	3/A8.1	-	D		
126	PED EXAM	A	WD	STAIN	1	HM	PAINT	3'-0"	6'-8"	1 3/4"	3/A8.1	-	D		
127	TRIAGE	A	WD	STAIN	1	HM	PAINT	3'-0"	6'-8"	1 3/4"	3/A8.1	-	D		
128	OFFICE	A	WD	STAIN	1	HM	PAINT	3'-0"	6'-8"	1 3/4"	3/A8.1	-	A		
129	OFFICE	A	WD	STAIN	1	HM	PAINT	3'-0"	6'-8"	1 3/4"	3/A8.1	-	A		
130	TOILET	A	WD	STAIN	1	HM	PAINT	3'-0"	6'-8"	1 3/4"	3/A8.1	-	C		
131	RISER ROOM	A	MTL	PAINT	1	HM	PAINT	3'-0"	7'-0"	1 3/4"	4-5-6/A8.1	-	G		
132	WELL WAITING	B	WD	STAIN	1	HM	PAINT	3'-0"	6'-8"	1 3/4"	3/A8.1	-	H	1/4" GLASS INSERT TO BE "NATHAN ALLAN - DIRECTIONAL SERIES DEEP RAIN"	
133	SICK WAITING	B	WD	STAIN	1	HM	PAINT	3'-0"	6'-8"	1 3/4"	3/A8.1	-	H	1/4" GLASS INSERT TO BE "NATHAN ALLAN - DIRECTIONAL SERIES DEEP RAIN"	
134	RECEPTION	A	WD	STAIN	1	HM	PAINT	3'-0"	6'-8"	1 3/4"	POCKET DOOR	-	J		
137	STORE	A	WD	STAIN	1	HM	PAINT	3'-0"	6'-8"	1 3/4"	3/A8.1	-	D		
139	TOILET	A	WD	STAIN	1	HM	PAINT	3'-0"	6'-8"	1 3/4"	3/A8.1	-	C		
140A	LAUNDRY	WD	STAIN	1	HM	PAINT	3'-0"	6'-8"	1 3/4"	3/A8.1	-	D			
140B	LAUNDRY CLOSET	A	WD	STAIN	1	HM	PAINT	PAIR 1'-6"	6'-8"	1 3/4"	3/A8.1	-	NA	BI-FOLD DOOR	
141	ADULT EXAM	A	WD	STAIN	1	HM	PAINT	3'-0"	6'-8"	1 3/4"	3/A8.1	-	D		
142A	BENTAL EXAM	A	WD	STAIN	1	HM	PAINT	3'-0"	6'-8"	1 3/4"	POCKET DOOR	-	J		
142B	BENTAL EXAM	A	WD	STAIN	1	HM	PAINT	3'-0"	6'-8"	1 3/4"	POCKET DOOR	-	J		
143	ADULT EXAM	A	WD	STAIN	1	HM	PAINT	3'-0"	6'-8"	1 3/4"	3/A8.1	-	D		
145	ADULT EXAM	A	WD	STAIN	1	HM	PAINT	3'-0"	6'-8"	1 3/4"	3/A8.1	-	D		
147	BH TRIAGE	A	WD	STAIN	1	HM	PAINT	3'-0"	6'-8"	1 3/4"	3/A8.1	-	A		
149	TRIAGE	A	WD	STAIN	1	HM	PAINT	3'-0"	6'-8"	1 3/4"	3/A8.1	-	A		
150	ELECTRICAL	A	WD	STAIN	1	HM	PAINT	2'-8"	6'-8"	1 3/4"	3/A8.1	-	B		
151	BH TRIAGE	A	WD	STAIN	1	HM	PAINT	3'-0"	6'-8"	1 3/4"	3/A8.1	-	A		
152A	COMMUNITY ROOM	C	WD	STAIN	1	HM	PAINT	3'-0"	6'-8"	1 3/4"	3/A8.1	-	D		
152B	COMMUNITY ROOM	C	WD	STAIN	1	HM	PAINT	3'-0"	6'-8"	1 3/4"	3/A8.1	-	D		
153	SUPPLY	A	WD	STAIN	2	HM	PAINT	PAIR 3'-0"	6'-8"	1 3/4"	3/A8.1	-	B		
154	I.T.	A	WD	STAIN	1	HM	PAINT	3'-0"	6'-8"	1 3/4"	3/A8.1	-	A		
155	DRUG STORAGE	A	WD	STAIN	1	HM	PAINT	3'-0"	6'-8"	1 3/4"	3/A8.1	-	B		
156	ELECTRICAL	A	WD	STAIN	2	HM	PAINT	PAIR 3'-0"	6'-8"	1 3/4"	3/A8.1	-	B		
157	VACCINE	A	WD	STAIN	1	HM	PAINT	3'-0"	6'-8"	1 3/4"	3/A8.1	-	A		
158	OFFICE	A	WD	STAIN	1	HM	PAINT	3'-0"	6'-8"	1 3/4"	3/A8.1	-	A		
159	NOT USED														
160	OFFICE	A	WD	STAIN	1	HM	PAINT	3'-0"	6'-8"	1 3/4"	3/A8.1	-	A		
161	ADULT EXAM	A	WD	STAIN	1	HM	PAINT	3'-0"	6'-8"	1 3/4"	3/A8.1	-	D		
162	TRIAGE	A	WD	STAIN	1	HM	PAINT	3'-0"	6'-8"	1 3/4"	3/A8.1	-	D		
163	ADULT EXAM	A	WD	STAIN	1	HM	PAINT	3'-0"	6'-8"	1 3/4"	3/A8.1	-	D		
164	OFFICE	A	WD	STAIN	1	HM	PAINT	3'-0"	6'-8"	1 3/4"	3/A8.1	-	A		
165	DRUG STORAGE	A	WD	STAIN	1	HM	PAINT	3'-0"	6'-8"	1 3/4"	3/A8.1	-	B		
166	OFFICE	A	WD	STAIN	1	HM	PAINT	3'-0"	6'-8"	1 3/4"	3/A8.1	-	A		
167	LAB	NA	FRAMED OPENING	NA	2	HM	PAINT	4'-0"	6'-8"	1 3/4"	11/A8.1	-	NA		
168A	ENTRY	SF	AL / GLASS	ANOD	AL	AL	ANOD	PAIR 3'-0"	7'-0"	1 3/4"	4-7/A8.2	-	F	SEE A8.2 FOR STOREFRONT DOOR TYPE	
168B	VESTIBULE	SF	AL / GLASS	ANOD	AL	AL	ANOD	PAIR 3'-0"	7'-0"	1 3/4"	4-7/A8.2	-	F1	SEE A8.2 FOR STOREFRONT DOOR TYPE	
169	PED EXAM	A	WD	STAIN	1	HM	PAINT	3'-0"	6'-8"	1 3/4"	3/A8.1	-	D		
170	TOILET	A	WD	STAIN	1	HM	PAINT	3'-0"	6'-8"	1 3/4"	3/A8.1	-	C		
171	OFFICE	A	WD	STAIN	1	HM	PAINT	3'-0"	6'-8"	1 3/4"	3/A8.1	-	A		
172	PED EXAM	A	WD	STAIN	1	HM	PAINT	3'-0"	6'-8"	1 3/4"	3/A8.1	-	D		
173	SUPPLY	A	WD	STAIN	1	HM	PAINT	3'-0"	6'-8"	1 3/4"	3/A8.1	-	B		
174	JANITOR CLOSET	A	WD	STAIN	1	HM	PAINT	3'-0"	6'-8"	1 3/4"	3/A8.1	-	B		
176	TOILET	A	WD	STAIN	1	HM	PAINT	3'-0"	6'-8"	1 3/4"	3/A8.1	-	C		
177A	OFFICE MGR	A	WD	STAIN	1	HM	PAINT	3'-0"	6'-8"	1 3/4"	3/A8.1	-	A		
177B	OFFICE MGR	A	WD	STAIN	1	HM	PAINT	3'-0"	6'-8"	1 3/4"	POCKET DOOR	-	J		
178	RECEPTION	A	WD	STAIN	1	HM	PAINT	3'-0"	6'-8"	1 3/4"	3/A8.1	-	D		
179	OFFICE	A	WD	STAIN	1	HM	PAINT	3'-0"	6'-8"	1 3/4"	3/A8.1	-	A		
182A	CORRIDOR	A	MTL	PAINT	1	HM	PAINT	3'-0"	7'-0"	1 3/4"	4-5-6/A8.1	-	G		
182B	CORRIDOR	A	WD	PAINT	1	HM	PAINT	3'-0"	6'-8"	1 3/4"	3/A8.1	-	A		
183	CORRIDOR	A	MTL	PAINT	1	HM	PAINT	3'-0"	7'-0"	1 3/4"	4-5-6/A8.1	-	G		



GEORGIA MOUNTAINS HEALTH SERVICES, INC.
HIGHLAND CROSSING SOUTH TRACT G
EAST ELLIJAY, GEORGIA



ISSUE DATES
INITIAL 09-04-2020
1.
2.
3.
4.
5.
6.

JOB NO. 19-068 | D'WN | CKD
A8.1
DOOR SCHEDULE