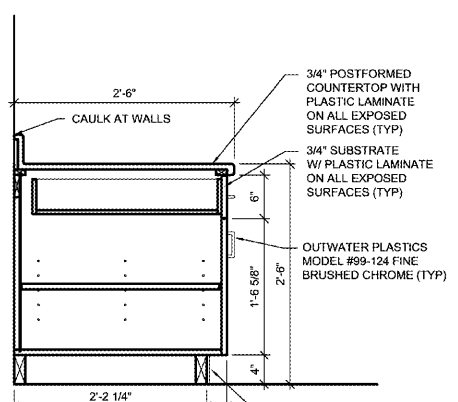
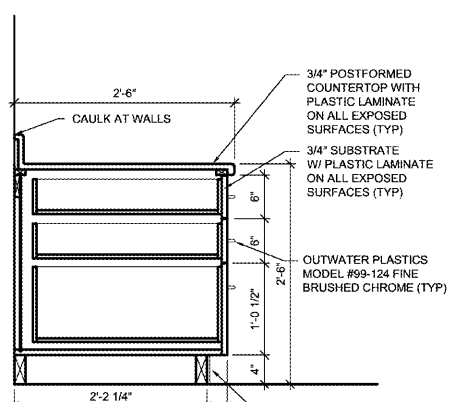


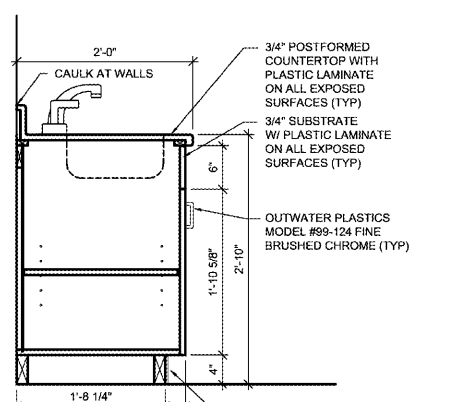
1 SECTION
SCALE: 1" = 1'-0"
MED. RECEPTION



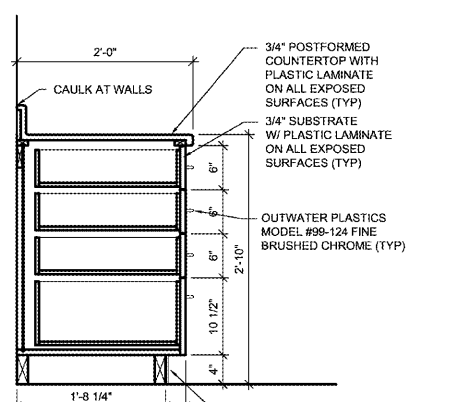
2 SECTION
SCALE: 1" = 1'-0"
MED. RECEPTION



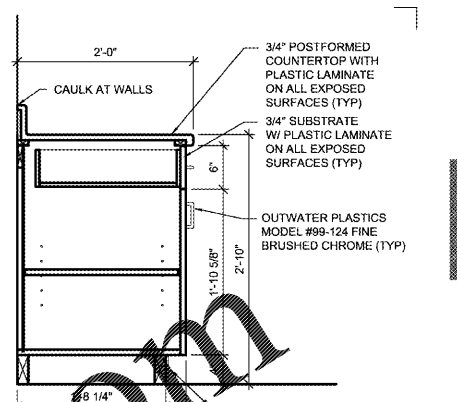
3 SECTION
SCALE: 1" = 1'-0"
MED. RECEPTION / NURSES



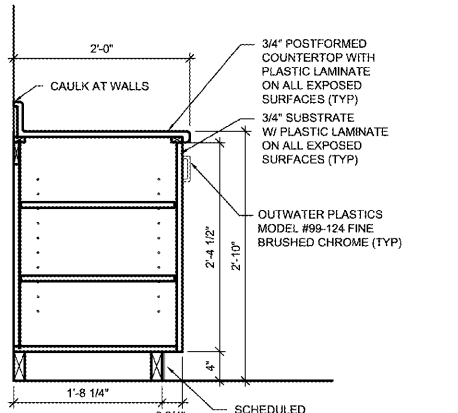
4 SECTION
SCALE: 1" = 1'-0"
BREAK RM / EXAM RM 20



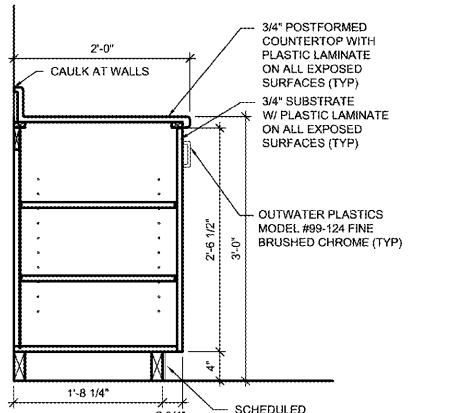
5 SECTION
SCALE: 1" = 1'-0"
LAB



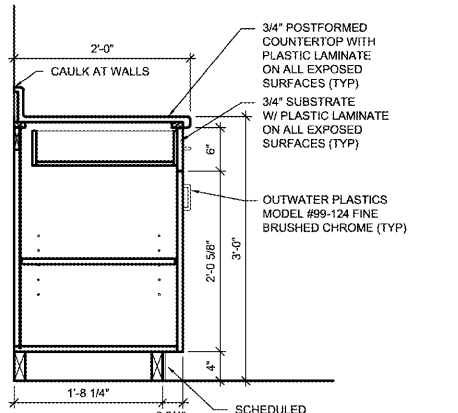
6 SECTION
SCALE: 1" = 1'-0"
LAB



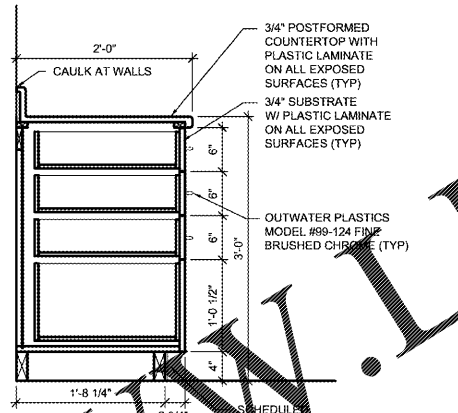
7 SECTION
SCALE: 1" = 1'-0"
LAB



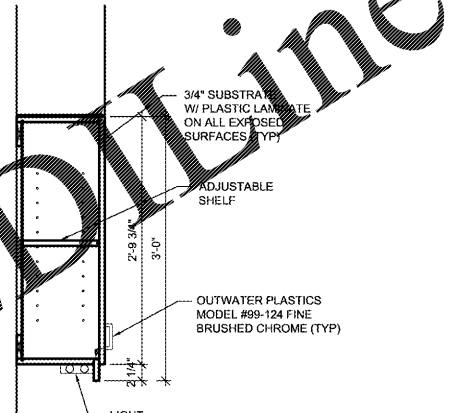
8 SECTION
SCALE: 1" = 1'-0"
VACCINE



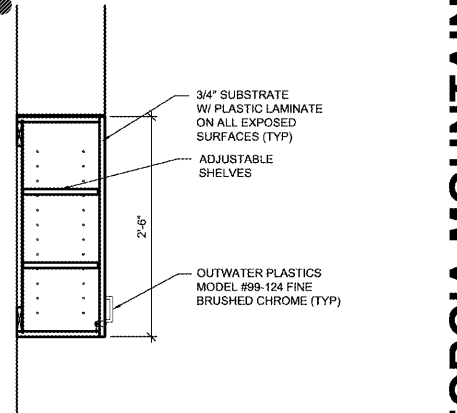
9 SECTION
SCALE: 1" = 1'-0"
BREAK ROOM



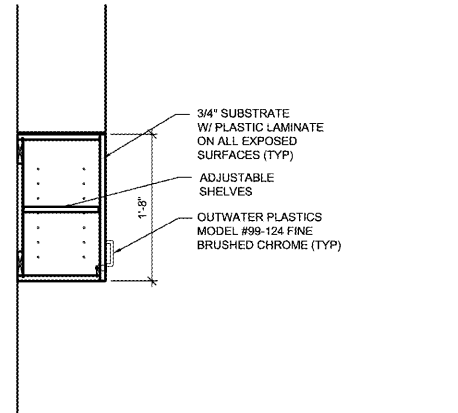
10 SECTION
SCALE: 1" = 1'-0"
BREAK ROOM



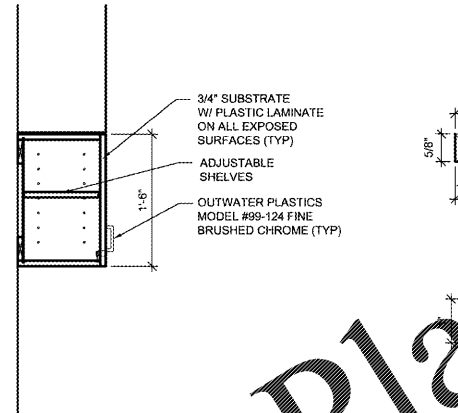
11 SECTION
SCALE: 1" = 1'-0"
PHYSICIAN STATION



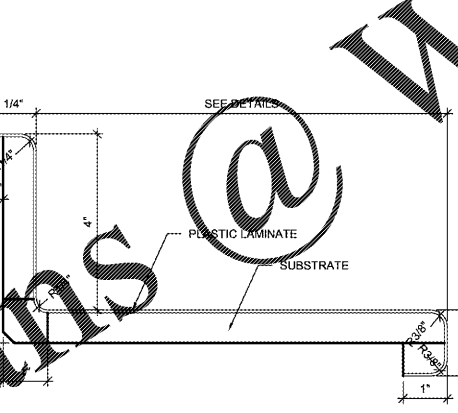
12 SECTION
SCALE: 1" = 1'-0"
BREAK ROOM-LAB-EXAM



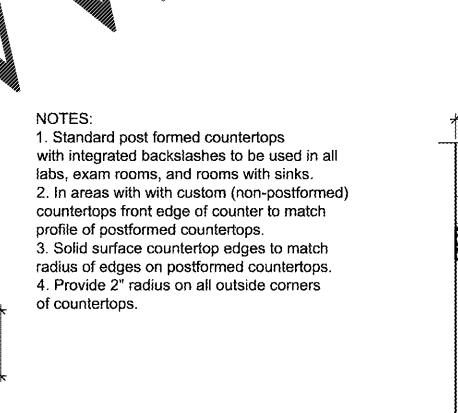
13 SECTION
SCALE: 1" = 1'-0"
LAB



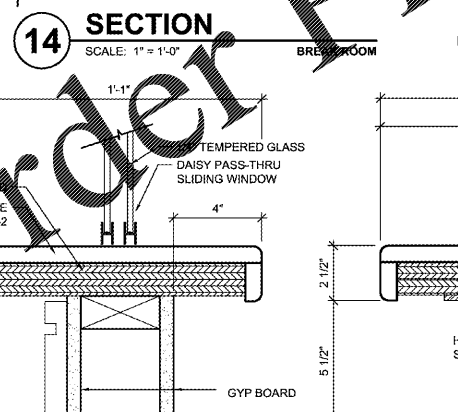
14 SECTION
SCALE: 1" = 1'-0"
BREAK ROOM



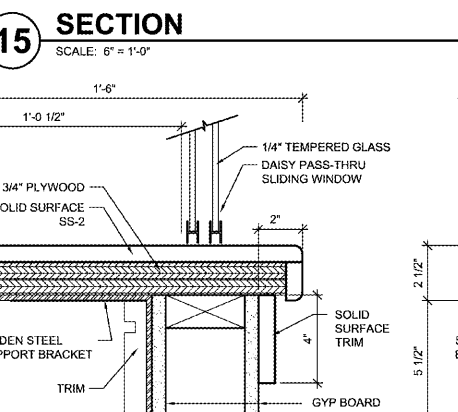
15 SECTION
SCALE: 6" = 1'-0"
POSTFORMED COUNTERTOP



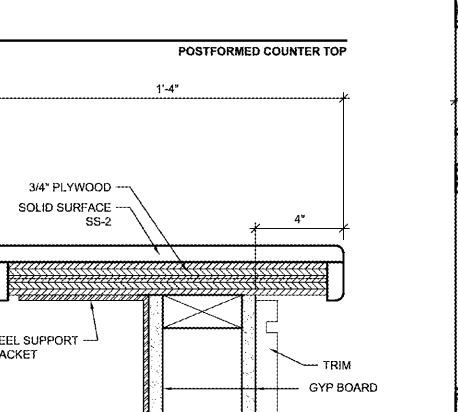
16 SECTION
SCALE: 3" = 1'-0"
SLIDING WINDOW HEAD



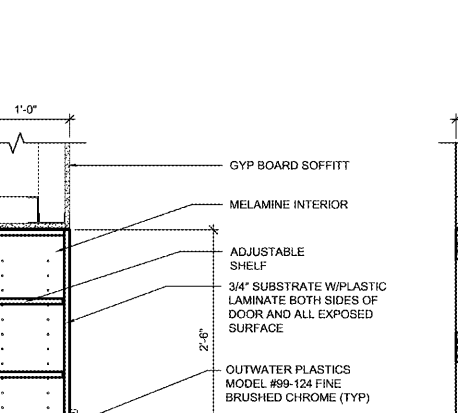
17 SECTION
SCALE: 3" = 1'-0"
MED. CHECK OUT



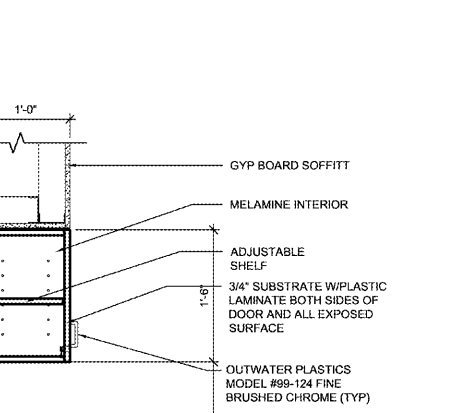
18 SECTION
SCALE: 3" = 1'-0"
MED. RECEPTION



19 SECTION
SCALE: 3" = 1'-0"
DENTAL RECEPTION



20 SECTION
SCALE: 1" = 1'-0"
CASEWORK (BREAKROOM)



21 SECTION
SCALE: 1" = 1'-0"
CASEWORK (BREAKROOM)

NOTES:
1. Standard post formed countertops with integrated backslashes to be used in all labs, exam rooms, and rooms with sinks.
2. In areas with with custom (non-postformed) countertops front edge of counter to match profile of postformed countertops.
3. Solid surface countertop edges to match radius of edges on postformed countertops.
4. Provide 2" radius on all outside corners of countertops.

Order Plans @ www.LDOnline.com



ISSUE DATES

INITIAL	09-04-2020
1.	
2.	
3.	
4.	
5.	
6.	

JOB NO. 19-068 | D'WN | CK'D