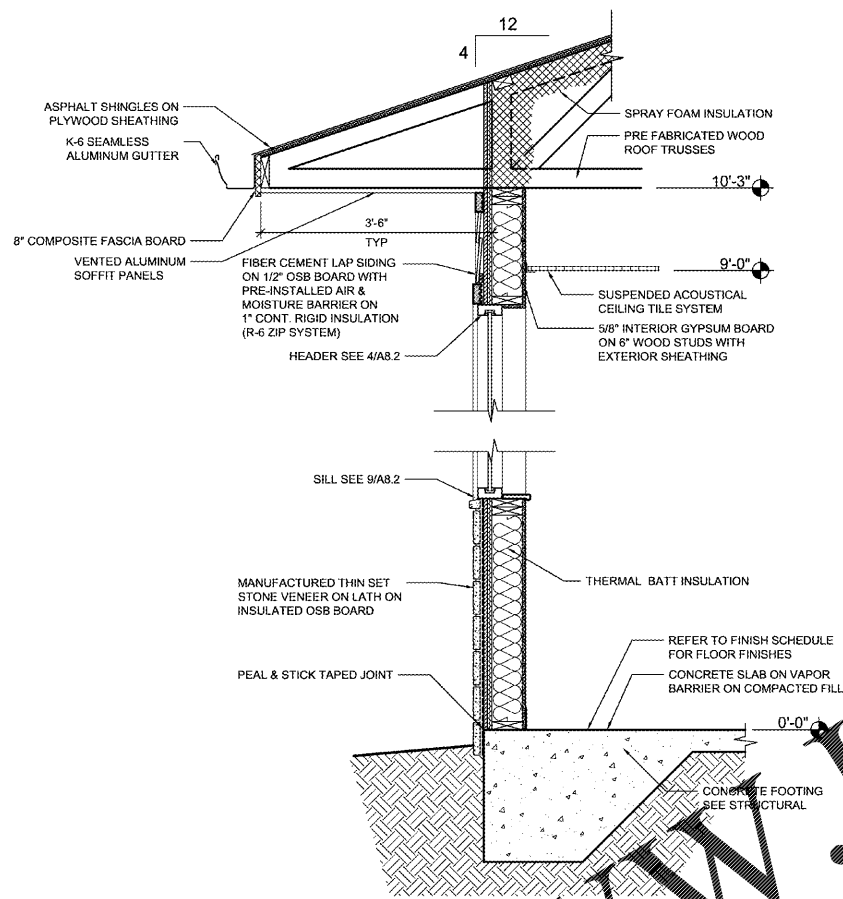
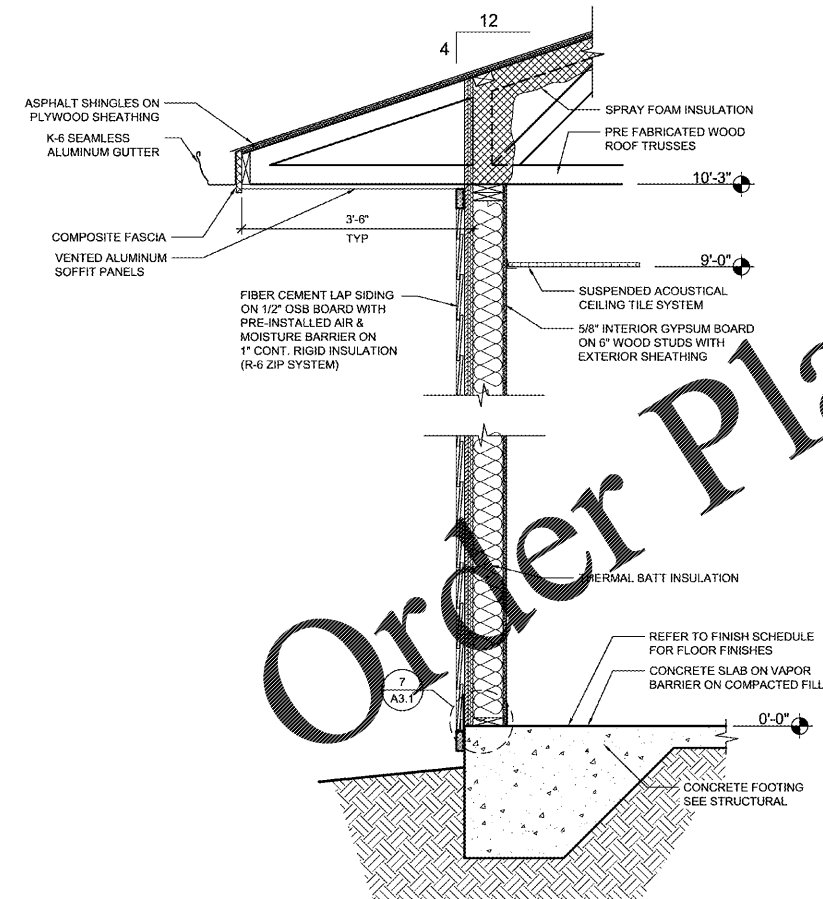


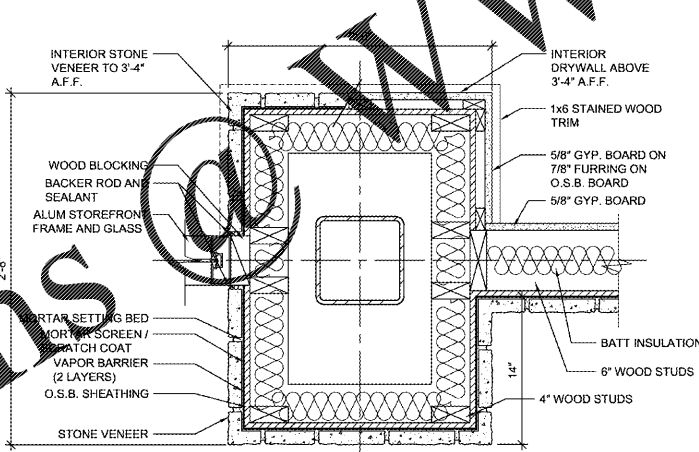
**1 WALL SECTION**  
SCALE: 3/4" = 1'-0"



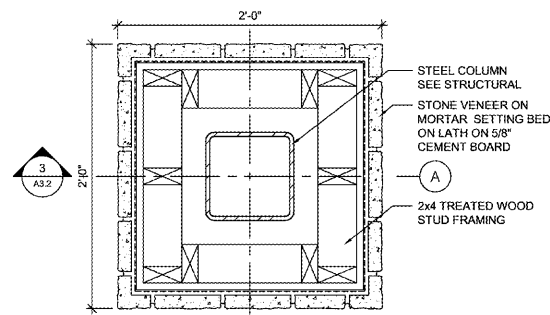
**2 WALL SECTION**  
SCALE: 3/4" = 1'-0"



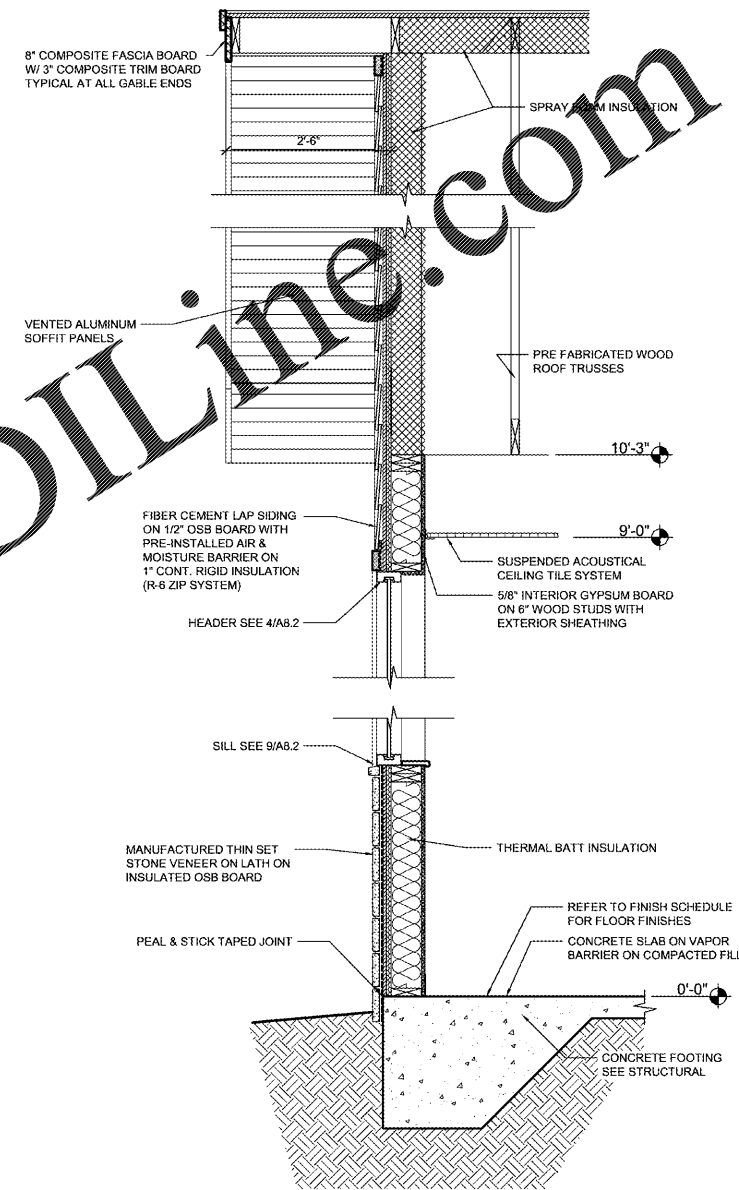
**3 WALL SECTION**  
SCALE: 3/4" = 1'-0"



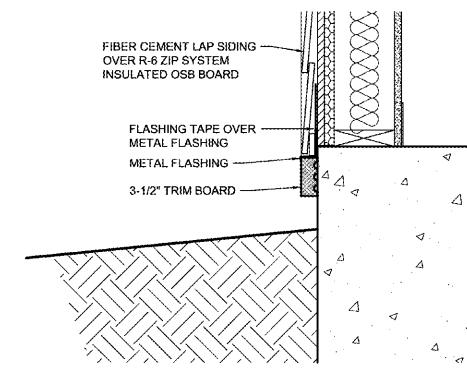
**4 ENTRY PILASTER**  
SCALE: 1 1/2" = 1'-0"



**6 DRIVE-THRU COLUMN**  
SCALE: 1 1/2" = 1'-0"



**5 WALL SECTION**  
SCALE: 3/4" = 1'-0"



**7 BASE FLASHING**  
SCALE: 1 1/2" = 1'-0"

Order Plans @ [www.LDILine.com](http://www.LDILine.com)



ISSUE DATES

INITIAL	DATE
1.	09-04-2020
2.	
3.	
4.	
5.	
6.	

JOB NO. 19-068 | D'WN | CK'D

**A3.1**  
SECTIONS