

| TYPE OF SPECIES | YEAR | ANALYSIS OR EQUIVALENT N-F-K | RATE | N TOP DRESSING RATE | MULCHING APPLICATION REQUIREMENTS | DEPTH |
|------------------------------------|-------------------|--------------------------------|---|---------------------------|-----------------------------------|-----------|
| 1. COOL SEASON GRASSES | FIRST MAINTENANCE | 6-12-12 8-12-12 10-10-10 | 1500 LBS./AC. 1500 LBS./AC. 1500 LBS./AC. | 50-100 LBS./AC. 1/2" 2/3" | MULCHING RATE | 6" TO 10" |
| 2. COOL SEASON GRASSES AND LEGUMES | FIRST MAINTENANCE | 6-12-12 8-12-12 10-10-10 | 1500 LBS./AC. 1500 LBS./AC. 1500 LBS./AC. | 0-80 LBS./AC. 1/2" | MULCHING RATE | 6" TO 10" |
| 3. GRASSY PERENNIALS | FIRST MAINTENANCE | 6-12-12 8-12-12 10-10-10 | 1500 LBS./AC. 1500 LBS./AC. 1500 LBS./AC. | 0-80 LBS./AC. 1/2" | MULCHING RATE | 6" TO 10" |
| 4. WARM SEASON GRASSES | FIRST MAINTENANCE | 6-12-12 8-12-12 10-10-10 | 1500 LBS./AC. 1500 LBS./AC. 1500 LBS./AC. | 0-80 LBS./AC. 1/2" | MULCHING RATE | 6" TO 10" |
| 5. WARM SEASON GRASSES AND LEGUMES | FIRST MAINTENANCE | 6-12-12 8-12-12 10-10-10 | 1500 LBS./AC. 1500 LBS./AC. 1500 LBS./AC. | 0-80 LBS./AC. 1/2" | MULCHING RATE | 6" TO 10" |

1. APPLY IN SPRING FOLLOWING SETTING.
2. APPLY IN SPLIT APPLICATIONS WHEN HIGH RAINFALL ARE USED.
3. APPLY IN 3 SPLIT APPLICATIONS.
4. APPLY WHEN PLANTS ARE ESTABLISHED.
5. APPLY TO GRASS SPECIES ONLY.
6. APPLY WHEN PLANTS GROW TO A HEIGHT OF 2 TO 4 INCHES.
- MULCHING RATES:
1. DRY STAMP 2-3 TONS PER ACRE.
2. DRY HAY 2-1/2 TONS PER ACRE.
3. FOR HYDRALIC SETTING USE WOOD CHIPPINGS WASH OF WOOD PULP PAPER AT THE RATE OF 500 POUNDS / ACRE.

DS1 FERTILIZER & MULCHING REQUIREMENTS

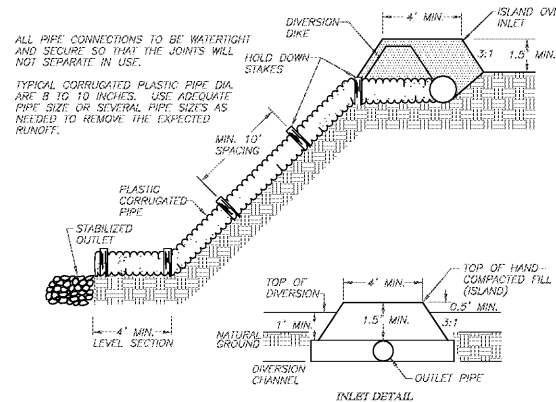
| SPECIES | BROADCAST PER ACRE PER 1000 SQ. FT. | RESOURCE | PLANTING DATES | REMARKS |
|----------------------------|-------------------------------------|----------|------------------------------------|--|
| GRASSY PERENNIALS (ALBINO) | 144 LBS. 3.3 LBS. | M-L | J, F, M, A, M, J, J, A, S, O, N, D | 14,000 SEEDS PER POUND. WINTER-HARDY. USE ON PRODUCTIVE SOILS. |
| PERENNIALS (ALBINO) | 40 LBS. 0.9 LBS. | M-L | J, F, M, A, M, J, J, A, S, O, N, D | 200,000 SEEDS PER POUND. WINTER-HARDY. USE ON PRODUCTIVE SOILS. STARS USE INDICATED TL. |
| PERENNIALS (ALBINO) | 40 LBS. 0.9 LBS. | M-L | J, F, M, A, M, J, J, A, S, O, N, D | 1,200,000 SEEDS PER POUND. WINTER-HARDY. USE ON PRODUCTIVE SOILS. STARS USE INDICATED TL. |
| PERENNIALS (ALBINO) | 40 LBS. 0.9 LBS. | M-L | J, F, M, A, M, J, J, A, S, O, N, D | 1,200,000 SEEDS PER POUND. WINTER-HARDY. USE ON PRODUCTIVE SOILS. STARS USE INDICATED TL. |
| PERENNIALS (ALBINO) | 40 LBS. 0.9 LBS. | M-L | J, F, M, A, M, J, J, A, S, O, N, D | 227,000 SEEDS PER POUND. DENSE COVER. VERY COMPETITIVE. USE ON PRODUCTIVE SOILS. STARS USE INDICATED TL. |

DS2 DISTURBED AREA STABILIZATION (TEMP)

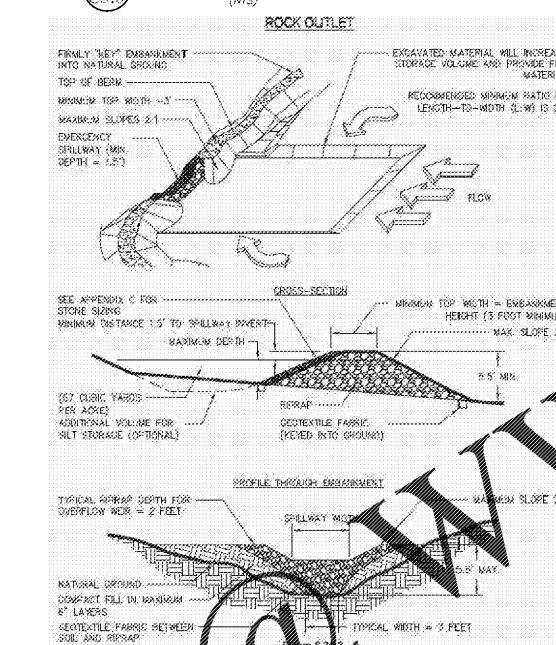
| SPECIES | BROADCAST PER ACRE PER 1000 SQ. FT. | RESOURCE | PLANTING DATES | REMARKS |
|---------------------|-------------------------------------|----------|------------------------------------|---|
| PERENNIALS (ALBINO) | 10 LBS. 0.2 LBS. | M-L | J, F, M, A, M, J, J, A, S, O, N, D | 1,700,000 SEEDS PER POUND. SOIL COVER. LOW GROWING. GOOD FOR AESTHETIC VALUE. PLANT WITH WINTER ANNUALS PLANT WITH TALL PERENNIALS. |
| PERENNIALS (ALBINO) | 10 LBS. 0.2 LBS. | M-L | J, F, M, A, M, J, J, A, S, O, N, D | 1,700,000 SEEDS PER POUND. SOIL COVER. LOW GROWING. GOOD FOR AESTHETIC VALUE. PLANT WITH WINTER ANNUALS PLANT WITH TALL PERENNIALS. |
| PERENNIALS (ALBINO) | 10 LBS. 0.2 LBS. | M-L | J, F, M, A, M, J, J, A, S, O, N, D | 1,700,000 SEEDS PER POUND. SOIL COVER. LOW GROWING. GOOD FOR AESTHETIC VALUE. PLANT WITH WINTER ANNUALS PLANT WITH TALL PERENNIALS. |
| PERENNIALS (ALBINO) | 10 LBS. 0.2 LBS. | M-L | J, F, M, A, M, J, J, A, S, O, N, D | 1,700,000 SEEDS PER POUND. SOIL COVER. LOW GROWING. GOOD FOR AESTHETIC VALUE. PLANT WITH WINTER ANNUALS PLANT WITH TALL PERENNIALS. |
| PERENNIALS (ALBINO) | 10 LBS. 0.2 LBS. | M-L | J, F, M, A, M, J, J, A, S, O, N, D | 1,700,000 SEEDS PER POUND. SOIL COVER. LOW GROWING. GOOD FOR AESTHETIC VALUE. PLANT WITH WINTER ANNUALS PLANT WITH TALL PERENNIALS. |

DS3 DISTURBED AREA STABILIZATION (PERM)

| SPECIES | BROADCAST PER ACRE PER 1000 SQ. FT. | RESOURCE | PLANTING DATES | REMARKS |
|---------------------|-------------------------------------|----------|------------------------------------|---|
| PERENNIALS (ALBINO) | 10 LBS. 0.2 LBS. | M-L | J, F, M, A, M, J, J, A, S, O, N, D | 1,700,000 SEEDS PER POUND. SOIL COVER. LOW GROWING. GOOD FOR AESTHETIC VALUE. PLANT WITH WINTER ANNUALS PLANT WITH TALL PERENNIALS. |
| PERENNIALS (ALBINO) | 10 LBS. 0.2 LBS. | M-L | J, F, M, A, M, J, J, A, S, O, N, D | 1,700,000 SEEDS PER POUND. SOIL COVER. LOW GROWING. GOOD FOR AESTHETIC VALUE. PLANT WITH WINTER ANNUALS PLANT WITH TALL PERENNIALS. |
| PERENNIALS (ALBINO) | 10 LBS. 0.2 LBS. | M-L | J, F, M, A, M, J, J, A, S, O, N, D | 1,700,000 SEEDS PER POUND. SOIL COVER. LOW GROWING. GOOD FOR AESTHETIC VALUE. PLANT WITH WINTER ANNUALS PLANT WITH TALL PERENNIALS. |
| PERENNIALS (ALBINO) | 10 LBS. 0.2 LBS. | M-L | J, F, M, A, M, J, J, A, S, O, N, D | 1,700,000 SEEDS PER POUND. SOIL COVER. LOW GROWING. GOOD FOR AESTHETIC VALUE. PLANT WITH WINTER ANNUALS PLANT WITH TALL PERENNIALS. |
| PERENNIALS (ALBINO) | 10 LBS. 0.2 LBS. | M-L | J, F, M, A, M, J, J, A, S, O, N, D | 1,700,000 SEEDS PER POUND. SOIL COVER. LOW GROWING. GOOD FOR AESTHETIC VALUE. PLANT WITH WINTER ANNUALS PLANT WITH TALL PERENNIALS. |



DD DETAIL: DOWNDRAIN DETAIL (NTS)



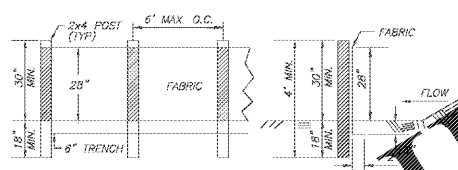
SD1 DETAIL: SILTSAYER TYPE (NTS)

THE ESCAPE OF SEDIMENT FROM THE SITE SHALL BE PREVENTED BY THE INSTALLATION OF EROSION CONTROL MEASURES AND PRACTICES PRIOR TO, OR CONCURRENT WITH LAND DISTURBANCE ACTIVITIES.

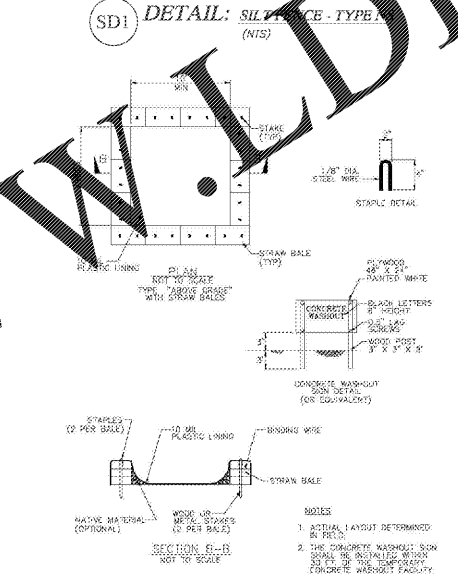
TOPSOIL STOCKPILE AREA SHALL BE COVERED WITH BLACK PLASTIC.

| WIDTH OF FABRIC (36") | MINIMUM LENGTH | TYPE OF POST | SIZE OF POST |
|-----------------------|----------------|--------------|-------------------------------|
| TYPE A (36") | 4' | SOFT WOOD | 3" DIA. OR 3/4" DIA. X 1.5" |
| TYPE B (36") | 5' | STEEL | 1.5" DIA. OR 1/2" DIA. X 1.5" |
| TYPE C (36") | 6' | STEEL | 1.5" DIA. OR 1/2" DIA. X 1.5" |

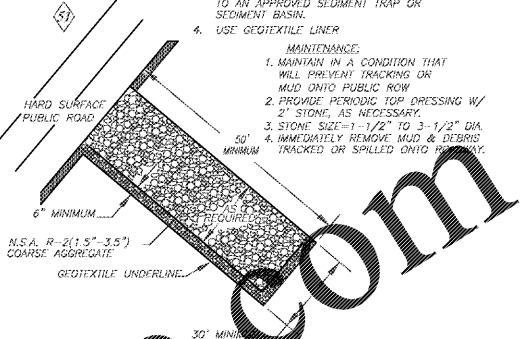
| FASTENERS FOR WOOD POSTS | FASTENERS FOR STEEL POSTS |
|--------------------------|---------------------------|
| WIRE STAPLES | STAPLES/POST |
| GAUGE | GAUGE |
| 14 MIN | 14 MIN |
| 1" | 3/4" |
| | 4 MIN |



SD1 DETAIL: SILTSAYER TYPE (NTS)

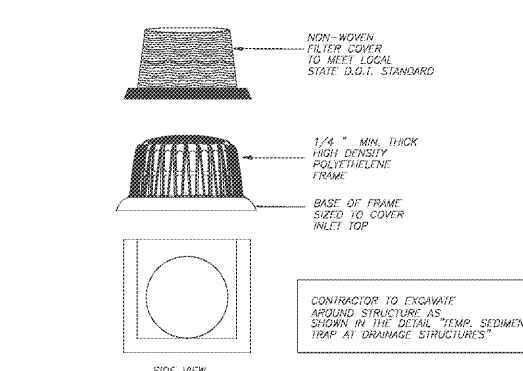


CW DETAIL: CONCRETE WASHOUT (NTS)

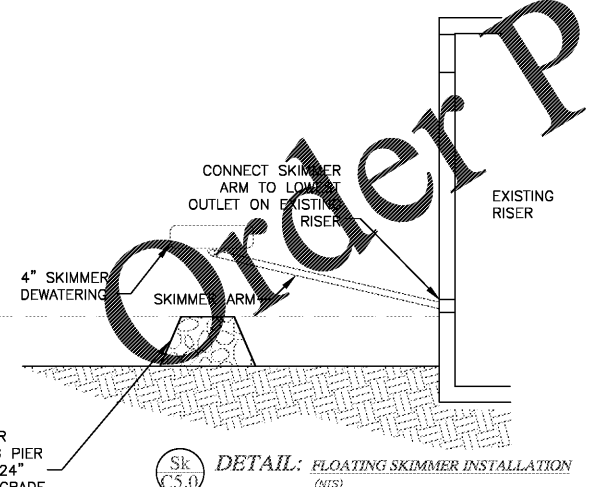


CO DETAIL: STONE PAD CONSTRUCTION EXIT (NTS)

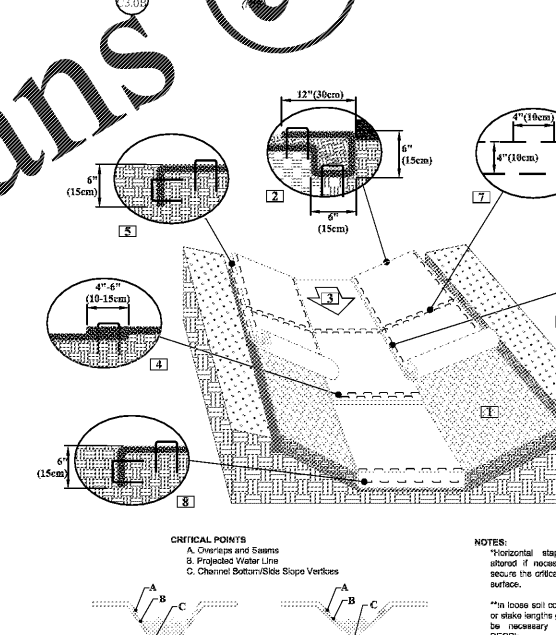
- TYPICAL CONSTRUCTION SEQUENCE:**
- EXCAVATE APPROXIMATELY 4" TO 6" BELOW THE TOP OF THE INLET STRUCTURE.
 - PLACE THE FRAME ONTO THE INLET STRUCTURE.
 - ENSURE PROPER SEATING OF FRAME TO STRUCTURE.
 - SLIDE THE FILTER OVER THE FRAME.
 - BACK FILL AROUND THE FRAME AND FILTER ASSEMBLY IS NOT REQUIRED TO COMPLETE INSTALLATION; HOWEVER, BACK FILLING MAY BE NECESSARY TO COMPLETE EXCAVATION REQUIREMENTS FOR THE SITE.



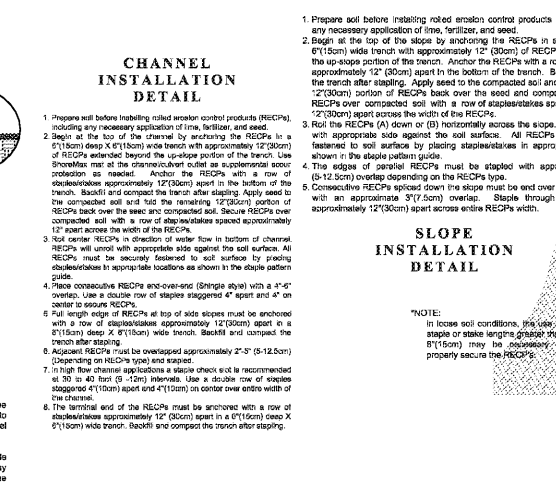
SD1 DETAIL: SILTSAYER INLET PROTECTION (NTS)



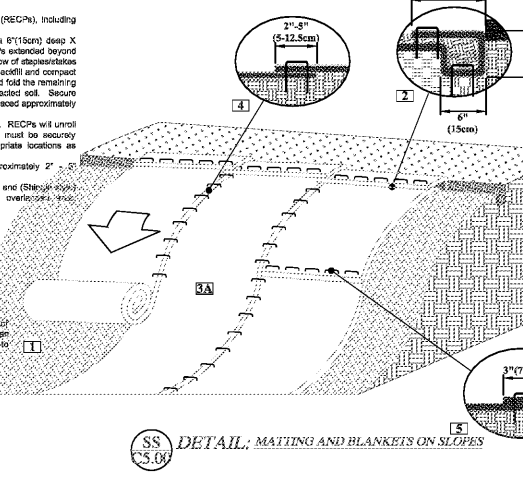
Sk CS.0 DETAIL: FLOATING SKIMMER INSTALLATION (NTS)



ST CS.0 DETAIL: MATTING AND BLANKETS IN CHANNELS (NTS)



SS CS.0 DETAIL: MATTING AND BLANKETS ON SLOPES (NTS)



SS CS.0 DETAIL: MATTING AND BLANKETS ON SLOPES (NTS)

ART ARCHITECTURE & INTERIORS
ARTCH DESIGN GROUP, INC.
CHATTANOOGA, TN 37408
623-265-4315

GEORGIA MOUNTAINS HEALTH SERVICES, INC.
HIGHLAND CROSSING SOUTH TRACT G
EAST ELLIJAY, GEORGIA

Level II Design Professional Certification #35390

ISSUE DATES
INITIAL 09-04-2020
1.
2.
3.
4.
5.
6.

JOB NO. 19-066 | D'WN JP | CKD MH
C5.00
SEDIMENT AND EROSION CONTROL NOTES

MA & A March Adams & Associates
310 Dodds Ave.
P.O. Box 3689
Chattanooga, Tennessee 37404
PH (423) 698-6675
MAA # 20109