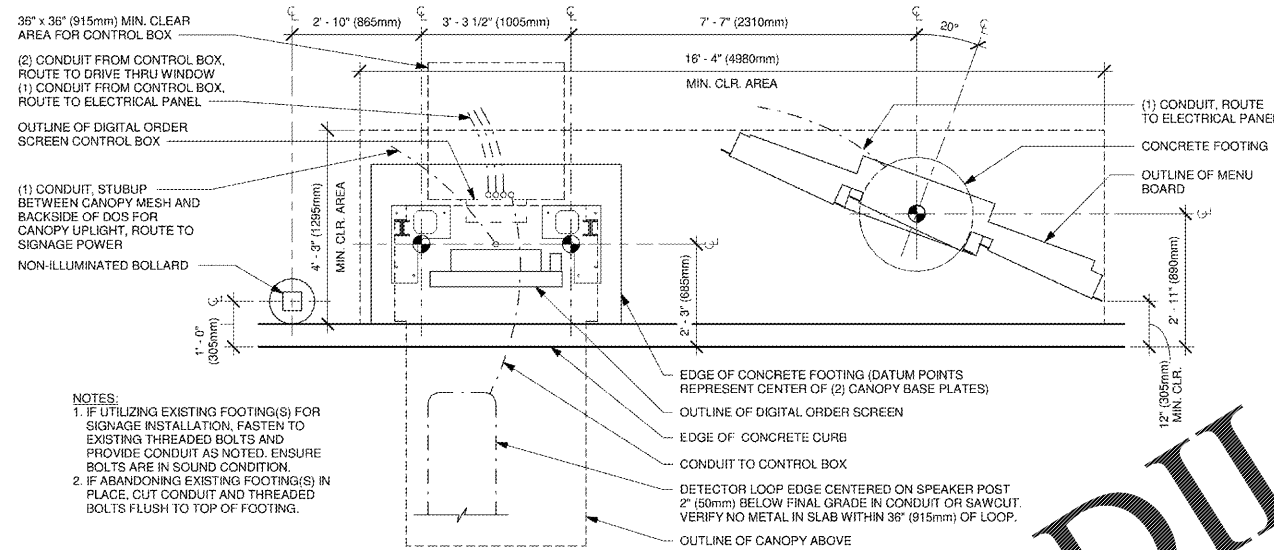


KEYED NOTES - DRIVE THRU EQUIPMENT:

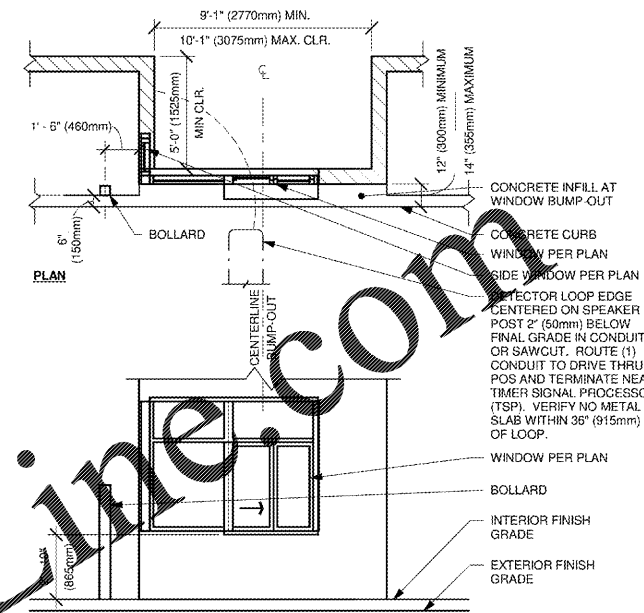
- ELECTRICAL**
- 1" UNDERGROUND EMPTY POWER CONDUIT WITH (1) PULL STRING TOTAL TO PANEL
 - "B" CONNECTION TO DCB.
 - 1" UNDERGROUND EMPTY POWER CONDUIT WITH (2) PULL STRINGS TOTAL TO PANEL
 - "B" CONNECTIONS TO CANOPY LIGHT AND DIGITAL MENU BOARD.
 - CONDUIT STUB UP AT FOUNDATION LOCATION.
 - 3/4" UNDERGROUND EMPTY POWER CONDUIT TO CANOPY UPLIGHT.
 - 3/4" UNDERGROUND EMPTY POWER CONDUIT TO DIGITAL MENU BOARD.
 - NOT USED.

- DATA**
- 1" UNDERGROUND EMPTY DATA CONDUIT WITH (1) PULL STRING TOTAL TO BUMP BOX AT DRIVE-THRU.
 - 1" UNDERGROUND EMPTY DATA CONDUIT WITH (2) PULL STRINGS TOTAL TO BUMP BOX AT DRIVE-THRU.
 - 3/4" UNDERGROUND EMPTY DATA CONDUIT WITH (1) PULL STRING TO DRIVE-THRU LOOP. EXTEND CONDUIT TO EDGE OF CURB.



DTE - 5 PANEL 20° DT MENU BOARD, DIGITAL ORDER SCREEN WITH CANOPY

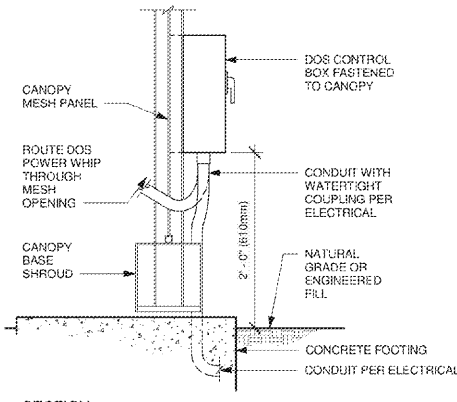
Scale: 1/2" = 1'-0"



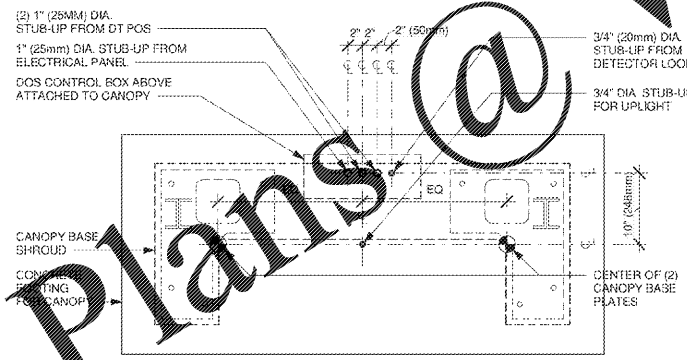
ELEVATION

DTE - DRIVE THRU WINDOW BUMP-OUT

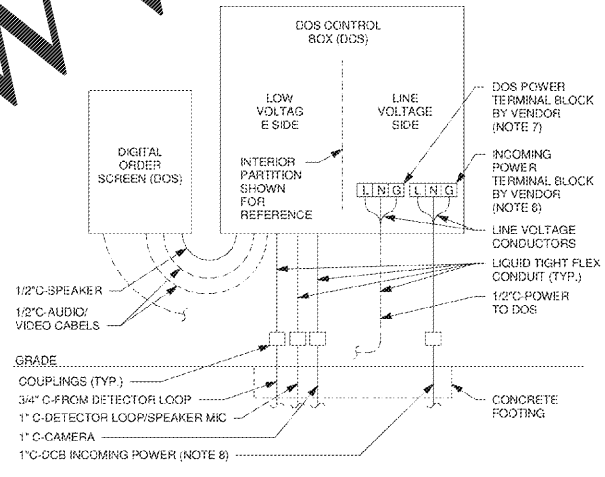
Scale: 1/4" = 1'-0"



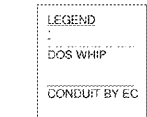
DTE - DOS CONTROL BOX AT CANOPY - SECTION



DTE - DOS CONTROL BOX CONDUIT STUB-UPS AT CANOPY



DTE - DOS CONTROL BOX WIRING



- NOTES:**
1. ALL SHOWN SHALL BE INSTALLED PER THIS DETAIL, DOOR AND MANUFACTURER'S INSTRUCTIONS
 2. CONFIRM MOUNTING POSITIONS OF ALL DEVICES SHOWN WITH GC AND VENDOR.
 3. EC TO PROVIDE, INSTALL AND CONNECT ALL LINE VOLTAGE CONDUCTORS.
 4. EC TO CONNECT DEDICATED POWER BETWEEN DOS AND DCB
 5. DCB VENDOR TO CONNECT ALL LOW VOLTAGE CABLING, INCLUDING DOS WHIPS TO DCB.
 6. TERMINATE INCOMING POWER ON TERMINAL BLOCKS LABELED INCOMING DEDICATED POWER.
 7. TERMINATE POWER TO DOS ON TERMINAL BLOCKS LABELED DOS DEDICATED POWER.
 8. POWER TO DCB SHALL BE INDIVIDUAL BRANCH CIRCUIT IN DEDICATED CONDUIT (I.E. NOT BE ON EMS OR LIGHTING CONTROL).

Order Plans @ www.LDilLine.com

OWNERS:
ESTEL DEVELOPMENT LLC
763 NE 193RD TERRACE
MIAMI, FL 33179

NO.	DATE	BY	REVISION

GERSHEN ASSOCIATES, P.A.
Architecture / Planning
Construction Consulting
9788 SOUTH DIXIE HIGHWAY, MIAMI, FLORIDA 33156
(305) 661-7125
REGISTRATION NO. AA 0002786

SCALE
DATE
PROJECT LOCATION

PROJECT LOCATION
ESTEL PLAZA
2890-2894 WEST BROWARD BLVD
FT LAUDERDALE, FLORIDA 33312
SHEET TITLE
DRIVE THRU DETAILS

GUERRERO/GONZALEZ ENGINEERS, INC.
Michael C. Guerrero, P.E.
Mechanical Eng. Lic. #15235
Rafael L. Gonzalez, P.E.
Electrical Eng. Lic. #11057
780 Tamiami Canal Road
Miami, Florida 33144-2553
Tel.(305) 262-3944, Fax (305) 262-8211
CA NO. 0007612

SHEET NO.
E-1.3
JOB NO.
2020-002