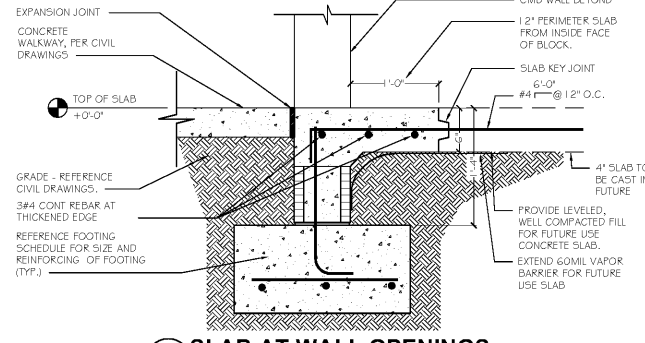
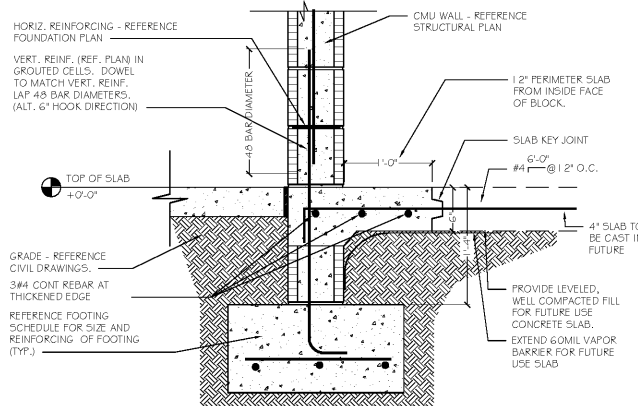


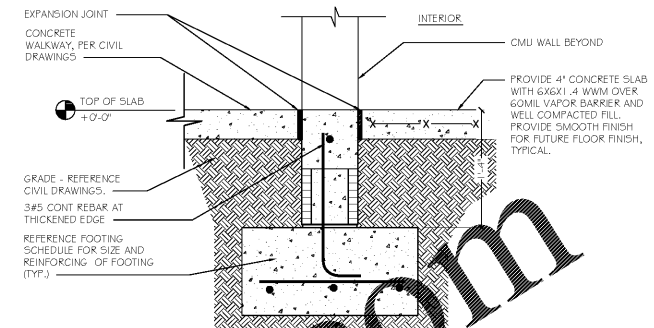
1 SLAB AT COLUMN FOOTER
SCALE: 1" = 1'-0"



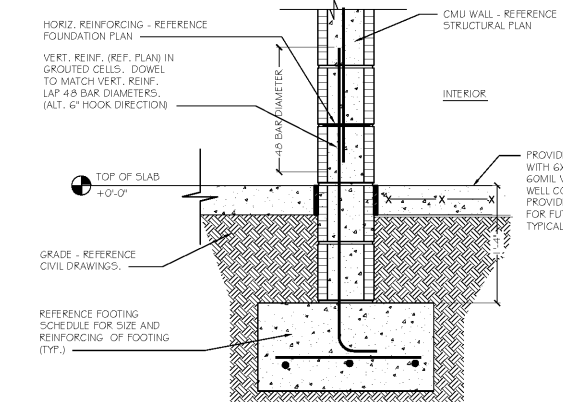
2 SLAB AT WALL OPENINGS
SCALE: 1" = 1'-0"



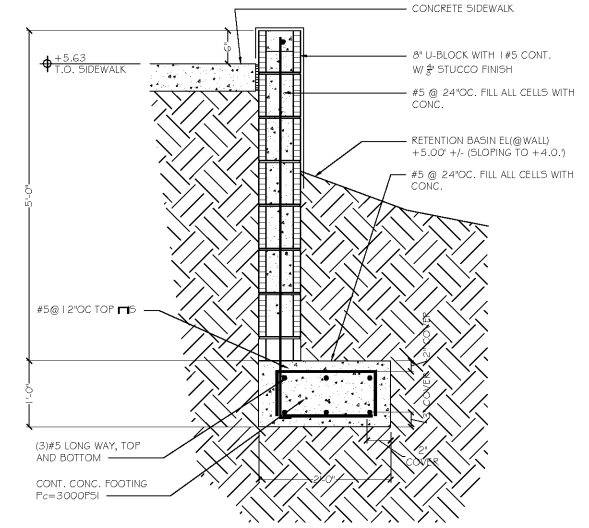
3 FOUNDATION DETAIL AT CAFE SPACE
SCALE: 1" = 1'-0"



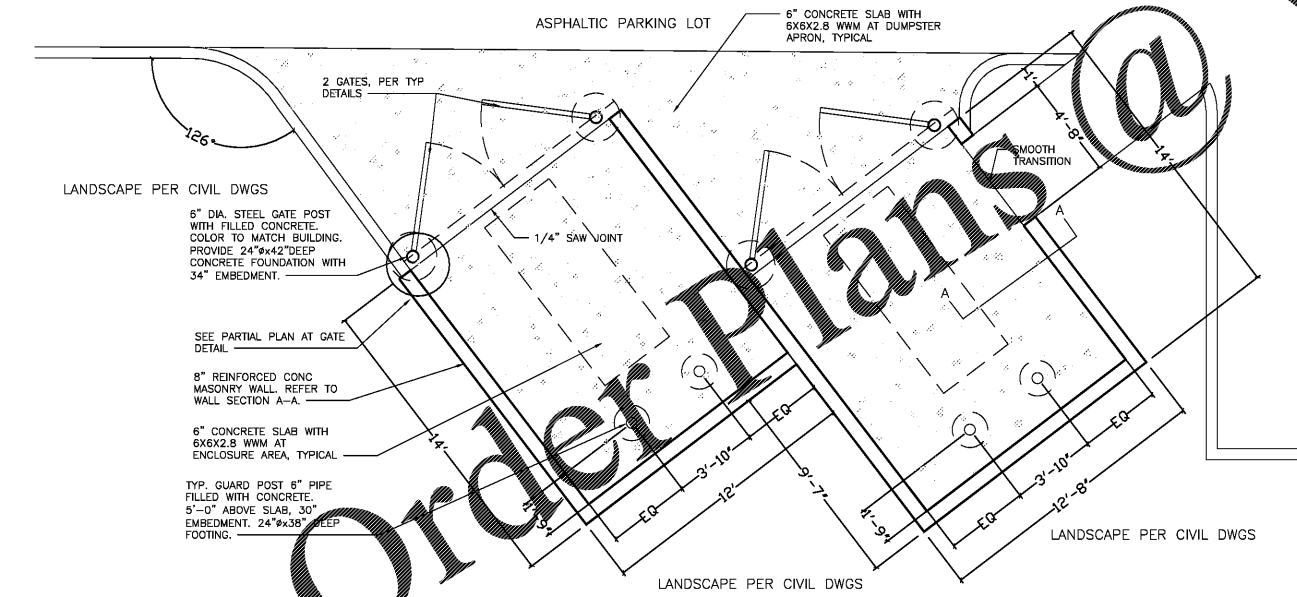
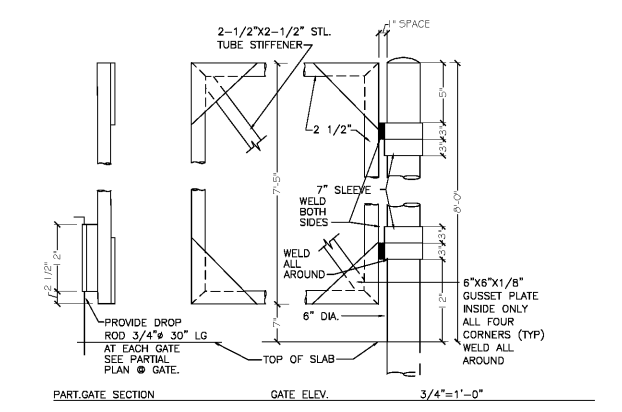
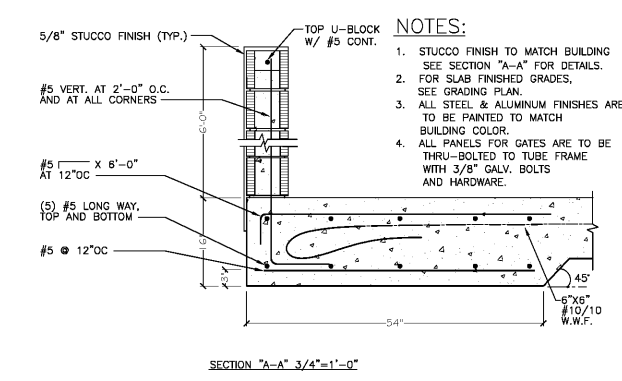
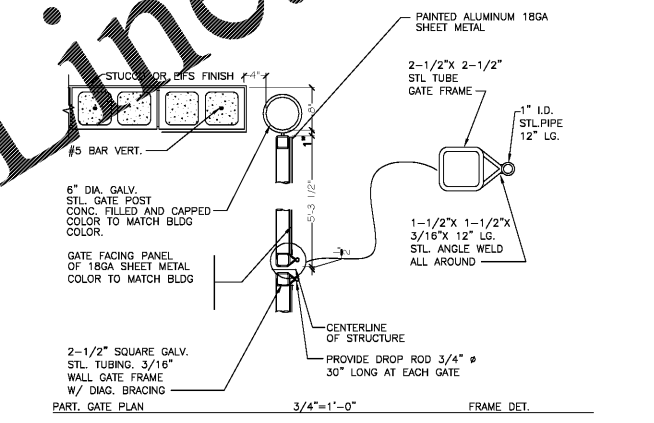
4 SLAB AT WALL OPENINGS
SCALE: 1" = 1'-0"



5 TYPICAL FOUNDATION DETAIL
SCALE: 1" = 1'-0"



6 RETAINING WALL DETAIL
SCALE: 3/4" = 1'-0"



7 DUMPSTER ENCLOSURE PLAN
SCALE: 1/4" = 1'-0"

WWW.LDILINE.COM

Order Plans @

OWNERS:
ESTEL DEVELOPMENT LLC
763 NE 193RD TERRACE
MIAMI, FL 33179

| DATE | SCALE | REVISION |
|---------|-------|----------|
| 8/14/20 | | |
| | | |
| | | |
| | | |
| | | |
| | | |
| | | |
| | | |
| | | |
| | | |

GERSHEN ASSOCIATES, P.A.
Architecture / Planning
Construction Consulting
9208 SOUTH DIXIE HIGHWAY, SUITE 3310B
MIAMI, FLORIDA 33156
(305) 861-7125
REGISTRATION NO. AA 0002786

SCALE
SHEET NO.
PROJECT LOCATION

PROJECT LOCATION
ESTEL PLAZA
2890-2894 WEST BROWARD BLVD
FT LAUDERDALE, FLORIDA 33312
SHEET TITLE
STRUCTURAL DETAILS

G.D. Klieger, Inc.
Consulting Structural Engineers
8300 SW 92 Terrace
Miami, Florida 33156
Phone: (954) 923-2111
MB 0004881
Gershon D. Klieger, PE
FL PE #36109

SHEET NO.
S2.0
JOB NO.
2020-002