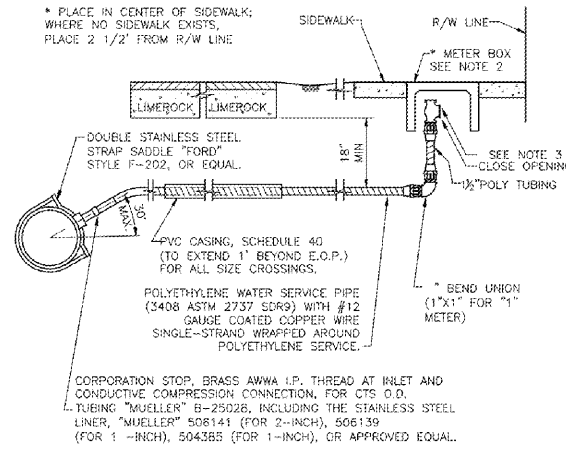


# WATER DETAILS PLAN

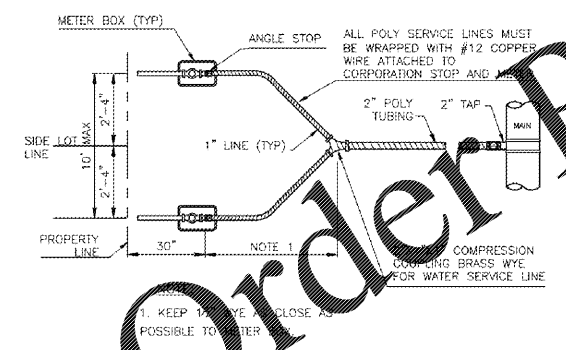
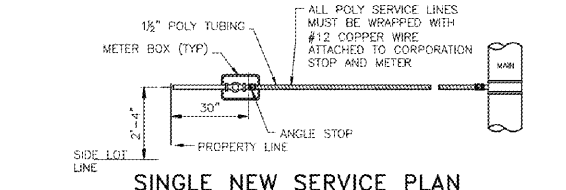


**TYPICAL WATER SERVICE INSTALLATION (300)**

*NOTE:*

- GROUND KEY ANGLE METER STOP CONDUCTIVE COMPRESSION FOR CTS O.D. TUBING, X METER FLANGE 180 TURN CHECK-LOCK WING "MUELLER" H-14277, FOR 2-INCH INCLUDING THE STAINLESS STEEL LINER, "MUELLER" 506141 (FOR 2-INCH), 506139 (FOR 1-INCH), 504385 (FOR 1-INCH), OR APPROVED EQUAL.
- METER BOXES FOR 5/8, 3/4, AND 1 INCH METERS SHALL BE THE OKIE DOKIE #260-40-260282 MEDIUM BOX AND 890-40-260257 MEDIUM LID OR EQUAL.
- CONNECT ANGLE VALVE TO EXISTING METER WHERE APPLICABLE.

TYPICAL WATER SERVICE INSTALLATION (300)

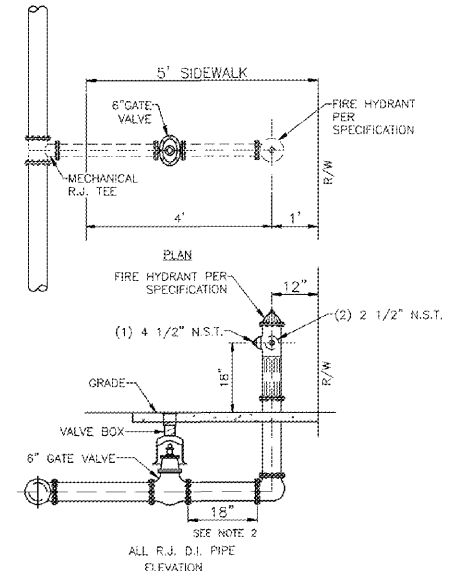


**TYPICAL WATER SERVICE (301)**

*NOTE:*

- KEEP VALVE AS CLOSE AS POSSIBLE TO METER.

TYPICAL WATER SERVICE (301)

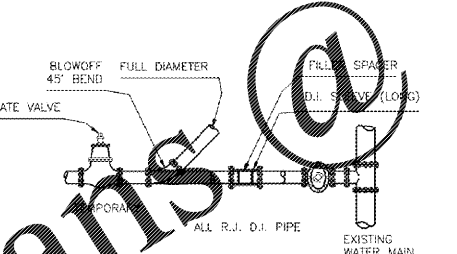


**TYPICAL NEW FIRE HYDRANT ASSEMBLY INSTALLATION (302)**

*NOTES:*

- ACTUAL LOCATION OF FIRE HYDRANT TO BE DECIDED IN THE FIELD WITH ENGINEER'S APPROVAL.
- KEEP VALVE AS CLOSE AS POSSIBLE TO THE HYDRANT.

TYPICAL NEW FIRE HYDRANT ASSEMBLY INSTALLATION (302)

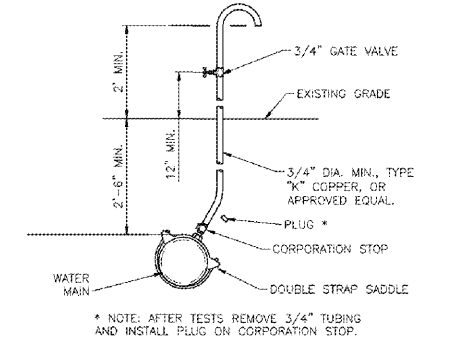


**FLUSHING CONNECTION AND BLOW OFF DETAIL (303)**

*NOTES:*

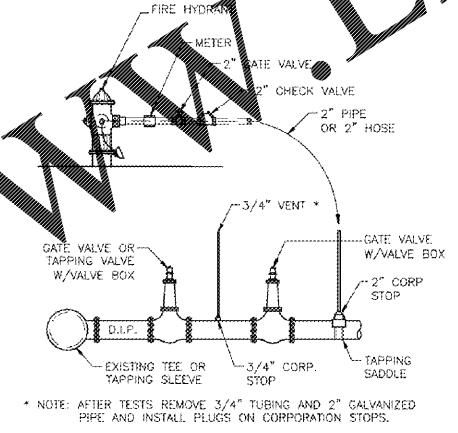
- UPON COMPLETION OF THE PIPE INSTALLATION FOR ANY SECTION, THE LINES SHALL BE SWABBED AND FLUSHED TO REMOVE DIRT AND ANY OTHER FOREIGN MATTER BY ACHIEVING A MINIMUM VELOCITY OF 2.5 FEET PER SECOND IN THE PIPE. TEMPORARY FITTINGS, PIPE, ETC. MAY BE NEEDED TO FACILITATE FLUSHING.
- INSTALL A 45° BEND AND ASSOCIATED PIPING AS SHOWN TO DIRECT THE FLUSHING WATER AWAY FROM THE IMMEDIATE WORK AREA AND EXERCISE DUE CARE SO AS TO ENSURE THAT THE WATER USED IN FLUSHING DOES NOT CAUSE A NUISANCE OR INFLECT PROPERTY DAMAGE.
- BENDS AND PIPING SHALL BE THE SAME SIZE AS THE LINE TO BE FLUSHED.
- PRIOR TO THE ACTUAL LINE FLUSHING OPERATION, THE CONTRACTOR SHALL PROPERLY NOTIFY THE CITY INSPECTOR OF SUCH INTENDED WATER USE.
- NO EXISTING VALVES SHALL BE TURNED ON OR OFF, EXCEPT BY AUTHORIZED CITY PERSONNEL.
- FLUSHING SHALL NOT BE ACCOMPLISHED WITHOUT THE ACTUAL PRESENCE OF THE CITY INSPECTOR.
- AFTER THE LINE UNDER CONSTRUCTION HAS BEEN SUCCESSFULLY FLUSHED THE CONTRACTOR SHALL REMOVE THE TEMPORARY PIPING ARRANGEMENT AND PROCEED WITH THE REMAINING CONSTRUCTION AS SPECIFIED.
- THERE MAY BE SPECIAL REQUIREMENTS FOR FLUSHING PIPE LARGER THAN 12" DIAMETER.

FLUSHING CONNECTION AND BLOW OFF DETAIL (303)



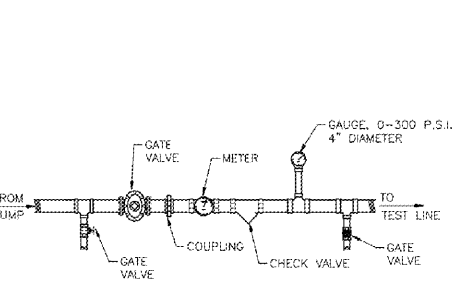
**TYPICAL BACTERIOLOGICAL SAMPLING POINT AT INTERMEDIATE POINTS (304)**

*NOTE:* AFTER TESTS REMOVE 3/4" TUBING AND INSTALL PLUG ON CORPORATION STOP.



**FILLING CONNECTION (305)**

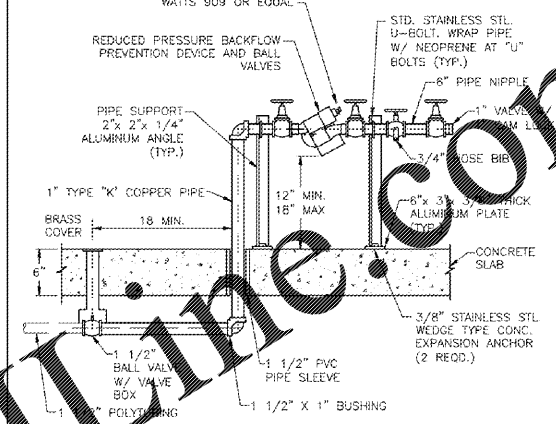
*NOTE:* AFTER TESTS REMOVE 3/4" TUBING AND 2" GALVANIZED PIPE AND INSTALL PLUGS ON CORPORATION STOPS.



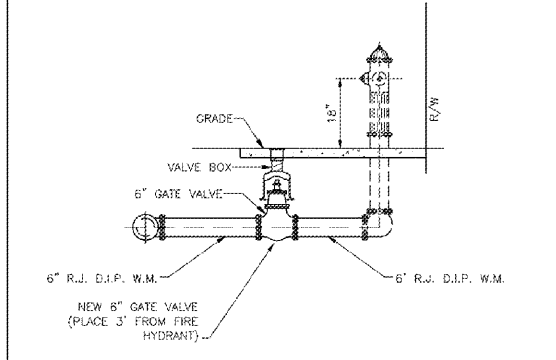
**PRESSURE TEST DETAIL (306)**

*NOTE:* PRESSURE TEST TO INCLUDE SERVICES TO ANGLE STOP.

PRESSURE TEST DETAIL (306)



**REDUCED PRESSURE BACKFLOW PREVENTER WITH HOSE CONNECTION FOR LIFT STATION (307)**



**RELOCATE OR CONNECT EXISTING FIRE HYDRANT (308)**

*NOTES:*

- RECONNECT EXISTING FIRE HYDRANT TO NEW WATER MAIN.
- KEEP VALVE AS CLOSE AS POSSIBLE TO THE HYDRANT.
- WHEN FIRE HYDRANT "TEE" IS ON P.V.C. PIPE RUN, CONSTRUCT 1 LENGTH OF D.I.P. (R.J.) PIPE ON EACH SIDE OF FIRE HYDRANT "TEE".

RELOCATE OR CONNECT EXISTING FIRE HYDRANT (308)

APPROVAL

SCALE: N.T.S.

DESIGNED BY: WNW2011

CHECKED BY: WNW2011

DATE: FEB. 2008

FIELD BOOK: 0000/00-0

FLA. P.E. NO. 0000

PETER PARTINGTON

**CITY OF FORT LAUDERDALE**

**PUBLIC WORKS DEPARTMENT**

**ENGINEERING DIVISION**

**FORT LAUDERDALE, FLORIDA**

REVISIONS

NO.	DATE	BY	CHKD	DESCRIPTION
1	1/08	BC	MS	ISSUE DETAILS AND SET

PROJECT #0000

Name of Job: \_\_\_\_\_

Description: \_\_\_\_\_

Street Address: \_\_\_\_\_

Water Details: \_\_\_\_\_

NO. OF SHEETS: 00

SHEET NO.: 0

CAD FILE NO. XXXXX-001-010WATR

FILE NO. 04-000-00

**ZAMORA & ASSOCIATES, INC.**

ENGINEERING LAND PLANNING

11410 N. KENDALL DRIVE SUITE 302

MIAMI, FLORIDA 33176 (305) 273-7801

PROJECT OWNER:

ESTEL PLAZA

2890 - 2894 W. BROWARD BLVD

FT. LAUDERDALE, FLORIDA 33312

ESTEL DEVELOPMENT LLC

763 NORTHEAST 193 TERRACE

MIAMI, FLORIDA 33179

REVISIONS

Date	Description

Gerardo Zamora

Digitally signed by Gerardo Zamora

Date: 2020.09.21 08:22:22 -0400

Professional Engineer Seal for Gerardo Zamora, P.E. No. 44207, State of Florida.

Gerardo Zamora, P.E. No. 44207, E.B. 0006791, State of Florida.

Scale: 1" = 20'

Designed By: \_\_\_\_\_

Drawn By: \_\_\_\_\_

Checked By: G.Z.

Date: 2/5/2020

Project No: 2020-17

SHEET No. C-11