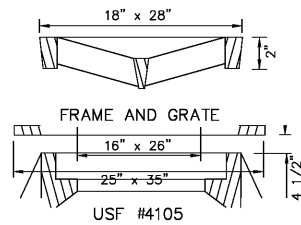
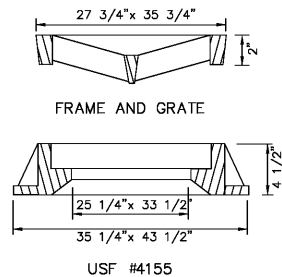


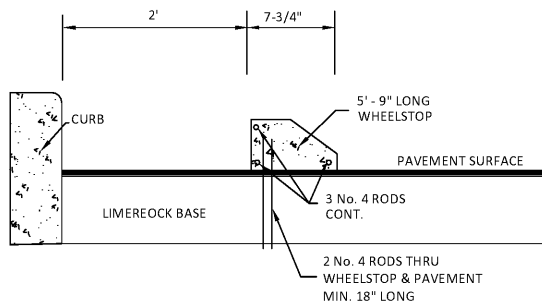
# PAVING & DRAINAGE DETAILS PLAN



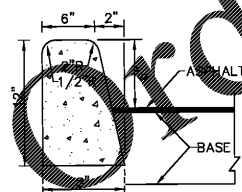
**USF #4105  
FRAME AND GRATE**  
TO BE INSTALLED ON 4 1/2" STRUCTURE



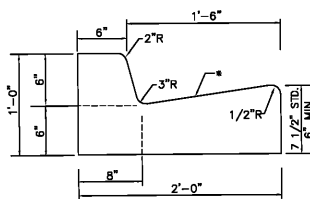
**USF #4155  
FRAME AND GRATE**  
TO BE INSTALLED ON 6" STRUCTURE



**WHEEL STOP DETAIL**

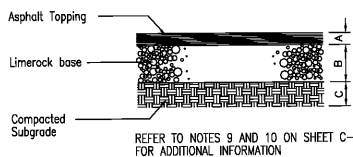


**1 CURB DETAIL**



NOTE: WHEN USED ON HIGH SIDE OF ROADWAYS, THE CROSS SLOPE OF THE GUTTER SHALL MATCH THE CROSS SLOPE OF THE ADJACENT PAVEMENT THE THICKNESS OF THE LIP SHALL BE 6", UNLESS OTHERWISE SHOWN ON PLANS

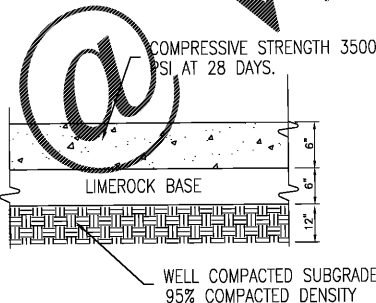
**TYPE F CURB**



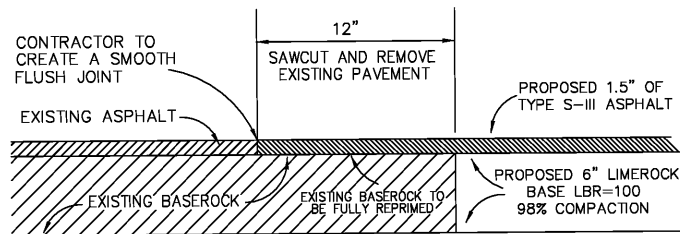
**DIMENSION & TYPE**

Concrete Section	A	B	C
STANDARD	1.5"	6"	12"

**ASPHALT PAVEMENT DETAIL**

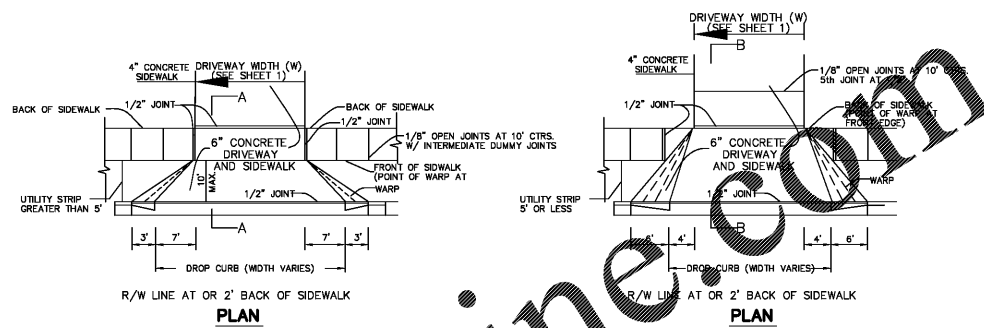


**CONCRETE PAVEMENT DETAIL**

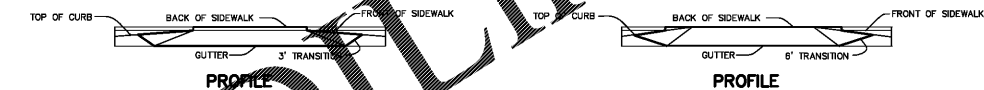


**DETAIL FOR MATCHING EXISTING PAVEMENT**

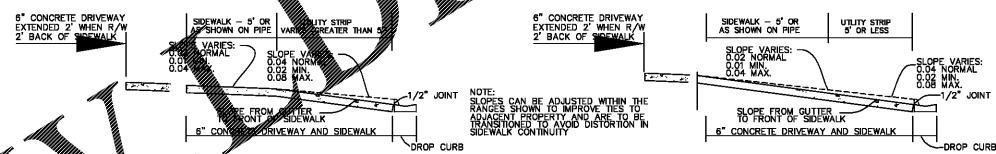
(BUTT JOINT)  
N.T.S.



**PLAN**



**PROFILE**

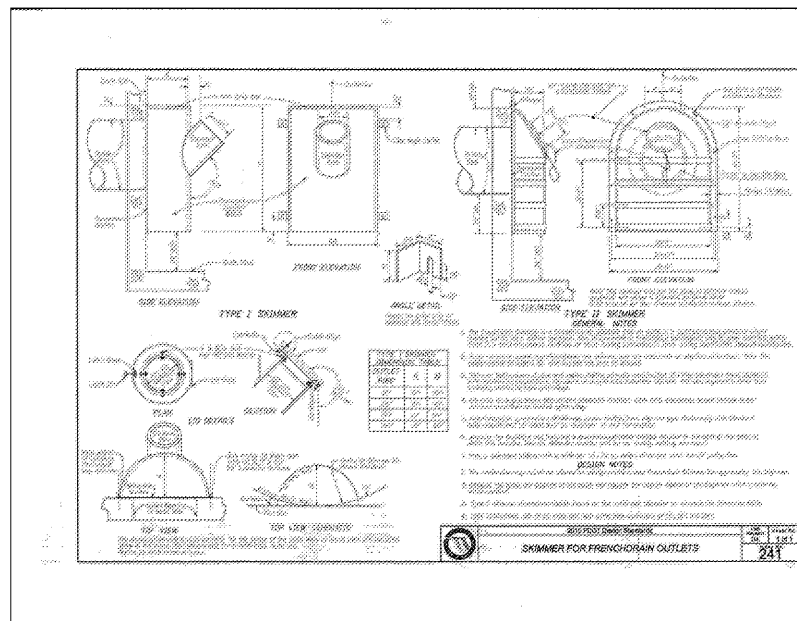


**SECTION A-A**

**SECTION B-B**

THIS IS A PORTION OF FDOT INDEX NO. 515.  
CONTRACTOR IS TO SEE ENTIRE DETAIL SHOWN  
ON FDOT DRIVEWAY PERMIT.

**FLARED TURNOUT - DRIVEWAY DETAIL**



**ISOMETRIC VIEW  
TYPE II BAFFLE DETAILS**

**ZAMORA & ASSOCIATES, INC.**  
ENGINEERING LAND PLANNING  
11410 N. KENDALL DRIVE SUITE 302  
MIAMI, FLORIDA 33176 (305) 273-7801

PROJECT: OWNER:

2890 - ESTEL PLAZA  
FT. LAUDERDALE, FLORIDA 33312  
ESTEL DEVELOPMENT LLC  
763 NORTHEAST 193 TERRACE  
MIAMI, FLORIDA 33179

Date	Description
5/28/20	DRG COMMENTS

SEALED  
GERARDO ZAMORA, P.E.  
LICENSED PROFESSIONAL ENGINEER  
No. 44207  
STATE OF FLORIDA  
Date: 2020.08.21  
08.31.07-0400

Gerardo Zamora  
Digitally signed by Gerardo Zamora  
Date: 2020.08.21 08.31.07-0400

THIS SHEET HAS BEEN DIGITALLY SIGNED & SEALED BY GERARDO ZAMORA, P.E. ON THE DATE ALIGNED TO THE SEAL.  
PRINTED COPIES OF THIS DOCUMENT ARE NOT CONSIDERED SIGNED & SEALED AND THE SIGNATURE MUST BE WORKED IN ANY ELECTRONIC COPIES.  
PRINTED COPIES SHALL HAVE AN ORIGINAL SIGNATURE AND DATE.

For the Firm By: GERARDO ZAMORA, P.E.  
FL. Reg. No. 44207  
Civil Engineer

Scale: 1" = 20'  
Designed By:  
Drawn By:  
Checked By: G.Z.  
Date: 2/6/2020  
Project No: 2020-17

SHEET No.

**C-6**