



STARBUCKS
2401 UTAH AVENUE SOUTH
SEATTLE, WASHINGTON 98134
(206) 318-1575

THESE DRAWINGS AND THE PROJECT MANUAL ARE CONFIDENTIAL AND SHALL REMAIN THE SOLE PROPERTY OF STARBUCKS CORPORATION, WHICH IS THE OWNER OF THE COPYRIGHT IN THIS WORK. THEY SHALL NOT BE REPRODUCED IN WHOLE OR IN PART, SHARED WITH THIRD PARTIES OR USED IN ANY MANNER ON OTHER PROJECTS OR EXTENSIONS TO THIS PROJECT WITHOUT THE PRIOR WRITTEN CONSENT OF STARBUCKS CORPORATION. THESE DRAWINGS AND SPECIFICATIONS ARE INTENDED TO EXPRESS DESIGN INTENT FOR A PROTOTYPICAL STARBUCKS STORE (WHICH IS SUBJECT TO CHANGE AT ANYTIME) AND DO NOT REFLECT ACTUAL SITE CONDITIONS. NEITHER PARTY SHALL HAVE ANY OBLIGATION OR LIABILITY TO THE OTHER (EXCEPT STATED ABOVE) UNTIL A WRITTEN AGREEMENT IS FULLY EXECUTED BY BOTH PARTIES.

STARBUCKS TEMPLATE VERSION: I2020-02-10

Design Forum Architects Inc.
2506 Byers Rd
Miamisburg, OH 45342
Tel: (614) 804-7700

Donald J. Rehrman
Architect in Charge
License: AR0017303

Design Forum Engineering
2506 Byers Rd
Miamisburg, OH 45342
Tel: (614) 804-7700

Timothy L. Raderberg, PE
Professional Engineer
License: 62078

PROJECT NAME:
HARDEN & POLK

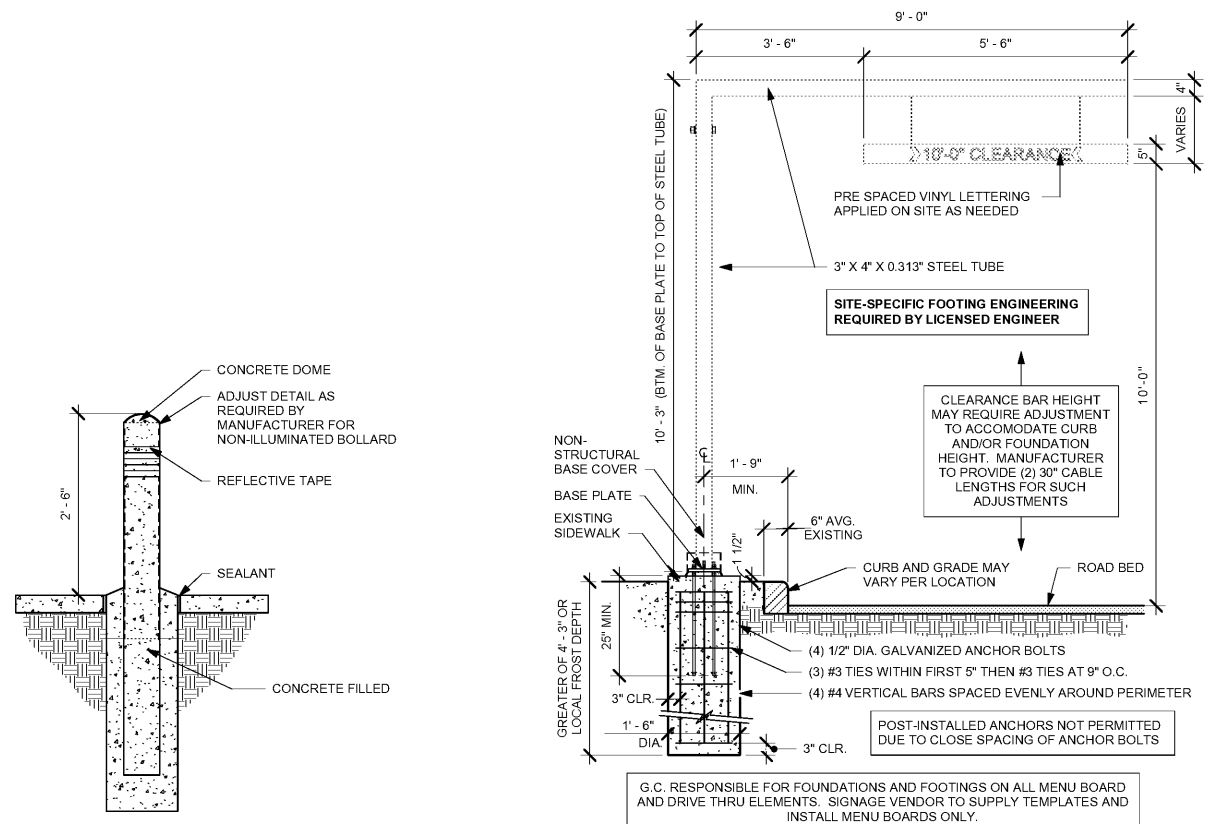
PROJECT ADDRESS:
1310 LAKESIDE VILLAGE CIR
LAKELAND, FL 33803

STORE #: 2965
PROJECT #: 21120-060
ISSUE DATE: 08/17/20
DESIGNER: RAI MONTERO
PRODUCTION DESIGNER: ANDY MCLLOUD
CHECKED BY: RAI MONTERO

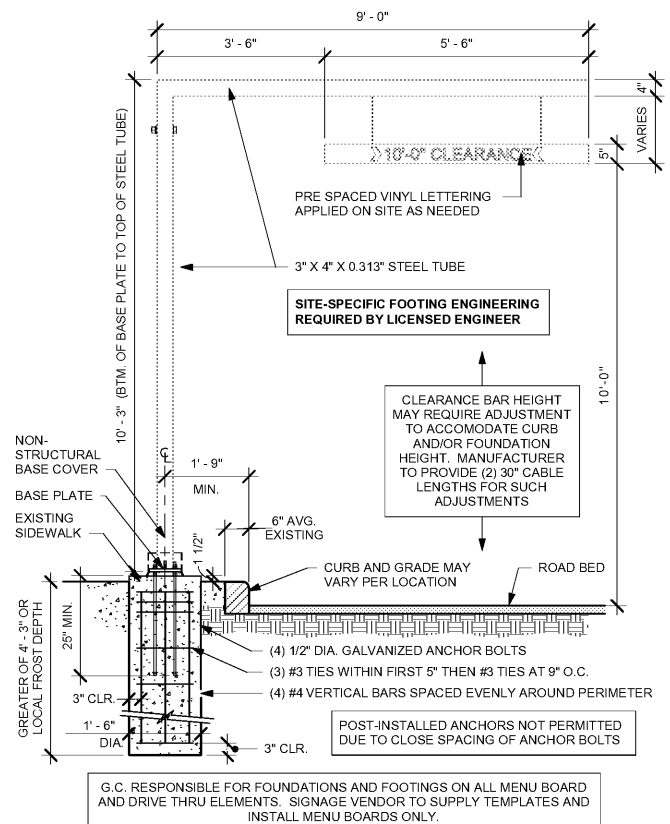
Revision Schedule			
Rev	Date	By	Description

SHEET TITLE:
ARCHITECTURAL SITE DETAILS
SCALE: AS SHOWN

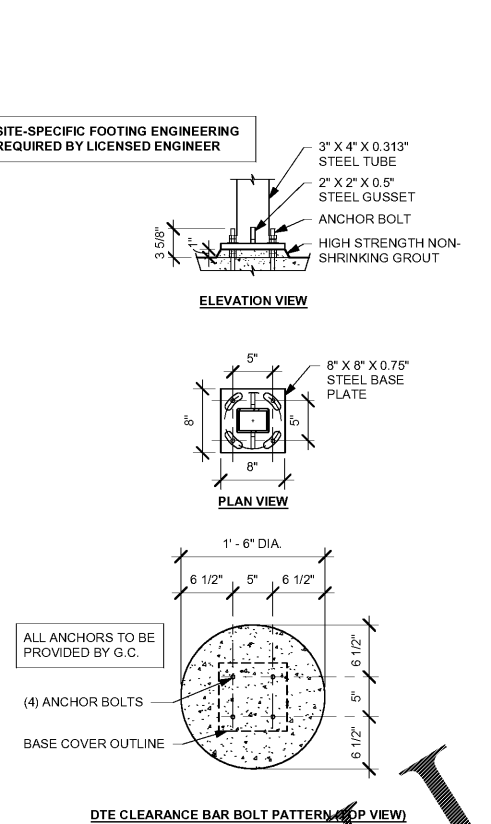
SHEET NUMBER:
APX-104



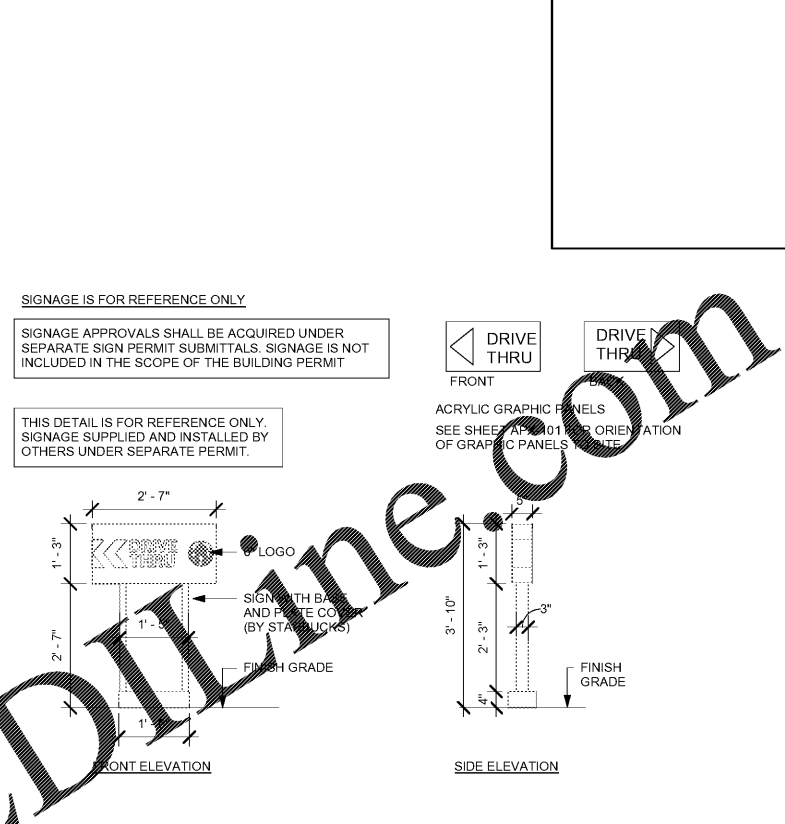
1 NON-ILLUMINATED CIRCULAR BOLLARD (EXIST.)
Scale: 3/4" = 1'-0"



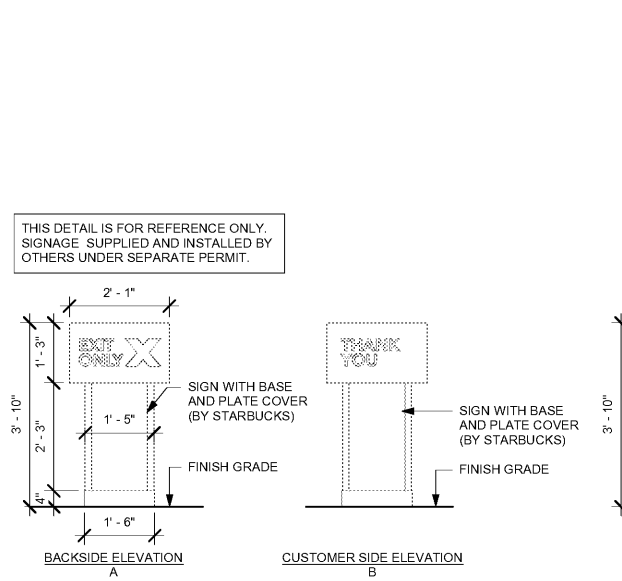
2 CLEARANCE BAR
Scale: 1/2" = 1'-0"



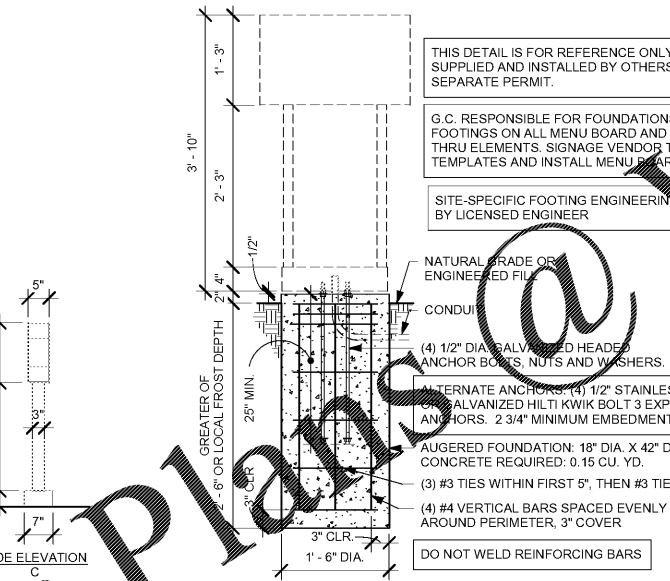
3 CLEARANCE BAR FOOTING (EXIST.)
Scale: 1" = 1'-0"



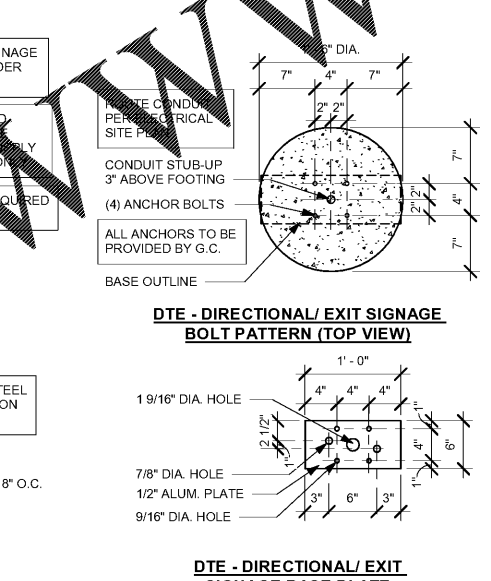
4 ILLUMINATED DIRECTIONAL SIGN - DRIVE-THRU - ELEVATIONS
Scale: 1/2" = 1'-0"



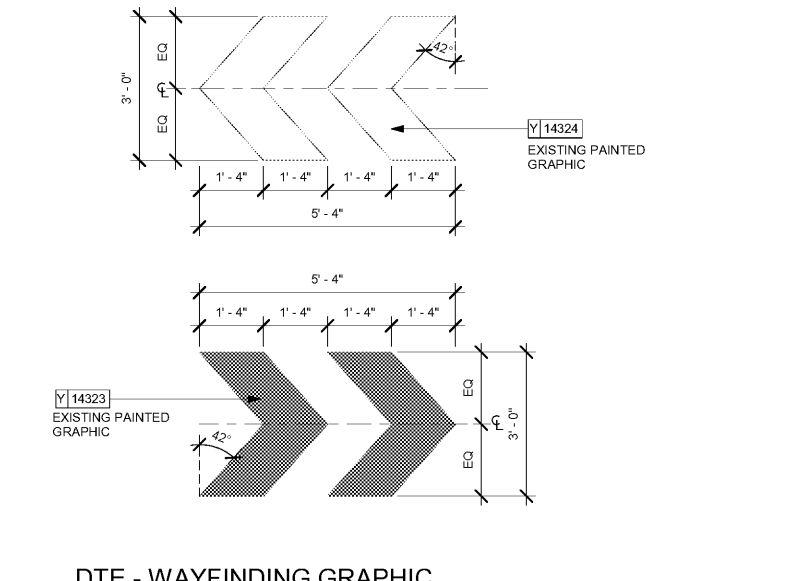
5 ILLUMINATED SIGN - DRIVE-THRU EXIT ONLY - ELEVATIONS
Scale: 1/2" = 1'-0"



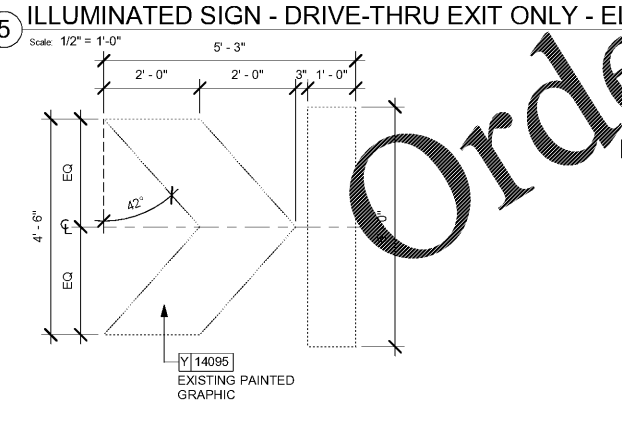
6 DIRECTIONAL SIGN FOOTING (EXIST.)
Scale: 3/4" = 1'-0"



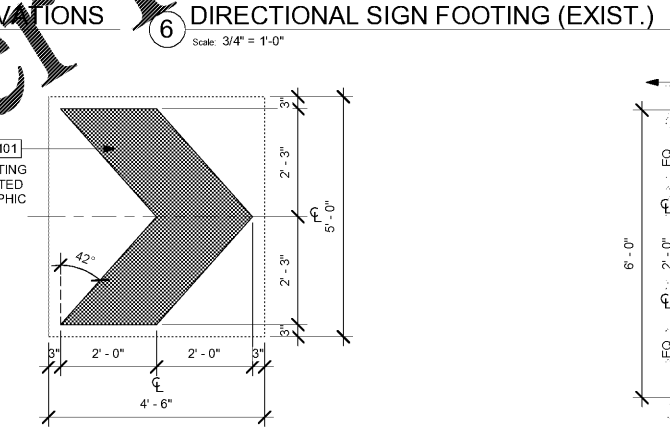
7 DTE - DIRECTIONAL/EXIT SIGNAGE BASE PLATE
Scale: 1/2" = 1'-0"



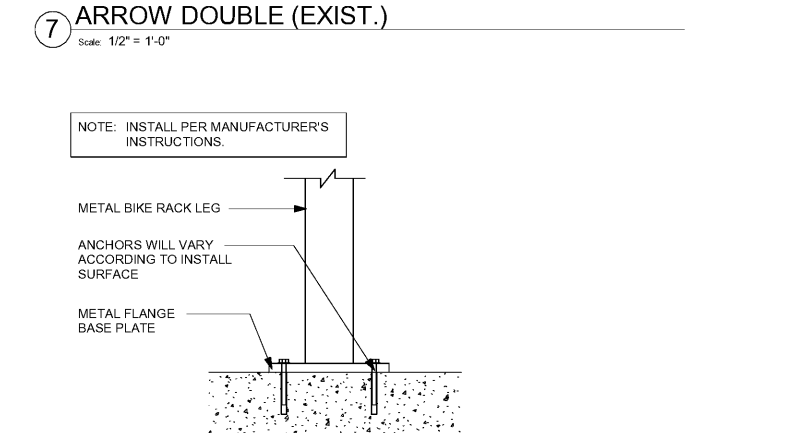
8 DTE - WAYFINDING GRAPHIC - EXIT ARROW (EXIST.)
Scale: 1/2" = 1'-0"



9 DTE - WAYFINDING GRAPHIC - ENTRY ARROW (EXIST.)
Scale: 1/2" = 1'-0"



10 ENLARGED BIKE RACK PLAN
Scale: 1/2" = 1'-0"



11 BIKE RACK INSTALLATION (EXIST.)
Scale: 3" = 1'-0"

C:\Users\julia.gray\Documents\21120-060_2965_Harden & Polk_julia.gray.rvt 8/13/2020 4:16:43 PM

Order Plans @ WWW.LDLINE.COM