



STARBUCKS®
2401 UTAH AVENUE SOUTH
SEATTLE, WASHINGTON 98134
(206) 318-1575

THESE DRAWINGS AND THE PROJECT MANUAL ARE CONFIDENTIAL AND SHALL REMAIN THE SOLE PROPERTY OF STARBUCKS CORPORATION, WHICH IS THE OWNER OF THE COPYRIGHT IN THIS WORK. THEY SHALL NOT BE REPRODUCED, IN WHOLE OR IN PART, SHARED WITH THIRD PARTIES OR USED IN ANY MANNER ON OTHER PROJECTS OR EXTENSIONS TO THIS PROJECT WITHOUT THE PRIOR WRITTEN CONSENT OF STARBUCKS CORPORATION. THESE DRAWINGS AND SPECIFICATIONS ARE INTENDED TO EXPRESS DESIGN INTENT FOR A PROTOTYPICAL STARBUCKS STORE, WHICH IS SUBJECT TO CHANGE AT ANYTIME AND DO NOT REFLECT ACTUAL SITE CONDITIONS. NEITHER PARTY SHALL HAVE ANY OBLIGATION OR LIABILITY TO THE OTHER EXCEPT AS STATED ABOVE UNTIL A WRITTEN AGREEMENT IS FULLY EXECUTED BY BOTH PARTIES.

STARBUCKS TEMPLATE VERSION: I2020-02-10

Design Forum Architects Inc.
2506 Byers Rd
Miamisburg, OH 45342
Tel: (844) 804-7700
Donald J. Rehrman
Architect in Charge
License: AR0017303

Design Forum Engineering
2506 Byers Rd
Miamisburg, OH 45342
Tel: (844) 804-7700
Timothy L. Raderding, PE
Professional Engineer
License: 62078

PROJECT NAME:
HARDEN & POLK

PROJECT ADDRESS:
1310 LAKESIDE VILLAGE CIR
LAKELAND, FL 33803

STORE #: 2965
PROJECT #: 21120-060
ISSUE DATE: 08/17/20
DESIGNER: RAI MONTERO
PRODUCTION DESIGNER: ANDY M'CLOUD
CHECKED BY: RAI MONTERO

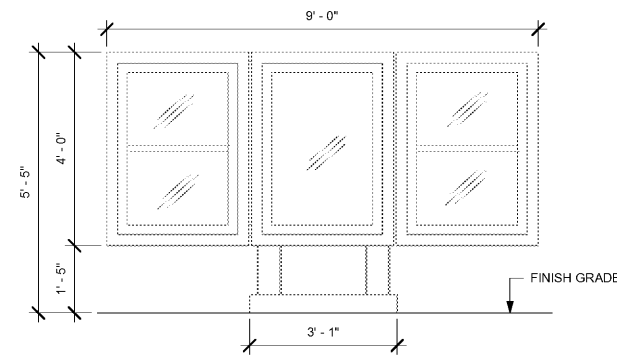
Revision Schedule			
Rev	Date	By	Description

SHEET TITLE:
DRIVE THRU DETAILS

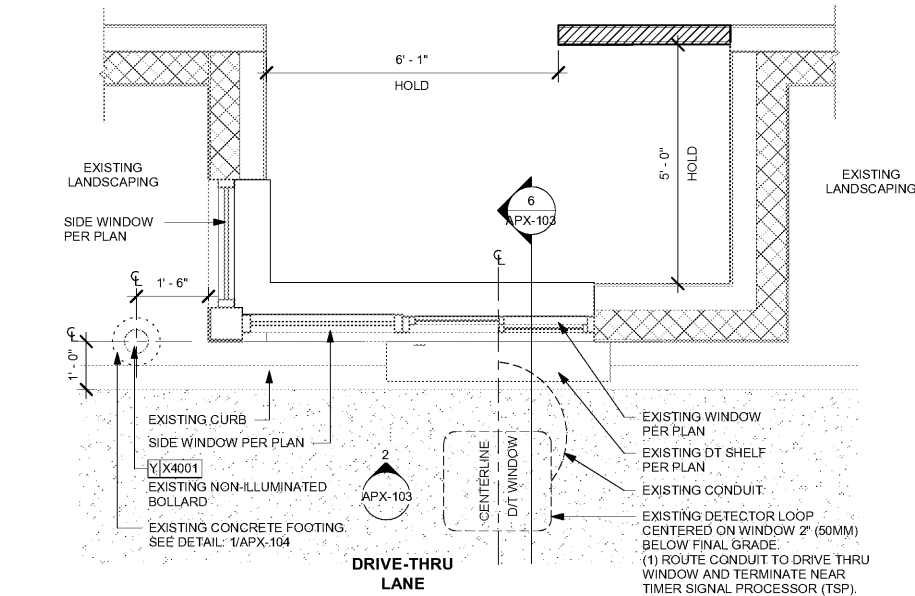
SCALE: AS SHOWN

SHEET NUMBER:
APX-103

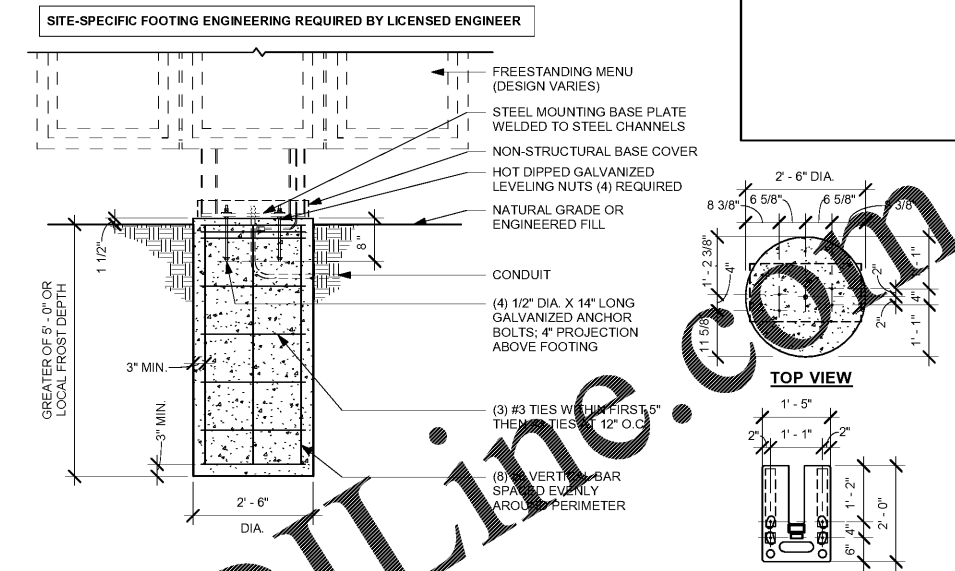
THIS DETAIL IS FOR REFERENCE ONLY. SIGNAGE SUPPLIED AND INSTALLED BY OTHERS UNDER SEPARATE PERMIT.



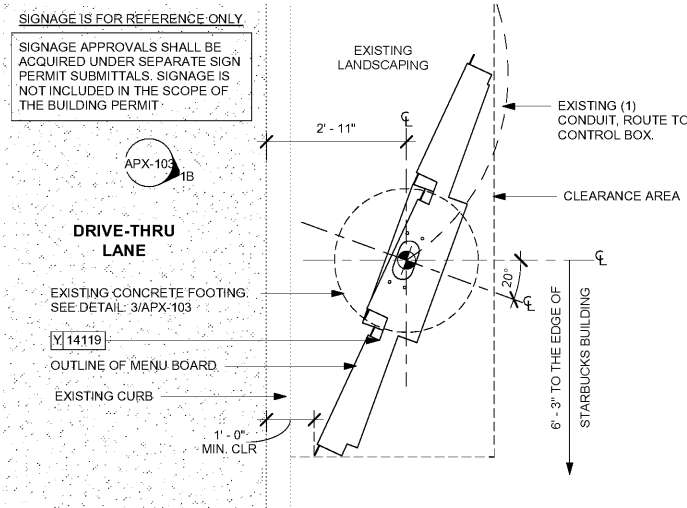
1B 5-PANEL MENU BOARD - ELEVATION
Scale: 1/2" = 1'-0"



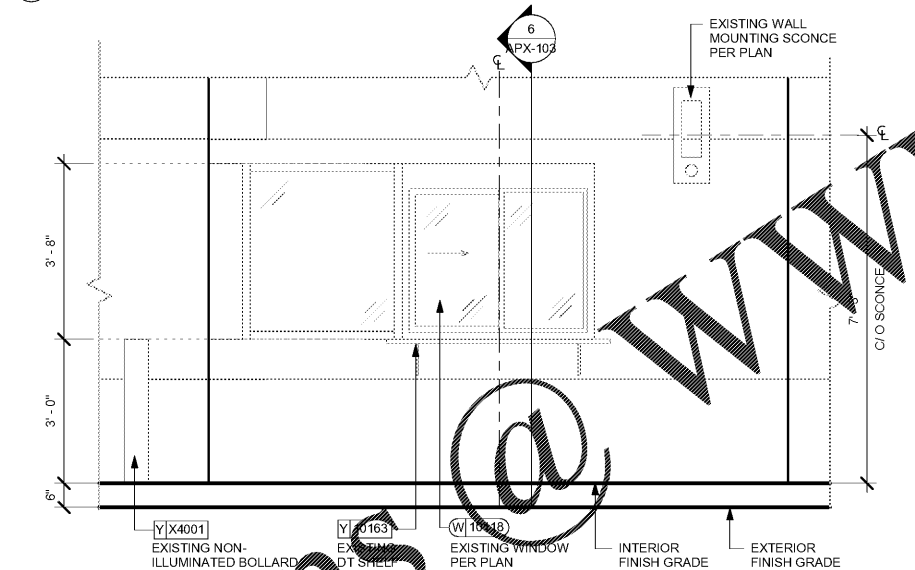
2B ENLARGED DRIVE-THRU BUMP-OUT PLAN
Scale: 1/2" = 1'-0"



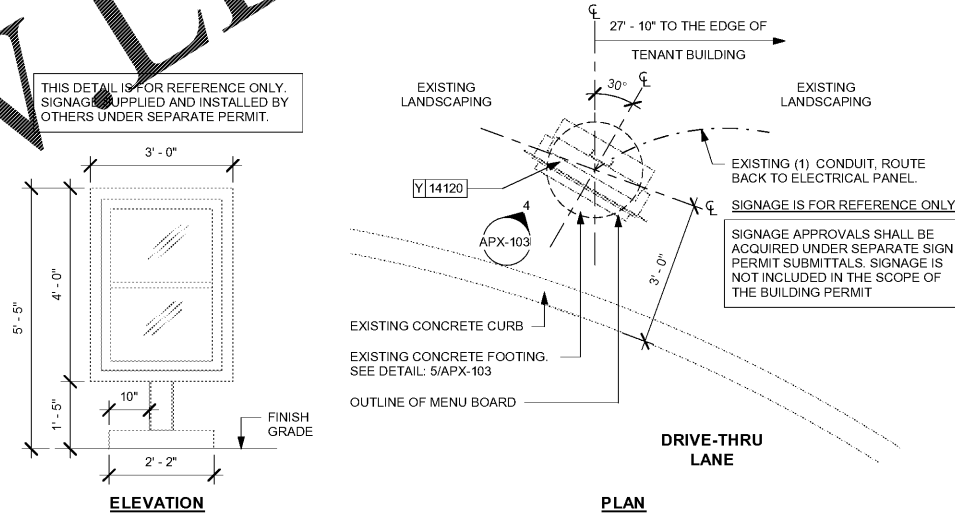
3 MENU BOARD FOOTING
Scale: 1/2" = 1'-0"



1 5-PANEL MENU BOARD - PLAN
Scale: 1/2" = 1'-0"



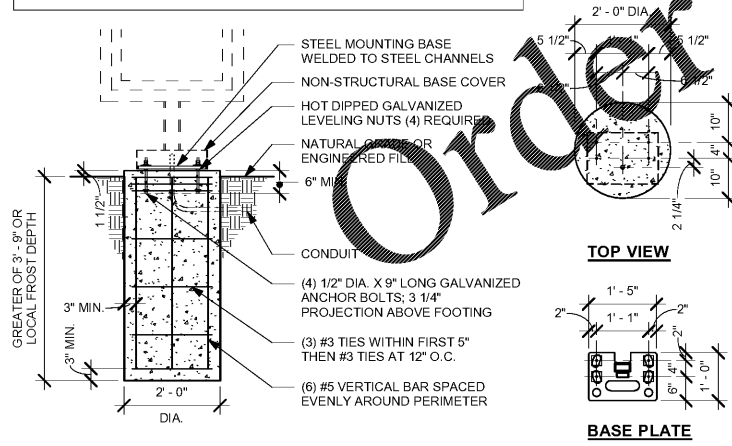
2 ENLARGED DRIVE-THRU BUMP-OUT ELEVATION
Scale: 1/2" = 1'-0"



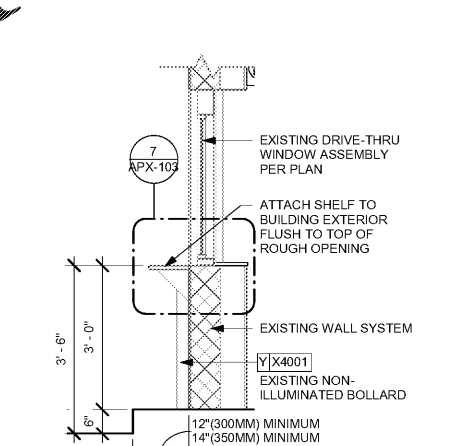
4 DTE - PRE-MENU BOARD FREESTANDING
Scale: 1/2" = 1'-0"

SITE-SPECIFIC FOOTING ENGINEERING REQUIRED BY LICENSED ENGINEER

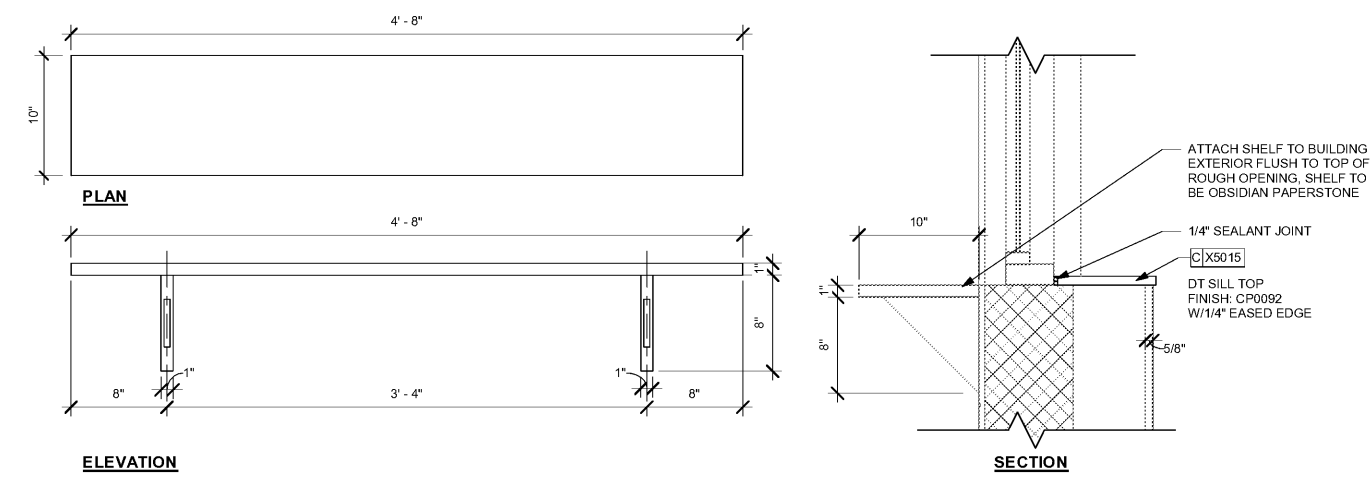
G.C. RESPONSIBLE FOR FOUNDATIONS AND FOOTINGS ON ALL MENU BOARD AND DRIVE THRU ELEMENTS. SIGNAGE VENDOR TO SUPPLY TEMPLATES AND INSTALL MENU BOARDS ONLY.



5 PRE-MENU BOARD FOOTING
Scale: 1/2" = 1'-0"



6 DRIVE-THRU WINDOW SECTION
Scale: 1/2" = 1'-0"



7 DRIVE-THRU SHELF DETAILS
Scale: 1 1/2" = 1'-0"