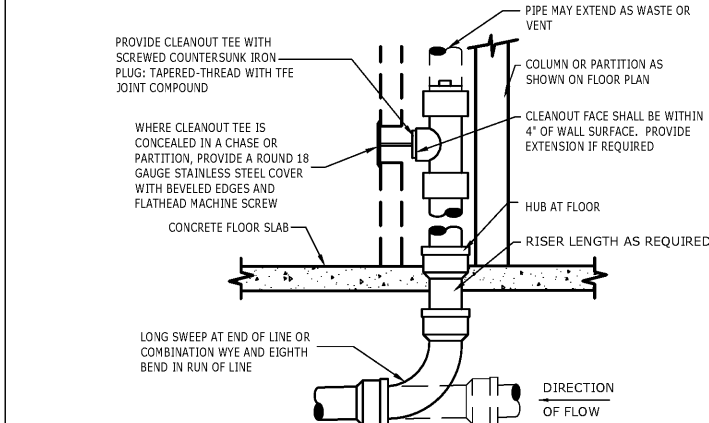


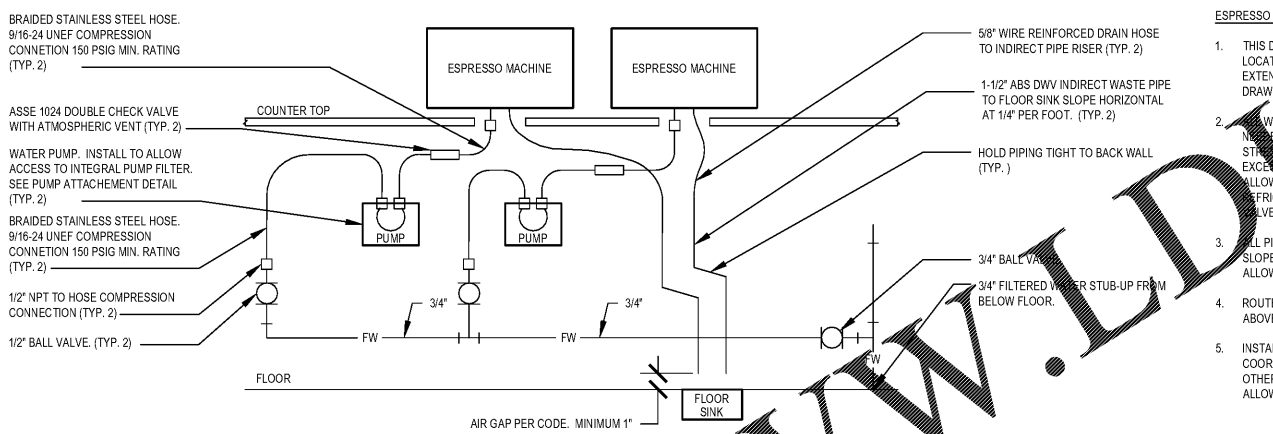
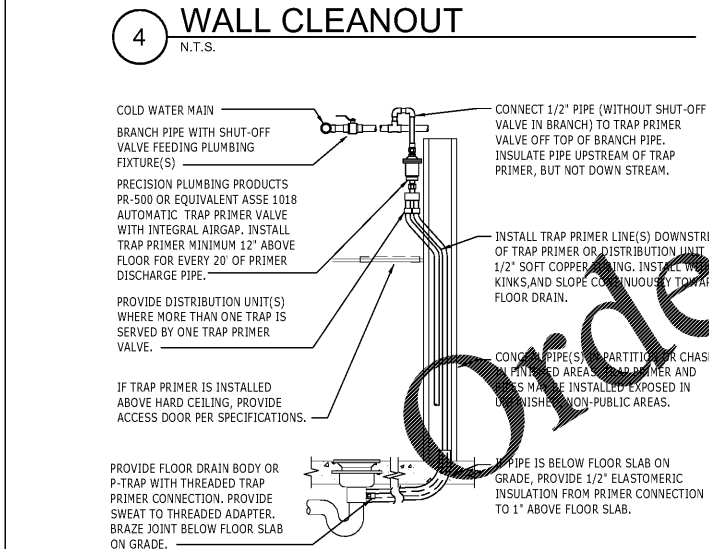
HOT WATER HEATER NOTES:

- MIXING VALVE SHALL BE EQUAL TO LEONARD MODEL 370-LF.
- RECIRCULATION PUMP: BELL & GOSSETT #BNF-9U WET ROTOR TYPE IN-LINE PUMP WITH 2800 RPM MOTOR, LEAD FREE BRONZE BODY WITH UNION CONNECTIONS, CAPACITY OF 2 GPM AT 7 FEET OF HEAD. PROVIDE WITH HONEYWELL #L6006C SURFACE MOUNTED AQUASTAT WITH SINGLE POLE DOUBLE THROW SWITCH FOR CIRCULATOR CONTROL AND ADJUSTABLE DIFFERENTIAL SET FOR 10°F. SET AQUASTAT TO SHUT "OFF" RECIRCULATION PUMP AT WATER HEATER SET POINT AND "ON" AT 10°F BELOW SET POINT. ELECTRICAL REQUIREMENTS: 120 VOLT, 0.4 FULL LOAD AMPS.
- TIME SWITCH: INTERMATIC #ET1705CSPST, 7 DAY, ONE CIRCUIT, SINGLE POLE SINGLE THROW, ELECTRONIC TIME SWITCH OR EQUAL BY TORK. TIME SWITCH SHALL BE MOTOR RATED (1 HP @ 120 VOLT, SINGLE PHASE), MINIMUM OF 20 SET POINTS (14 ON/OFF CYCLES) AND BATTERY BACK-UP. COORDINATE WITH GC FOR INSTALLATION AND INTERLOCK OF TIME SWITCH IN SERIES WITH THE AQUASTAT AND RECIRCULATION PUMP.

1 ELECTRIC WATER HEATER
N.T.S.



2 FLOOR CLEANOUT
N.T.S.

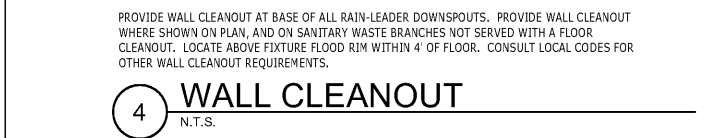


3 FLOOR SINK DETAIL
N.T.S.

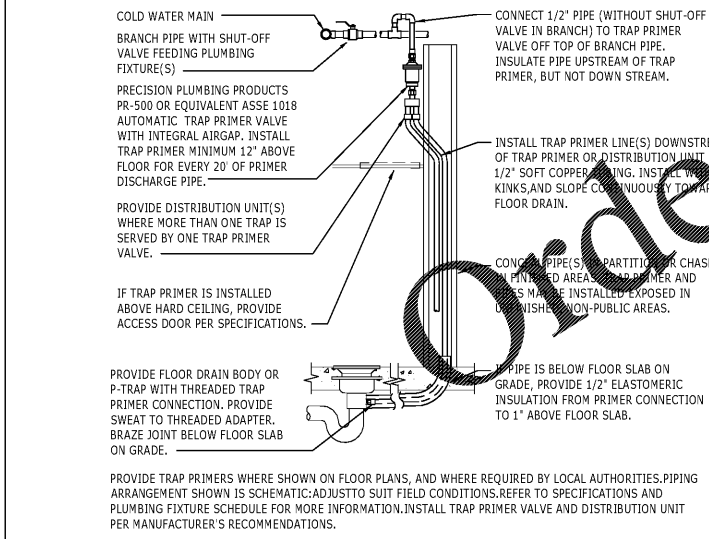
ESPRESSO MACHINE DETAIL NOTES:

- THIS DETAIL IS SCHEMATIC ONLY. FOR LOCATION OF THE COMPONENTS SHOWN, EXTENT OF THE WORK REQUIRED, SEE THE DRAWING.
- WATER HOSE SHALL BE THE MINIMUM LENGTH NEEDED AND SUPPORTED AS REQUIRED TO AVOID STRESSING CONNECTIONS AND COLLAPING EXCESSIVE HOSE. ALWAYS AVOID KINKING AND ALLOW SPACE FOR LOWER COUNTER REFRIGERATOR AND ACCESS TO EQUIPMENT AND VALVES.
- ALL PIPING SHALL BE HELD TIGHT TO WALLS SLOPED WHERE REQUIRED AND ROUTED TO ALLOW ACCESS TO EQUIPMENT AND VALVES.
- ROUTE HORIZONTAL PIPING A MINIMUM OF 6\"/>

5 ESPRESSO MACHINE GENERAL PIPING CONNECTION SCHEMATIC
N.T.S.



4 WALL CLEANOUT
N.T.S.

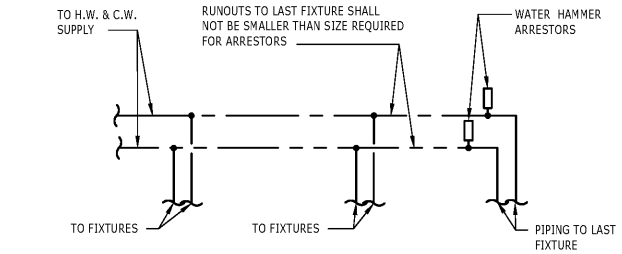


6 TRAP PRIMER DETAIL
N.T.S.

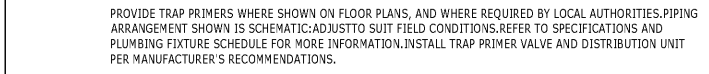
WATER HAMMER ARRESTOR SIZING CHART

FIXTURE UNIT RATING	PIPE SIZE	CONNECTION TO SUPPLY LINE
1-11	A	3/4"
12-32	B	1"
33-60	C	1"
61-113	D	1 1/4"
114-154	E	1 1/2"
155-330	F	2"

REFERENCE PD1-WH-201.



7 WATER HAMMER ARRESTOR
N.T.S.



NOTES:

- ALL COMPONENTS DRAWN IN BOLD ARE GC RESPONSIBILITY. GC TO COORDINATE INSTALLATION OF ALL OTHER COMPONENTS SHOWN WITH FILTER VENDOR.
- ALL PIPING SHALL BE COPPER EXCEPT PEX TYPE PIPING IS ACCEPTABLE BETWEEN FILTER SYSTEM COMPONENTS WHERE ALLOWED BY CODE.
- COORDINATE WITH ELECTRICAL CONTRACTOR FOR RECEPTACLES.
- PROVIDE WATER SOFTENER INDIRECT DRAIN TO SINK, INSTALLED PER CODE. (CONFIRM REQUIREMENTS WITH SOFTENER EQUIPMENT CUTSHEETS IN ITEM SPECIFICATIONS).
- PROVIDE RO INDIRECT DRAIN TO SINK, INSTALLED PER CODE. (CONFIRM REQUIREMENTS WITH RO EQUIPMENT CUTSHEET IN ITEM SPECIFICATIONS).
- COMPONENTS ARE TO BE POSITIONED TO MAXIMIZE ACCESS FOR REGULAR SERVICING. PRE-FILTER, BYPASS VALVES, AND SOFTENER TANKS MUST BE INSTALLED 72" (1828MM) AFF OR LOWER.

8 TYPE 3 WATER TREATMENT SYSTEM
N.T.S.



STARBUCKS
2401 UTAH AVENUE SOUTH
SEATTLE, WASHINGTON 98134
(206) 318-1575

THESE DRAWINGS AND THE PROJECT MANUAL ARE CONFIDENTIAL AND SHALL REMAIN THE SOLE PROPERTY OF STARBUCKS CORPORATION, WHICH IS THE OWNER OF THE COPYRIGHT IN THIS WORK. THEY SHALL NOT BE REPRODUCED (IN WHOLE OR IN PART), SHARED WITH THIRD PARTIES OR USED IN ANY MANNER ON OTHER PROJECTS OR EXTENSIONS TO THIS PROJECT WITHOUT THE PRIOR WRITTEN CONSENT OF STARBUCKS CORPORATION. THESE DRAWINGS AND SPECIFICATIONS ARE INTENDED TO EXPRESS DESIGN INTENT FOR A PROTOTYPICAL STARBUCKS STORE (WHICH IS SUBJECT TO CHANGE AT ANYTIME) AND DO NOT REFLECT ACTUAL SITE CONDITIONS. NEITHER PARTY SHALL HAVE ANY OBLIGATION NOR LIABILITY TO THE OTHER (EXCEPT STATED ABOVE) UNTIL A WRITTEN AGREEMENT IS FULLY EXECUTED BY BOTH PARTIES.

STARBUCKS TEMPLATE VERSION | 2019.01.11

Design Forum Architects Inc.
2555 Byrns Rd
Miamisburg, OH 45342
Tel: (614) 804-7700
Donald J. Rehm
Architect In Charge
License: AR0017303

Design Forum Engineering
2555 Byrns Rd
Miamisburg, OH 45342
Tel: (614) 804-7700
Timothy L. Harsending, PE
Professional Engineer
License: 62078

FOR CONSTRUCTION

PROJECT NAME:
HARDEN & POLK

PROJECT ADDRESS:
**1310 LAKESIDE VILLAGE CIR
LAKELAND, FL 33803**

STORE #: 2965
PROJECT #: 21120-060
ISSUE DATE: 08/10/2020
DESIGNER: RAI MONTERO
PRODUCTION DESIGNER: PAUL HARLOR
CHECKED BY: RAI MONTERO

Revision Schedule

Rev	Date	Description

SHEET TITLE:
PLUMBING DETAILS

SCALE: AS SHOWN

SHEET NUMBER:
P-501