



© 2019 STARBUCKS COFFEE COMPANY

**STARBUCKS®**  
2401 UTAH AVENUE SOUTH  
SEATTLE, WASHINGTON 98134  
(206) 318-1575

THESE DRAWINGS AND THE PROJECT MANUAL ARE CONFIDENTIAL AND SHALL REMAIN THE SOLE PROPERTY OF STARBUCKS CORPORATION, WHICH IS THE OWNER OF THE COPYRIGHT IN THIS WORK. THEY SHALL NOT BE REPRODUCED, IN WHOLE OR IN PART, SHARED WITH THIRD PARTIES OR USED IN ANY MANNER ON OTHER PROJECTS OR EXTENSIONS TO THIS PROJECT WITHOUT THE PRIOR WRITTEN CONSENT OF STARBUCKS CORPORATION. THESE DRAWINGS AND SPECIFICATIONS ARE INTENDED TO EXPRESS DESIGN INTENT FOR A PROTOTYPICAL STARBUCKS STORE (WHICH IS SUBJECT TO CHANGE AT ANYTIME) AND DO NOT REFLECT ACTUAL SITE CONDITIONS. NEITHER PARTY SHALL HAVE ANY OBLIGATION OR LIABILITY TO THE OTHER EXCEPT AS STATED ABOVE UNTIL A WRITTEN AGREEMENT IS FULLY EXECUTED BY BOTH PARTIES.

STARBUCKS TEMPLATE VERSION: I2020-02-10

**Design Forum Architects Inc.**  
2506 Byers Rd  
Miamisburg, OH 45342  
Tel: (844) 804-7700  
Donald J. Rehrman  
Architect In Charge  
License: AR0017303

**Design Forum Engineering**  
2506 Byers Rd  
Miamisburg, OH 45342  
Tel: (844) 804-7700  
Timothy L. Raderding, PE  
Professional Engineer  
License: 62078

PROJECT NAME:  
**HARDEN & POLK**

PROJECT ADDRESS:  
1310 LAKESIDE VILLAGE CIR  
LAKELAND, FL 33803

STORE #: 2965  
PROJECT #: 21120-060  
ISSUE DATE: 08/17/20  
DESIGNER: RAI MONTERO  
PRODUCTION DESIGNER: ANDY MCLOUD  
CHECKED BY: RAI MONTERO

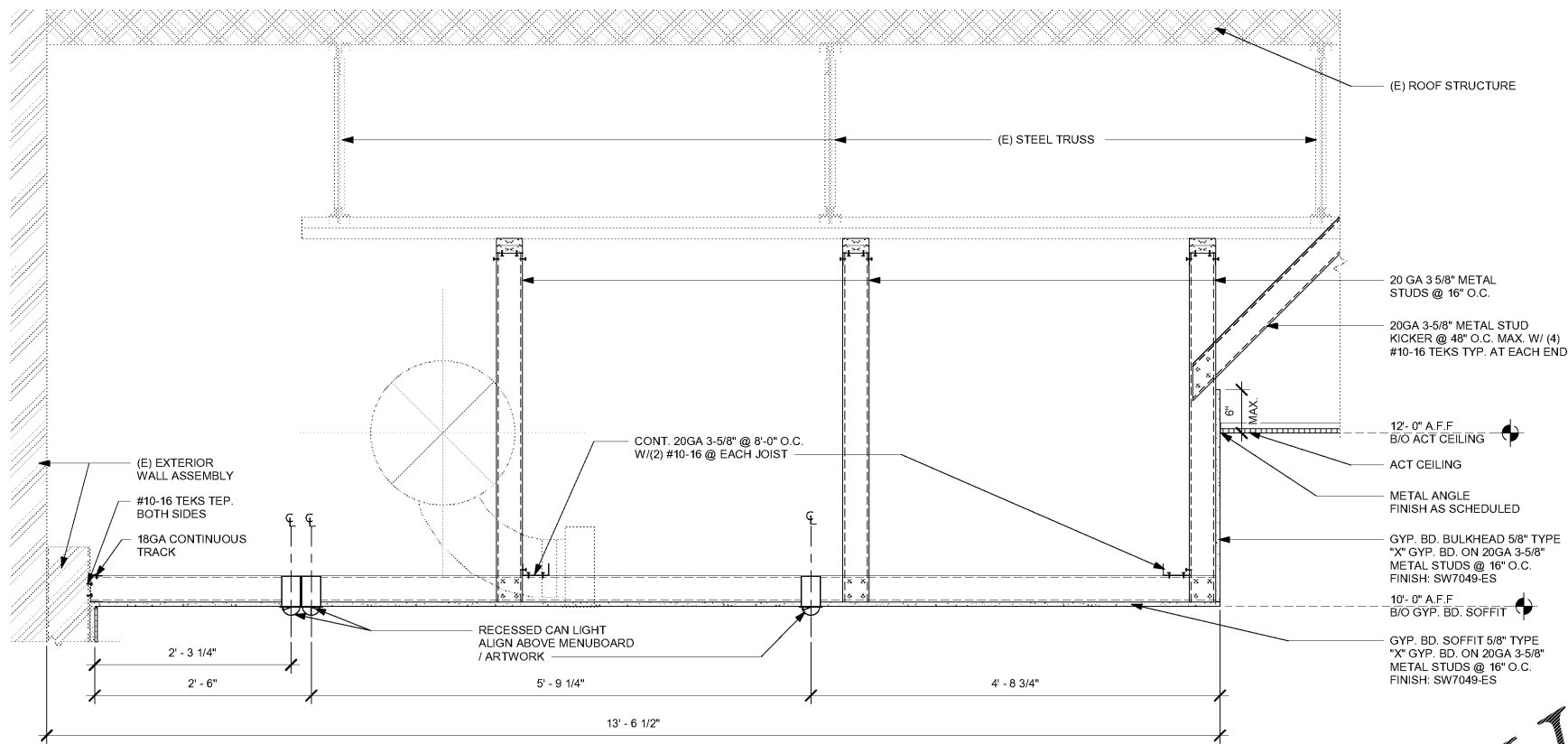
Revision Schedule			
Rev	Date	By	Description

SHEET TITLE:  
**BUILDING DETAILS**

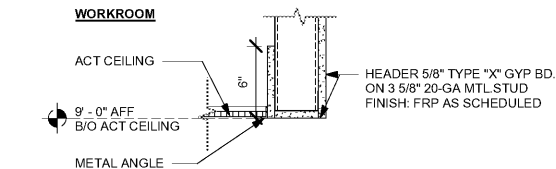
SCALE: AS SHOWN

SHEET NUMBER:

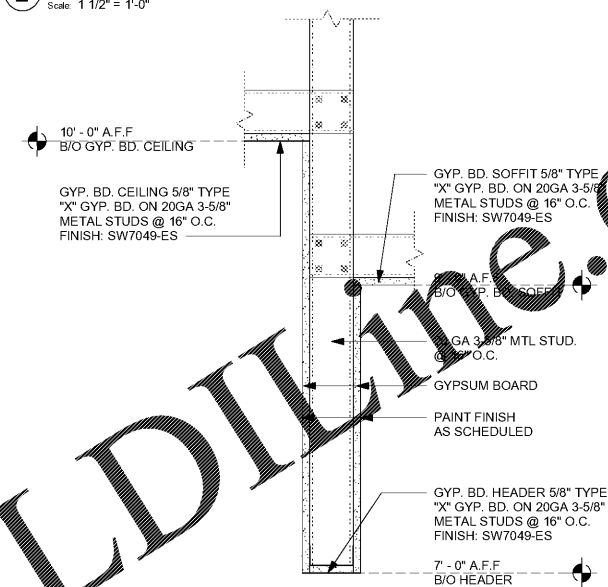
A-502



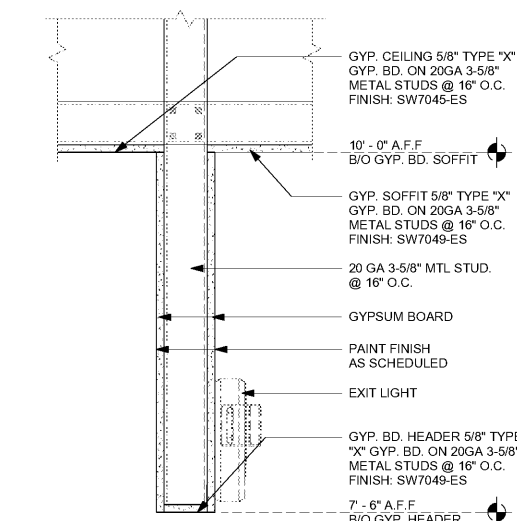
1 SOFFIT CONSTRUCTION  
Scale: 1" = 1'-0"



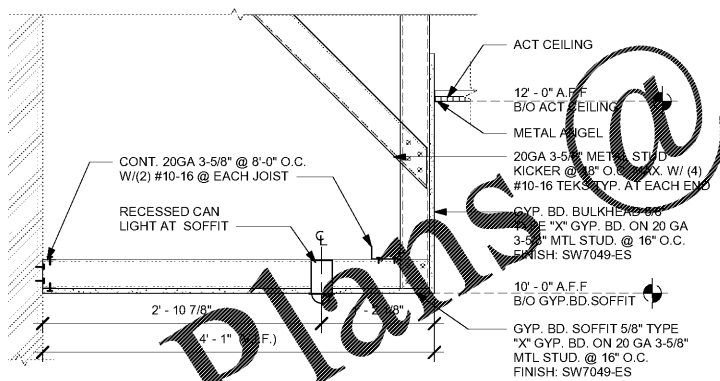
2 HEADER AT WATER FILTRATION  
Scale: 1 1/2" = 1'-0"



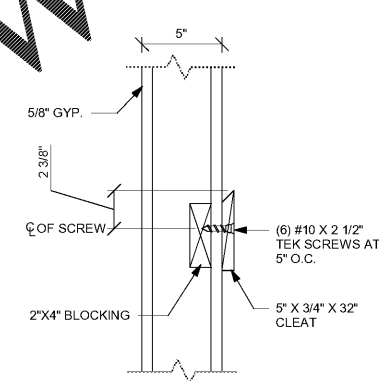
3 HEADER AT DT  
Scale: 1 1/2" = 1'-0"



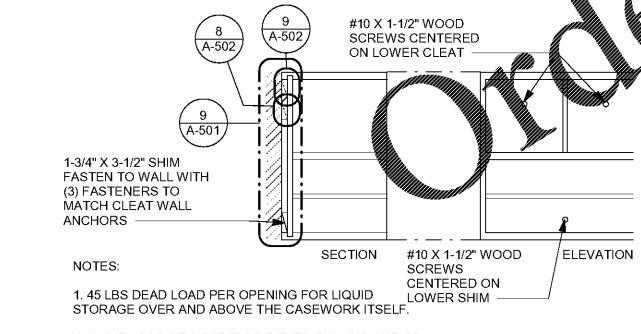
4 HEADER AT RESTROOM VESTIBULE  
Scale: 1 1/2" = 1'-0"



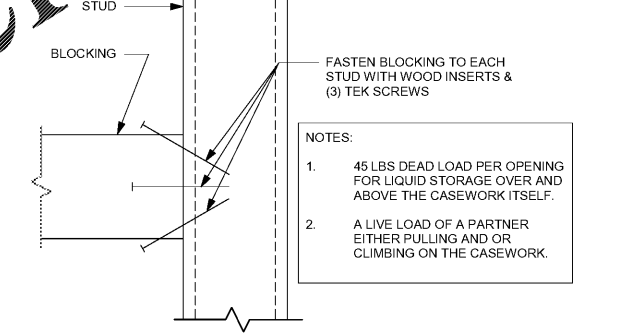
5 SOFFIT AT CAFE  
Scale: 1" = 1'-0"



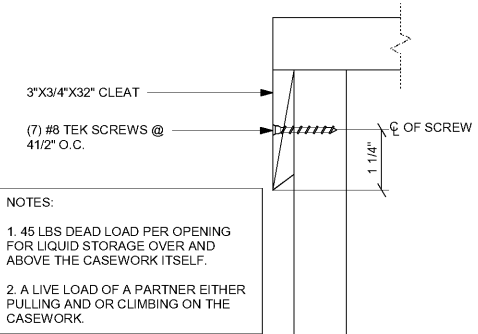
6 CLEAT TO WOOD BLOCKING  
Scale: 1/2" = 1'-0"



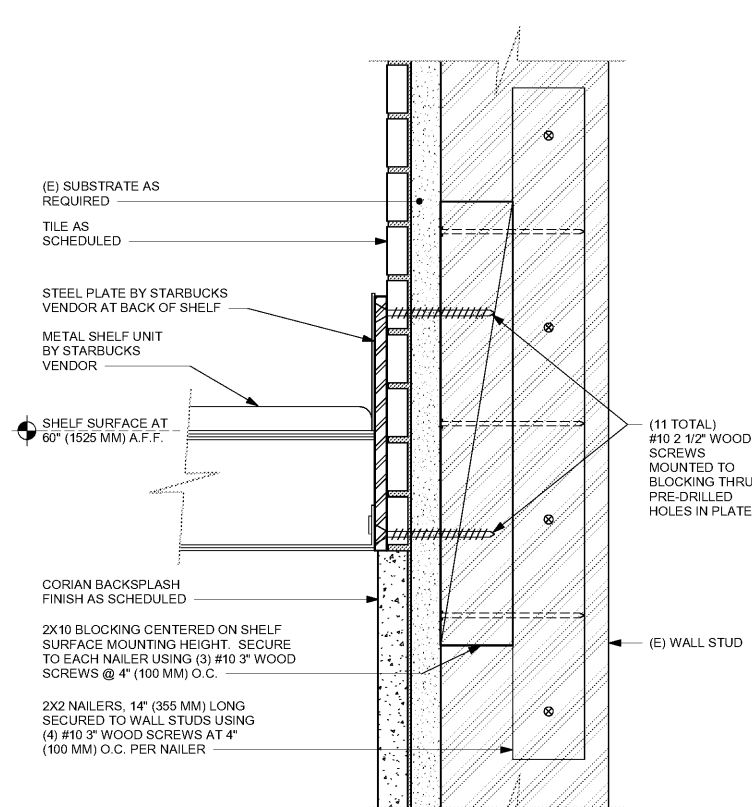
7 BLOCKING AT CASEWORK  
Scale: 1/2" = 1'-0"



8 BLOCKING TO METAL STUD  
Scale: 1/2" = 1'-0"



9 CLEAT TO FRAME  
Scale: 1/2" = 1'-0"



10 METAL TEA SHELF (E) WALL ATTACHMENT  
Scale: 6" = 1'-0"

C:\Users\julia.gray\Documents\21120-060-2965\_Harden & Polk\_julia.gray.rvt  
8/13/2020 4:15:09 PM