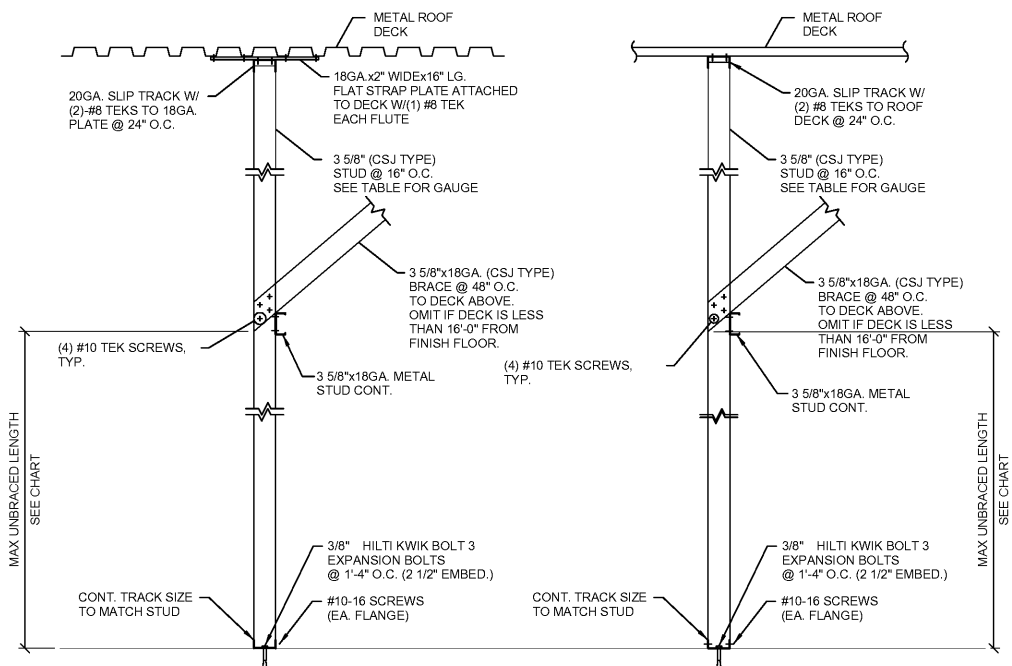
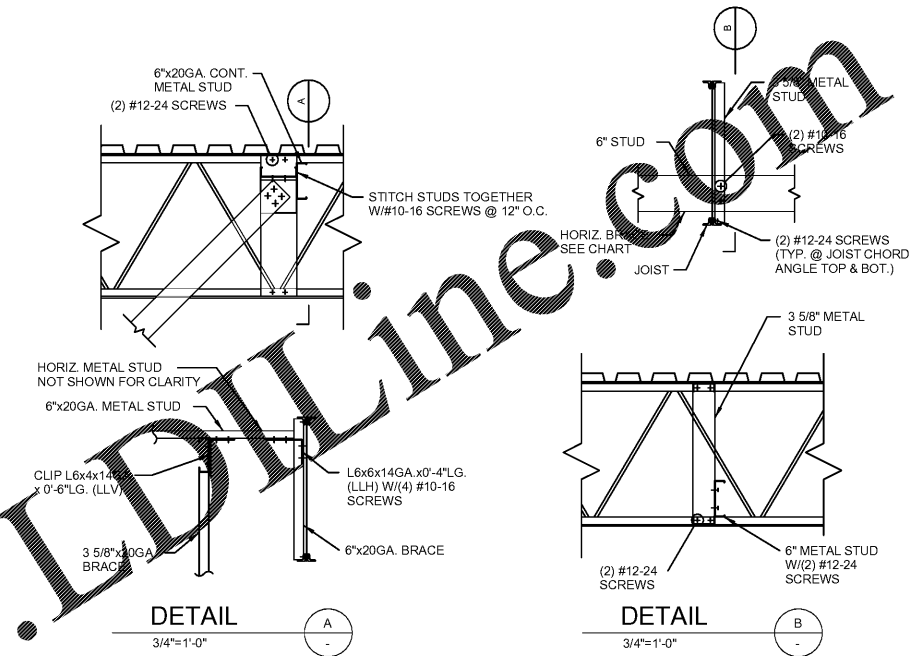


- NOTES:
- 1 1'-7\"/>
  - 2 1'-6\"/>
  - 3 1'-5\"/>
  - 4 VARIES: 1/4\"/>

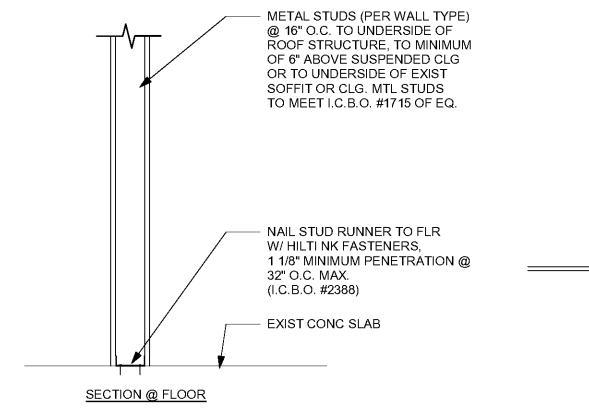
**1 WALL SECTION AT BACKBAR**  
Scale: 3/4\"/>



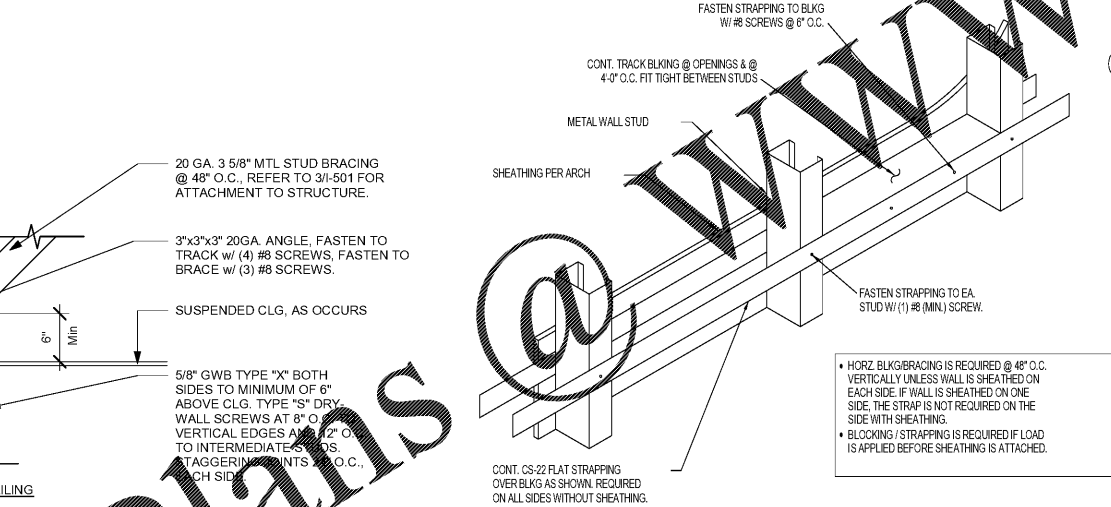
**2 NEW PARTITION WALL TO STRUCTURE**  
Scale: 3/4\"/>



**3 BRACING ATTACHMENT DETAILS**  
Scale: 3/4\"/>



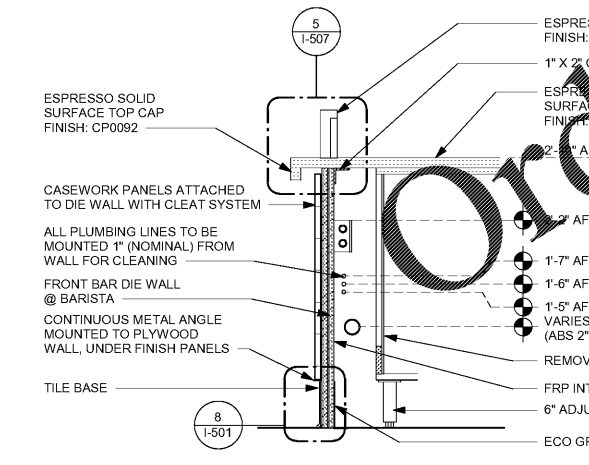
**4 NEW PARTITION WALL 6\"/> ABOVE CEILING**  
Scale: 1\"/>



**5 TYPICAL WALL BLOCKING BRACING**  
Scale: 3/4\"/>

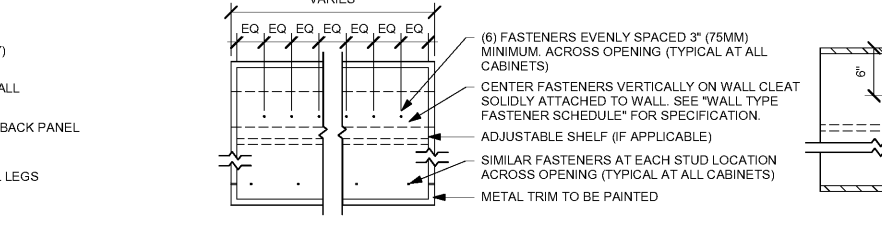
PARTITION WALL SCHEDULE				
WALL HEIGHT	STUD SIZE	DEFL TRACK	DEFL TRACK SPANNING BTWN (E) JOISTS	BOT TRACK
15 FEET	362S137-33	33 MIL	JST @ 4 O.C. JST @ 6 O.C.	54 MIL 68 MIL 33 MIL
20 FEET	550S162-33	33 MIL	JST @ 4 O.C. JST @ 6 O.C.	68 MIL 97 MIL 33 MIL
25 FEET	600S200-43	43 MIL	JST @ 4 O.C. JST @ 6 O.C.	68 MIL 97 MIL 33 MIL

**6 PARTITION WALL SCHEDULE**  
Scale: 3/4\"/>

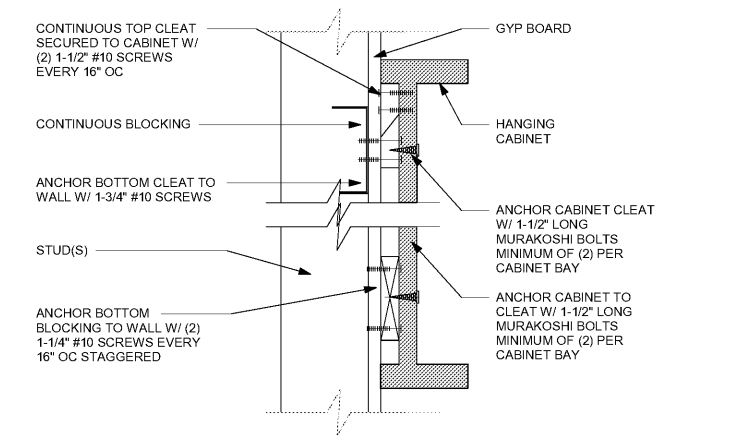


**7 WALL SECTION AT DIEWALL**  
Scale: 1\"/>

WALL TYPE FASTENER SCHEDULE			
WALL TYPE	WALL BLOCKING	FASTENERS	NOTES
WOOD FRAME	X	#6 X2\"/>	
METAL FRAME	X	#6CT X1 1/4\"/>	
CMU		MIN. 5/16\"/>	
CONCRETE		MIN. 1 1/2\"/>	
BRICK		MIN. 1 1/2\"/>	



**8 UPPER CABINET ATTACHMENT**  
Scale: 1\"/>



**9 ANCHOR DETAIL**  
Scale: 3\"/>



**STARBUCKS**  
2401 UTAH AVENUE SOUTH  
SEATTLE, WASHINGTON 98134  
(206) 318-1575

THESE DRAWINGS AND THE PROJECT MANUAL ARE CONFIDENTIAL AND SHALL REMAIN THE SOLE PROPERTY OF STARBUCKS CORPORATION, WHICH IS THE OWNER OF THE COPYRIGHT IN THIS WORK. THEY SHALL NOT BE REPRODUCED, IN WHOLE OR IN PART, SHARED WITH THIRD PARTIES OR USED IN ANY MANNER ON OTHER PROJECTS OR EXTENSIONS TO THIS PROJECT WITHOUT THE PRIOR WRITTEN CONSENT OF STARBUCKS CORPORATION. THESE DRAWINGS AND SPECIFICATIONS ARE INTENDED TO EXPRESS DESIGN INTENT FOR A PROTOTYPICAL STARBUCKS STORE (WHICH IS SUBJECT TO CHANGE AT ANYTIME) AND DO NOT REFLECT ACTUAL SITE CONDITIONS. NEITHER PARTY SHALL HAVE ANY OBLIGATION OR LIABILITY TO THE OTHER EXCEPT STATED ABOVE UNTIL A WRITTEN AGREEMENT IS FULLY EXECUTED BY BOTH PARTIES.

STARBUCKS TEMPLATE VERSION: I2020-02-10

**Design Forum Architects Inc.**  
2506 Byers Rd  
Miamisburg, OH 45342  
Tel: (844) 804-7700  
Donald J. Rehrman  
Architect In Charge  
License: AR0017303

**Design Forum Engineering**  
2506 Byers Rd  
Miamisburg, OH 45342  
Tel: (844) 804-7700  
Timothy L. Radermacher, PE  
Professional Engineer  
License: 62078

PROJECT NAME:  
**HARDEN & POLK**

PROJECT ADDRESS:  
1310 LAKESIDE VILLAGE CIR  
LAKELAND, FL 33803

STORE #: 2965  
PROJECT #: 21120-060  
ISSUE DATE: 08/17/20  
DESIGNER: RAI MONTERO  
PRODUCTION DESIGNER: ANDY MCLOUD  
CHECKED BY: RAI MONTERO

Revision Schedule			
Rev	Date	By	Description

SHEET TITLE:  
**BUILDING DETAILS**

SCALE: AS SHOWN

SHEET NUMBER:  
**A-501**