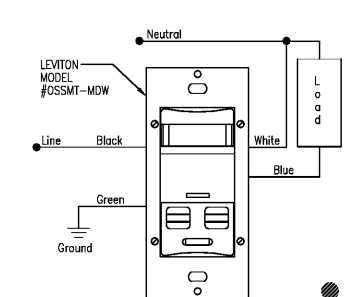
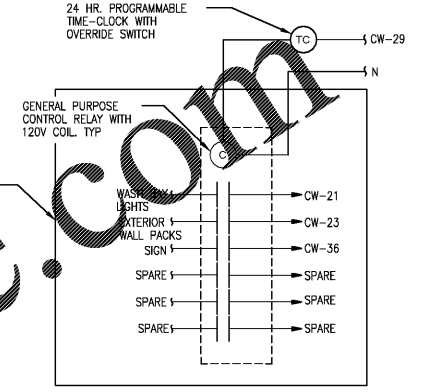


LIGHTING FIXTURE PACKAGE
 UNLESS OTHERWISE NOTED 7-ELEVEN SHALL PROVIDE THE INTERIOR AND EXTERIOR LIGHTING FIXTURE PACKAGE- FURNISHED BY GRAYBAR (INSTALLED BY G.C.)
LIGHT SWITCHES
 ALL OCCUPANCY SENSING SWITCHES ARE TO BE MULTI-TECHNOLOGY WALL SWITCH SENSOR, 1200 SQ. FT. MAJOR MOTION COVERAGE, 400 SQ. FT., MINOR MOTION COVERAGE, 800W@120V INC, 1200VA@120V FL, 2700VA@277V FL, 1/4HP@120V MOTOR, COMMERCIAL GRADE - WHITE CALIFORNIA TITLE 24 COMPLIANT. ALL TO BE PROVIDED BY GRAYBAR AND INSTALLED BY G.C.

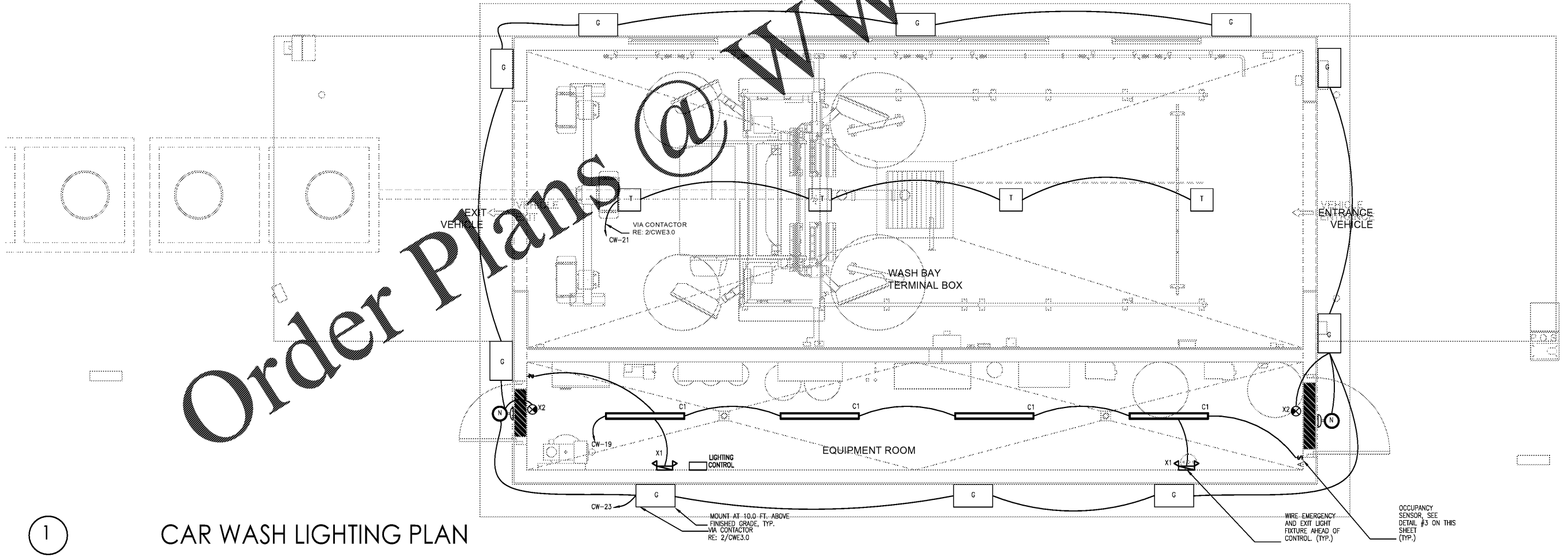
TYPE	MANUFACTURER	CATALOG NUMBER	VOLTS/PHASE	WATTS	LAMPS		MOUNTING	DESCRIPTION	QTY
					TYPE	QTY			
C1	PHILIPS	SN-2-48NUVSS-TLEDW	120/1	36	421875-1818/END/48-4000-UNV (LED)	2	SURFACE	SURFACE MOUNTED STRIP FIXTURE WITH PHILIPS LED LAMPS	4
G	BETA LED	SEC-EDG-3M-WM-06-D-UL-BZ-S25	120/1	102	LED	1	WALL	EXTERIOR LED WALL LIGHT	10
T	CREE	PKG-304-PS-DM-04-D-UL-WH-S25	120/1	68	LED	1	WALL	INTERIOR (WASH BAY) LED WALL LIGHT	4
X1	PHILIPS	E611W	120/1	11	LED	2	UNIVERSAL	EMERGENCY FIXTURE W/ 90 MINUTE BATTERY BACKUP	2
X2	PHILIPS	VERWEM	120/277V, 1	2	LED	2	UNIVERSAL	LED EXIT (RED) LETTERS; EMERGENCY BATTERY BACK-UP	2
N	PHILIPS	PLEMBZ	120/277V, 1	24	LED	8	WALL	LED WALL MOUNT; EMERGENCY BATTERY BACK-UP; 4500K	2



③ "A" OCCUPANCY SENSOR
T.S.



② TIME CLOCK CONTACTOR
N.T.S.



① CAR WASH LIGHTING PLAN
3/8" = 1'-0"

SEAL:
 THIS DOCUMENT IS NOT FOR REGULATORY APPROVAL, PERMITTING, OR CONSTRUCTION.

FOR BIDDING ONLY
 09/03/2020

NO. DATE REMARKS
 REVISIONS



7-ELEVEN
 STORE #41559
 1245 S. VOLUSIA AVENUE
 Orange City, FL 32763

PROJECT NO: 2019.0743
 DATE: APRIL 7, 2020

CWE3.0
 CAR WASH LIGHTING PLAN

CHECKED: - DRAWN: M.M.
 JONLOP - 09/02/2020 3:26:13 PM