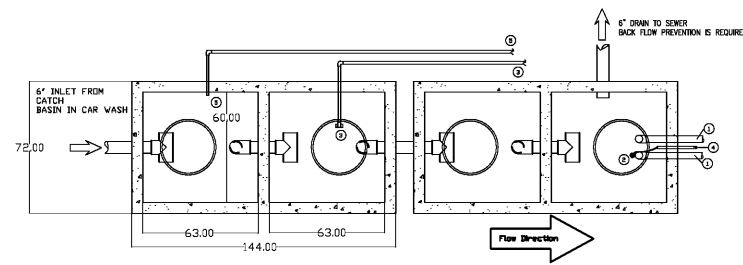


SEAL:

THIS DOCUMENT IS NOT
FOR REGULATORY
APPROVAL, PERMITTING,
OR CONSTRUCTION.

2 TANK CONFIGURATION FOR 5 MICRON
PUR-WATER RECOVERY SYSTEMS

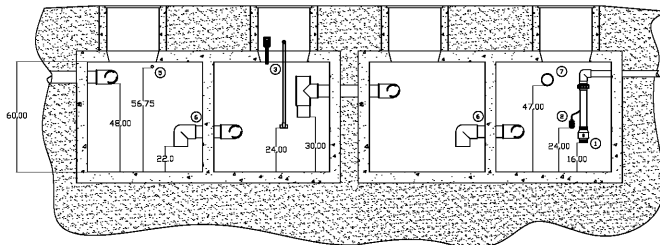
THIS IS THE SUGGESTED IDEAL CONFIGURATION FOR A 30 GPM LOW VOLUME 5 MICRON PUR-WATER SYSTEM. PUR-WATER RECOGNIZES THE FACT THAT SEPTIC TANKS ARE A LOCAL BUSINESS AND NOT ALL AREAS WILL HAVE THESE CONFIGURATIONS. THIS DRAWING IS OFFERED AS A GUIDELINE ONLY. IF YOU HAVE ANY QUESTIONS ABOUT A SIZE OR CONFIGURATION OF TANKS IN YOUR AREA, PLEASE CONTACT PUR-WATER AT 800-882-8854



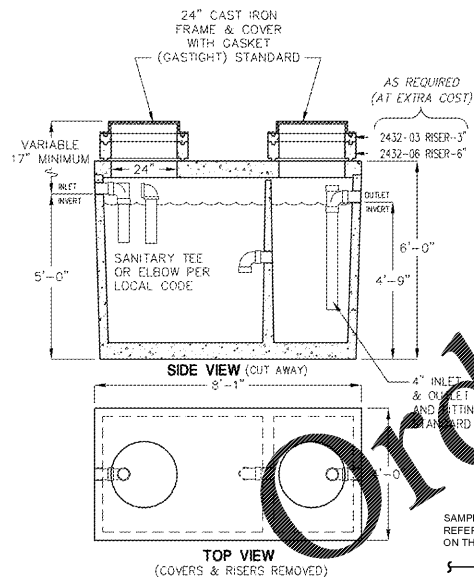
- TO PURWATER RECOVERY SYSTEM (2) 2" SCH 80 PVC SUCTION LINES, ONE TO SERVE AS A SPARE. LINES ARE STRAPPED TO THE TANK WALL. INSTALL SCH 80 UNIONS ABOVE THE WATERLINE TO ALLOW SERVICING OF EACH SUCTION LINE. TERMINATE SUCTION LINES W/ FULL FLOW FLAPPER CHECK VALVES (PURWATER SUPPLIED). NO SPRING LOADED FOOT VALVES.
- PURWATER PROVIDED (1) LOW-LOW SAFETY LEVEL FLOAT SHOULD BE MOUNTED SO THAT IT WILL BE IN THE DOWN POSITION 8" ABOVE THE BOTTOM OF THE FLAPPER CHECK. THIS FLOAT CONTROLS THE SAFETY FUNCTION TO PROTECT THE PUMP FROM A LOW WATER SITUATION.
- (1) 1" SCH 80 AIR SPARGER OR OZONE RECIRCULATION LINE. FOR AIR SPARGER SYSTEMS, ALLOW THE SPARGER TO BE 6-12" ABOVE THE WATER LINE. MOUNT IN THE MANWAY, IF POSSIBLE, TO ALLOW ACCESS FOR MAINTENANCE. FOR OZONE SYSTEMS, PLUMB THE LINE WITH A TEE, ON THE WET END, 24" UP FROM THE BOTTOM OF THE TANK.

NOTES:

DRAWING IS FOR REFERENCE ONLY AND IS TO BE USED FOR PLUMBING REFERENCE. CONSULT WITH TANK MANUFACTURER FOR TANK LOADS. CONSULT WITH CIVIL ENGINEER FOR SOIL PREPARATION AND TANK PLACEMENT. SEAL ALL TANK PENETRATIONS TO PROVIDE WATER TIGHT SEAL TO PREVENT TANK LEAKAGE INTO SOIL. LINE TO SEWER TO HAVE BACK FLOW PREVENTION. CONSULT WITH LOCAL AUTHORITIES ON WHETHER FURTHER TREATMENT (I.E. OIL/WATER SEPARATION IS REQUIRED TO MEET DISCHARGE PERMIT). APPROX. TANK VOLUME IS 1500 GALLONS PER TANK, EACH TANK IS DIVIDED BY INTERNAL BAFFLE. TOTAL WATER STORAGE IS APPROX. 3000 GALLONS.



750 GALLON
SAND-OIL INTERCEPTOR
MODEL JP750EE-SO
ACCEPTED BY UPC



NOTES:
OIL INTERCEPTOR EQUAL IS ACCEPTED.

GENERAL NOTES

- CONTRACTOR SHALL VERIFY THAT ALL PIPING TYPES AND SIZES MEET LOCAL CODE.
- WHEN DEEP FROST LOCATIONS ARE ENCOUNTERED, ROUTE SANITARY LINES UNDER BUILDING AS MUCH AS POSSIBLE.
- PROVIDE PVC SLEEVE FOR ALL COLD/HOT WATER FLOOR PIPE PENETRATIONS. MAKE SLEEVE LARGE ENOUGH FOR INSULATION. SEAL WITH GRAY MASTIC AND ENSURE OF NO WATER PENETRATIONS.
- FURNISH AND INSTALL WATTS BA VACUUM BREAKER ON ANY THREADED EXTERIOR OR INTERIOR FITTINGS.
- ALL WATER SHUT OFF VALVES SHALL BE "BALL LOCK" TYPE. PROVIDE SHUT-OFF VALVES AT EACH TERMINATION POINT OF ASSOCIATED EQUIPMENT.
- VERIFY GRADE OF INCOMING SANITARY SEWER BEFORE INSTALLATION OF SYSTEM.
- PROVIDE TRAP PRIMERS AND 1/2" COPPER TUBING CONNECTION TO ALL FLOOR AND HUB DRAINS.
- PITCH WASTE LINES AT 1/4" PER FOOT MINIMUM.
- INSTALL WATER PIPING ON INSIDE OF EXTERIOR WALL INSULATION TO PREVENT FREEZING.

PLUMBING SYMBOLS

SS	SANITARY SEWER	— —	UNION	FS	FLOOR SINK	
GW	GREASE WASTE	— —	ELBOW - TURNED DOWN	FCO	FLOOR CLEANOUT	
— —	DOMESTIC COLD WATER	— —	ELBOW - TURNED UP	YCO	YARD CLEANOUT	
— —	DOMESTIC HOT WATER	— —	TEE - TURNED DOWN	FPWH	FREEZE PROOF WALL HOBWANT	
RM	RECLAIM WATER LINE	— —	TEE - TURNED UP	HB	HOSE BIBB	
RO	R.O. WATER LINE	— —	BALL VALVE	HWCO	HUB CLEANOUT	
AIR	AIR LINE	— —	SHUT-OFF VALVE IN VERTICAL LINE	GR	GAS PRESSURE REGULATOR	
G	NATURAL GAS	— —	BACKFLOW PREVENTER	GC	GAS COCK	
— —	PLUMBING VENT	— —	FD	FLOOR DRAIN	WM	WATER METER

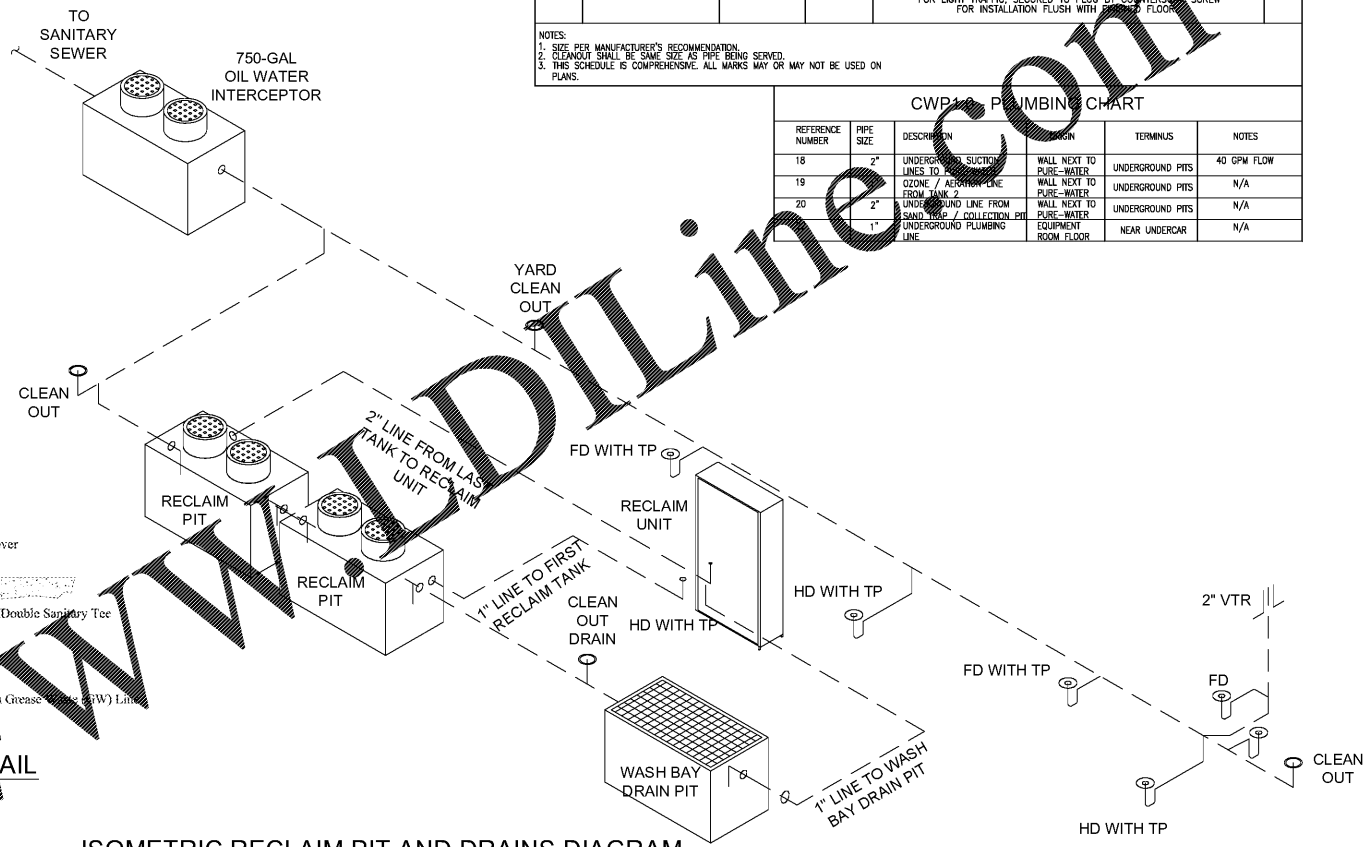
SPECIALTY PLUMBING FIXTURE SCHEDULE

TAG	FIXTURE	MANUFACTURER	MODEL	DESCRIPTION	NOTES
WH	WATER HAMMER ARRESTOR	SILOX CHIEF	652A	CONFORM TO PDH WH-201, ASSE 1010; TEMP TO 250°F, MAX 350 PSIG WORKING PRESSURE	1
TP	TRAP PRIMER	SILOX CHIEF	695	BRONZE PRIMER VALVE WITH REMOVABLE OPERATING PARTS INTEGRAL VACUUM BREAKER, AND GASKETED ACCESS COVER.	
---	REDUCED PRESSURE BACKFLOW PREVENTER	WILKINS	975XL	BRONZE BODY, WITH SHUT-OFF VALVES, Y STRAINER, AND TEST COCKS.	
FD	FLOOR DRAIN	JOSAM	3000-5A-50	CAST IRON FLOOR DRAIN, TWO-PIECE BODY WITH DOUBLE DRAINAGE FLANGE, WELDED INVERTIBLE NON-PUNCTURING FLASHING COLLAR, WEAPHOLES, BOTTOM OUTLET AND ADJUSTABLE SATIN NIKALOY ROUND SUPER-FLO STRAINER. (OBSERVE TWO PIPE SIZE CHANGES OF DRAINS WHERE FLOOR DRAIN NOT DIRECTLY VENTED.) INCLUDE #86250-90 PRIMER VALVE (OR EQUIVALENT) TO TIE TO COLDWATER LINE BELOW SINK.	2
HD	HUB DRAIN	---	---	SIZE SPECIFIED ON DRAWINGS	
FS	FLOOR SINK	JOSAM	49323A-LF-3	CAST IRON 12" X 12" FLOOR SINK WITH 3" DRAIN CONNECTION, CAST IRON 1/2" GRATE AND ALUMINUM INTERNAL DOME STRAINER.	
FCO	FLOOR CLEANOUT	JOSAM	55000 & 55000-1	ADJUSTABLE CAST IRON FLOOR CLEAN-OUT WITH INSIDE CALKUL OUTLET, COATED CAST IRON INTERNAL CLEAN-OUT (STANDARD LEAD SEAL, SATIN TOP, BRASS RIM, AND BRASS SCREWS). OVERPLATE FOR LIGHT TRAFFIC, SECURED TO FLOOR BY SCREWS. OVERPLATE FOR INSTALLATION FLUSH WITH FLOOR.	

- SIZE PER MANUFACTURER'S RECOMMENDATION.
- CLEANOUT SHALL BE SAME SIZE AS PIPE BEING SERVED.
- THIS SCHEDULE IS COMPREHENSIVE. ALL WORKS MAY OR MAY NOT BE USED ON PLANS.

CWP1.0 PLUMBING CHART

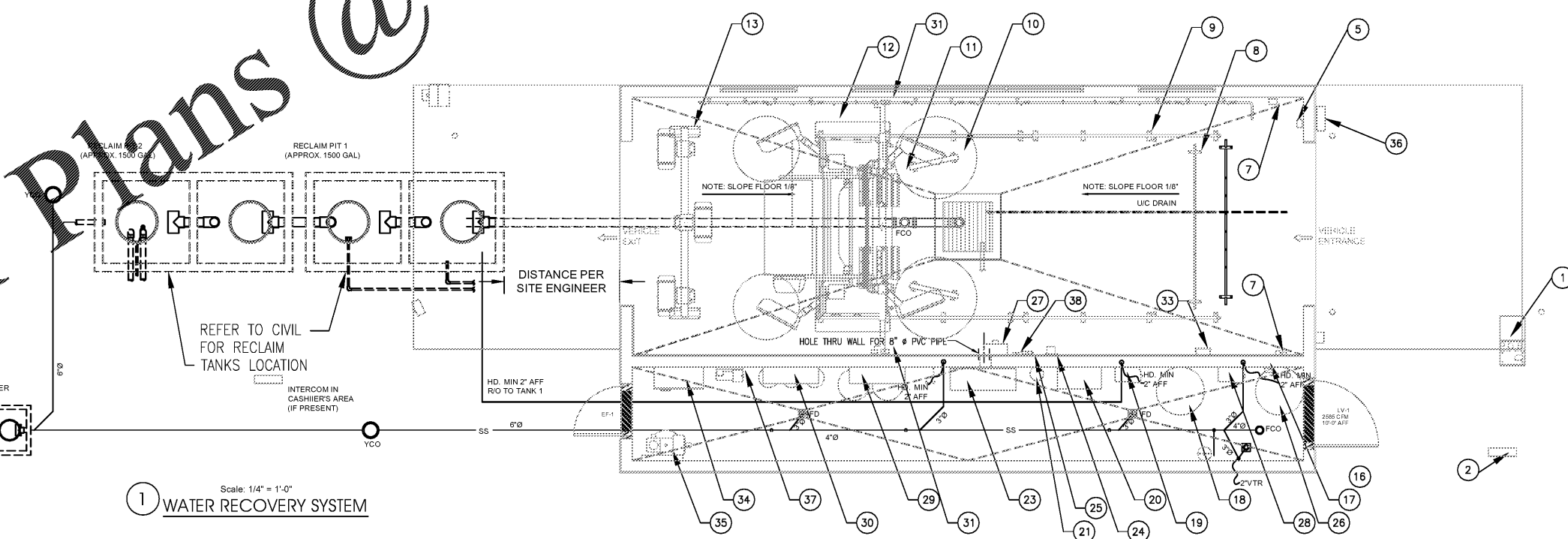
REFERENCE NUMBER	PIPE SIZE	DESCRIPTION	TERMINUS	NOTES
18	2"	UNDERGROUND SUCTION LINES TO RECLAIM UNIT	WALL NEXT TO PUR-WATER	40 GPM FLOW
19	2"	UNDERGROUND OZONE / AIR SPARGER LINE FROM TANK 2	WALL NEXT TO PUR-WATER	N/A
20	2"	UNDERGROUND LINE FROM SAND TRAP / COLLECTION PIT	WALL NEXT TO PUR-WATER	N/A
	1"	UNDERGROUND PLUMBING LINE	EQUIPMENT ROOM FLOOR	N/A



SAMPLE PORT DETAIL



ISOMETRIC RECLAIM PIT AND DRAINS DIAGRAM



Order Plans @

1 WATER RECOVERY SYSTEM

Scale: 1/4" = 1'-0"

LIQUID CAPACITY: 750 GALLONS.
BOX DESIGN LOAD: H-20 TRAFFIC FROM 1" TO 6" OF SOIL COVER.
FOR COMPLETE DESIGN AND PRODUCT INFORMATION CONTACT JENSEN PRECAST.



FOR BIDDING ONLY
09/03/2020

NO DATE REMARKS
REVISIONS



7-ELEVEN
STORE #41559

1245 S. VOLUSIA AVENUE
Orange City, FL 32763

PROJECT NO: 2019.0743
DATE: APRIL 7, 2020

CWP1.0
CARWASH RECOVERY AND
PLUMBING SCHEDULE

CHECKED: JL DRAWN: JR