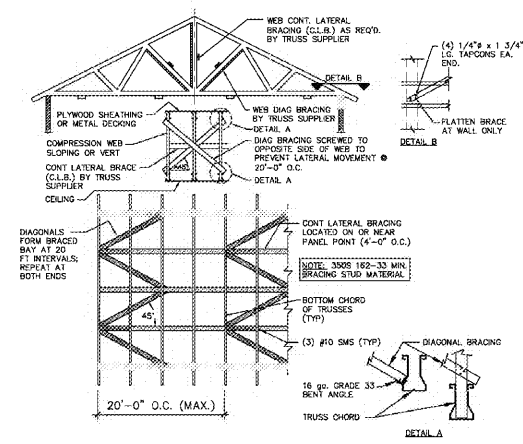


**8" C.M.U. PRECAST LINTEL SCHEDULE**  
N.T.S.

- NOTES:**
- 8" PRECAST LINTELS BY CASTCRETE CORPORATION OR APPROVED EQUAL.
  - SHORE PRECAST LINTEL PER MANUFACTURER RECOMMENDATIONS.
  - SEE THE ARCHITECTURAL DRAWINGS FOR SIZE AND LOCATION OF ALL OPENINGS.
  - PROVIDE 8" MINIMUM BEARING EACH END.



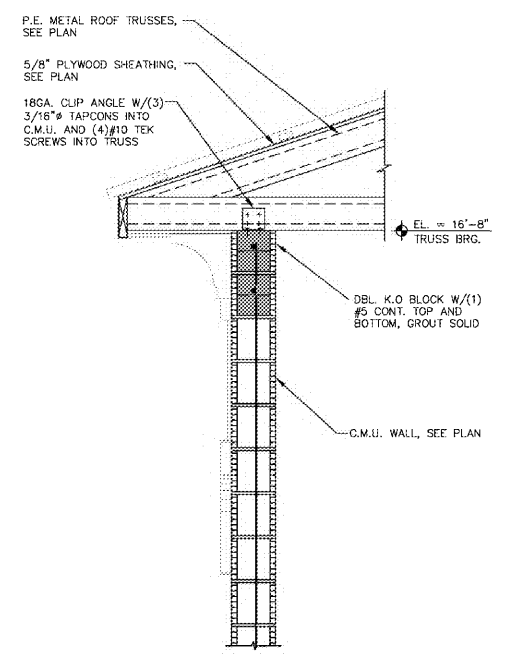
METAL TRUSSES SHALL BE STORED, HANDLED AND BRACED IN ACCORDANCE WITH THE L.O.S.E.A.'s "FIELD INSTALLATION GUIDE FOR COLD-FORMED STEEL ROOF TRUSSES"

- WEB BRACING:**
- THE TRUSS FABRICATOR SHALL PROVIDE AND LOCATE CONTINUOUS LATERAL BRACING (C.L.B.) FOR EACH TRUSS WEB MEMBER AS REQUIRED. ALTERNATE SCAB, "L" AND "T" WEB BRACING MAY BE SUBSTITUTED FOR C.L.B.
  - LATERAL BRACING SHALL BE RESTRAINED BY DIAGONAL BRACING (2" NOMINAL WIDE). THIS BRACING IS TO BE CONTINUOUS.
  - A MINIMUM OF TWO ROWS OF DIAGONAL BRACING IS REQUIRED, ONE AT EACH VERTICAL WEB MEMBER CLOSEST TO BEARING LOCATIONS.

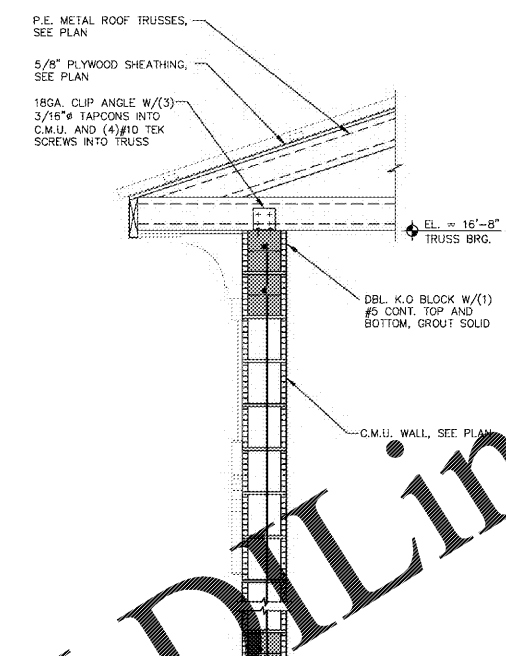
- BOTTOM CHORD BRACING:**
- THE BOTTOM CHORDS SHALL BE BRACED BY CONTINUOUS LATERAL BRACING SPACED AT 4'-0" O.C., SCREWED TO BOTTOM OF THE BOTTOM CHORD. DIAGONALS PLACED AT 45° TO THE LATERAL BRACES SHALL BE LOCATED AT EACH END AND AT 20 FOOT INTERVALS. THE MINIMUM BOTTOM CHORD C.L.B. AND DIAGONAL BRACING SHALL BE 3505 162-33, TYPICAL.
  - WHERE THE BOTTOM CHORDS ARE CONTINUOUSLY BRACED WITH A RIGID CEILING, C.L.B. SHALL BE SPACED AT 8'-0" O.C. WITH DIAGONAL BRACING.

- TOP CHORD BRACING:**
- IF PLYWOOD OR METAL DECKING IS APPLIED DIRECTLY TO TOP CHORD, PROPERLY LAPPED AND SCREWED TO DEVELOP DIAPHRAGM ACTION, BRACING IS NOT REQUIRED.
  - IF PURLINS ARE USED, DIAGONAL TOP CHORD BRACING IS REQUIRED AT EACH END. IF BUILDING EXCEEDS 60 FEET IN LENGTH, DIAGONAL BRACING SHOULD BE REPEATED AT 20 FOOT INTERVALS.

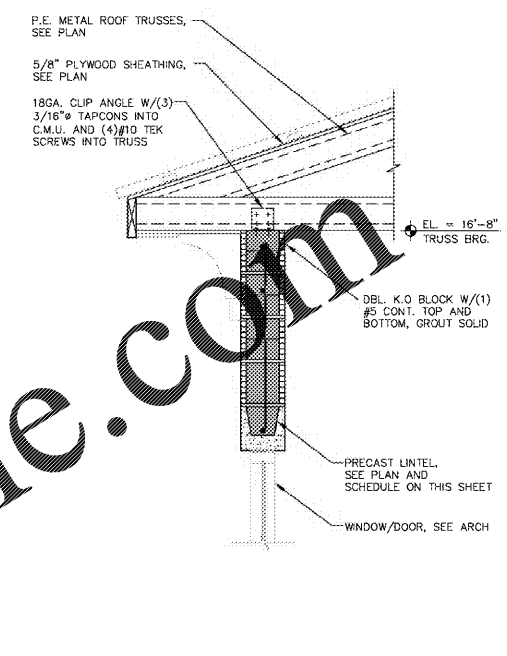
**METAL TRUSS BRACING DETAIL**  
N.T.S.



**SECTION 1**  
3/4" = 1'-0"  
CWS3.1



**SECTION 2**  
3/4" = 1'-0"  
CWS3.1



**SECTION 3**  
3/4" = 1'-0"  
CWS3.1

Order Plans @ www.LDILine.com