

DESIGN LOAD SCHEDULE	
(ALL LOADS SHOWN ARE IN POUNDS PER SQ. FT.)	
COMPONENT	AREA
SYSTEM	25
TOTAL DEAD LOAD	25
TOTAL LIVE LOAD	20
TOTAL LOAD	45

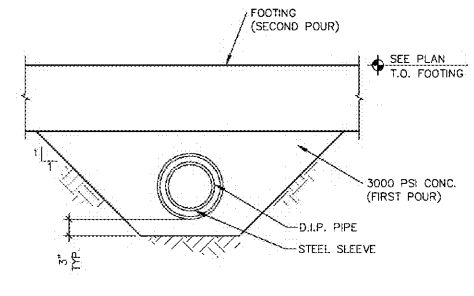
MASONRY WALL SCHEDULE		
MARK	THICKNESS	REINFORCING
MW-1	8" CMU	#6 @ 48" O.C.(CENTERED)

MASONRY WALL NOTES:
1. WALL SEGMENTS SHALL BE REINFORCED WITH 9 GA. GALVANIZED LATERAL REINFORCING @ 16" O.C. HORIZ. EXTEND REINFORCING 6" INTO POURED ELEMENTS AND AROUND ENCASED STEEL.
2. ADJACENT TO ANY EXTERIOR/INTERIOR WALL OPENING, PLACE 1 #6 VERTICAL IN CELL GROUTED SOLID, FULL HEIGHT.
3. ALL MASONRY REINFORCED CELLS SHALL BE FILLED WITH 3000 PSI GROUT MIX.

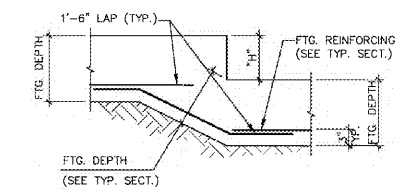
FOOTING SCHEDULE		
MARK	SIZE	REINFORCING
F24.12	2'-0" X 12" X CONT.	(2) #5 CONT. BOTTOM

ROOF WIND PRESSURE (PSF)			
COMPONENTS AND CLADDING-EXP. C-108 MPH(ASD) WIND SPEED			
EFFECTIVE WIND AREA (SQ. FT.)	ROOF AREA		
	1	2	3
10	+12.9/-28.1	+12.9/-47.1	+12.9/-71.0
20	+12.9/-27.3	+12.9/-42.1	+12.9/-58.7
50	+12.9/-26.4	+12.9/-35.5	+12.9/-42.7
100	+12.9/-25.7	+12.9/-30.4	+12.9/-30.4

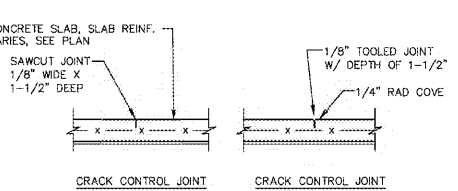
DOOR & WINDOW WIND PRESSURE (PSF)		
COMPONENTS AND CLADDING-EXP. C-108 MPH(ASD) WIND SPEED		
SIZE OF WALL OPENING (SQ. FT.)	WALL AREA	
	4	5
10	+28.1/-30.4	+28.1/-37.5
20	+26.8/-29.2	+26.8/-35.1
50	+25.2/-27.5	+25.2/-31.7
100	+23.9/-26.3	+23.9/-29.2



TYP. PIPE UNDER FTG.

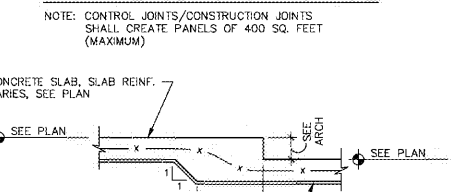


TYP. STEPPED FTG.

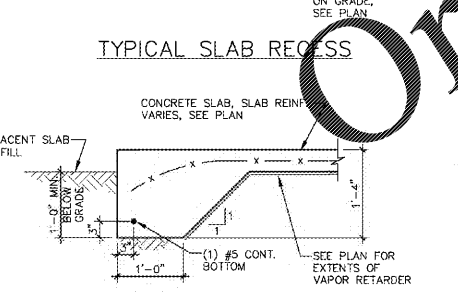


TYPICAL SLAB-ON-GRADE

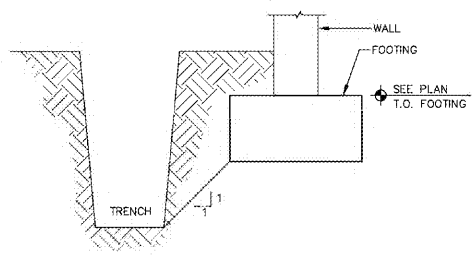
NOTE: CONTROL JOINTS/CONSTRUCTION JOINTS SHALL CREATE PANELS OF 400 SQ. FEET (MAXIMUM)



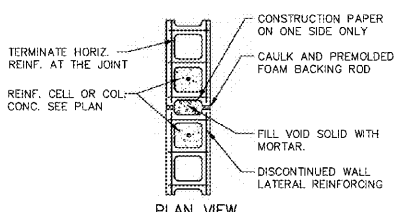
TYPICAL SLAB RECESS



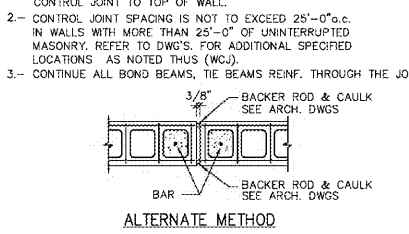
THICKENED EDGE (T.E.)



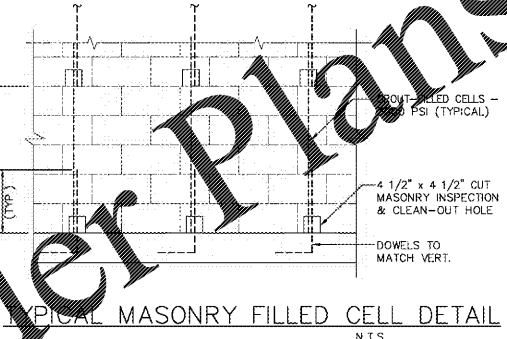
TYP. FTG. ADJACENT TO TRENCH



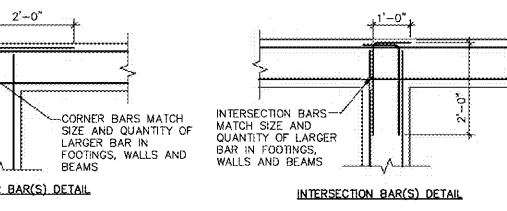
CMU WALL CONTROL JOINT (WCJ) DETAIL



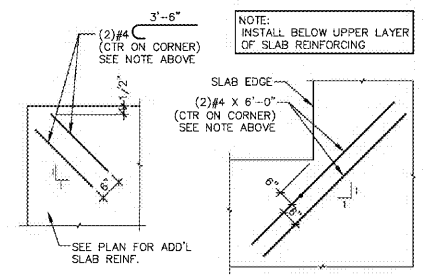
ALTERNATE METHOD



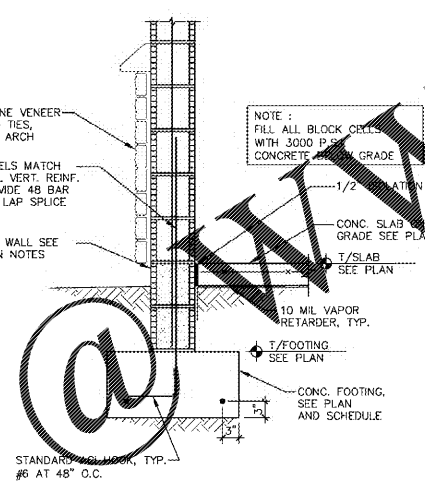
TYPICAL MASONRY FILLED CELL DETAIL



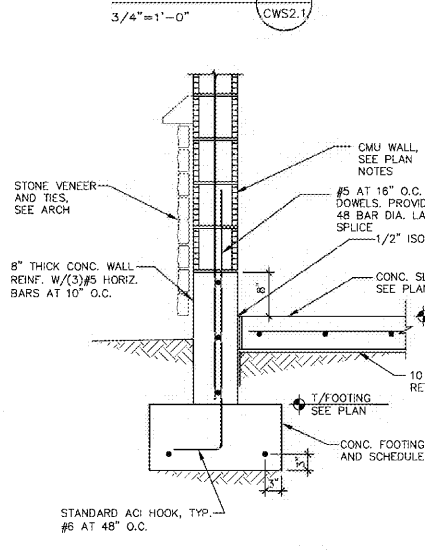
TYPICAL BAR DETAILS



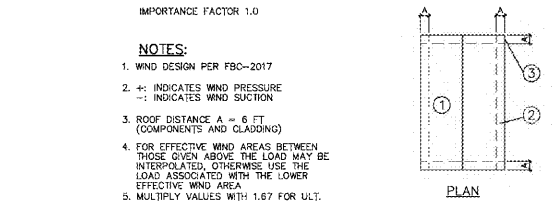
TYP. SLAB CORNER REINF.



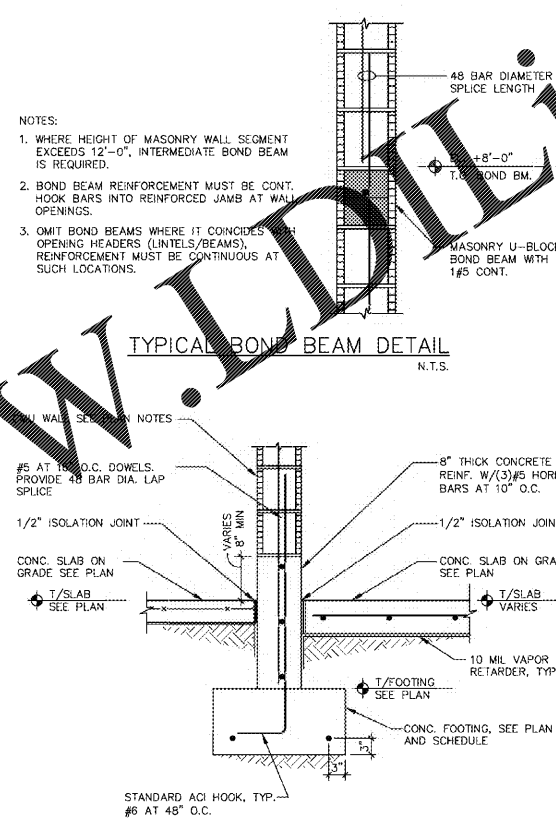
SECTION 1 3/4"=1'-0" CWS2.1



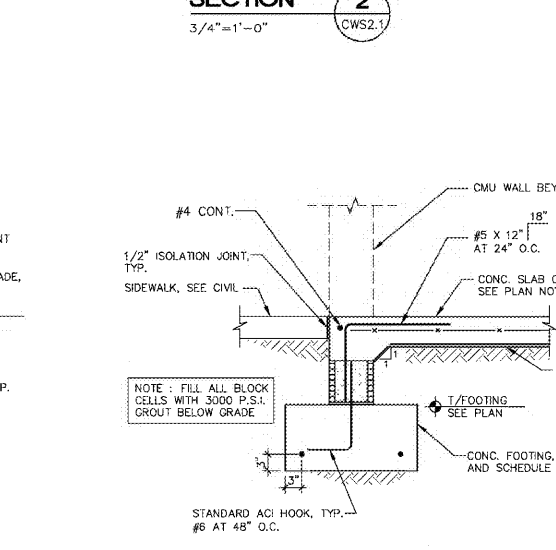
SECTION 4 3/4"=1'-0" CWS2.1



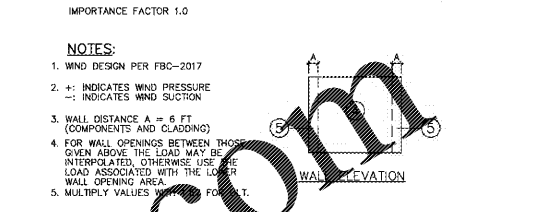
TYPICAL BOND BEAM DETAIL



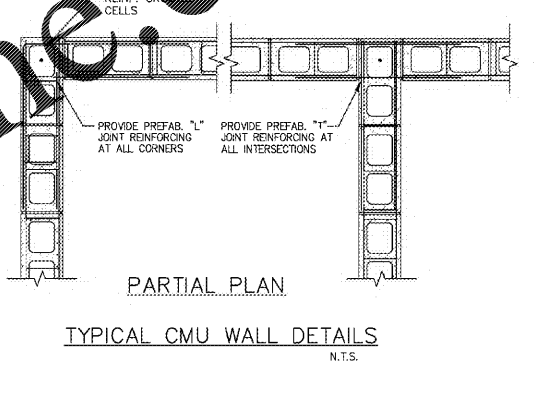
SECTION 2 3/4"=1'-0" CWS2.1



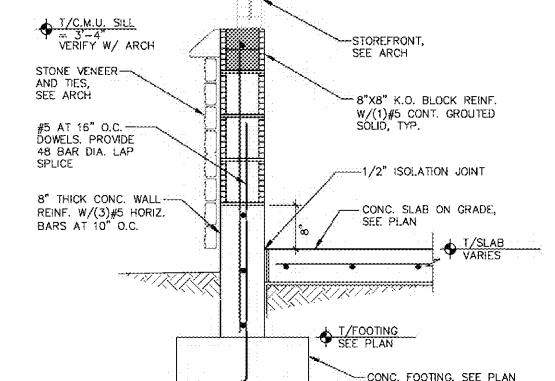
SECTION 5 3/4"=1'-0" CWS2.1



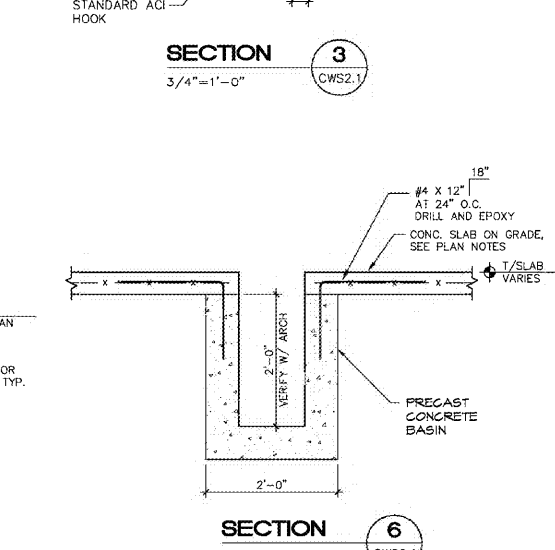
PARTIAL PLAN



TYPICAL CMU WALL DETAILS



SECTION 3 3/4"=1'-0" CWS2.1



SECTION 6 3/4"=1'-0" CWS2.1

Order Plans

@WWW.IDLINE.COM

WWW.IDLINE.COM