

Date	Rev.	Description
02.09.19	00	Original
03.17.20	R1	Update with new building elevations
03.30.20	R2	Update art with new site plan, elevations
08.31.20	R3	Update with new site plan and make changes on redlines

ZONING: CG

SQUARE FOOTAGE FORMULA

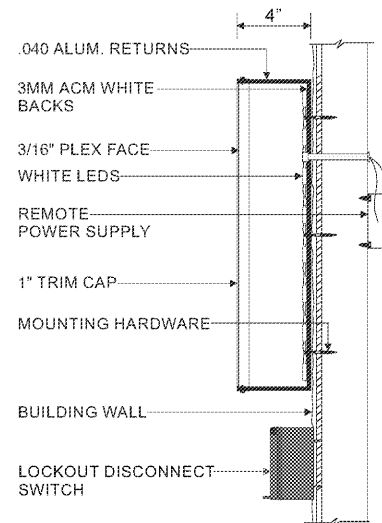


ONE (1) SET OF 16" INTERNALLY ILLUMINATED REMOTE CHANNEL LETTERS. 3/16" THICK WHITE ACRYLIC FACES W/ 3M 3630-26, GREEN TRANSLUCENT VINYL GRAPHICS APPLIED FIRST SURFACE. LETTERS TO BE INTERNALLY ILLUMINATED W/ WHITE LEDS. 4" DEEP ALUMINUM RETURNS PRE-PAINTED DURANODIC BRONZE. 1" DURANODIC BRONZE TRIM CAP.

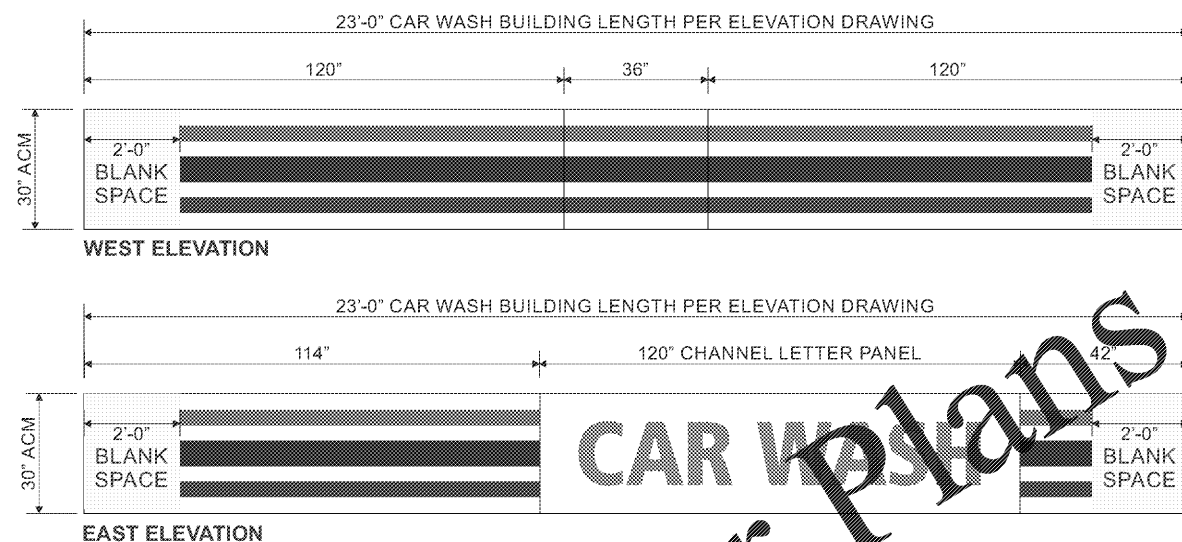
NOTE: ACTUAL LOCATION OF DISCONNECT SWITCH BOX MAY VARY. CIRCUITS AND SWITCH TO BE PROVIDED BY OTHERS. INPUT VOLTAGE - 120V
ALL SIGNAGE WILL BE (MET) LISTED,(U.L.) 48STD COMPLIANT AND CARRY (MET) LABELS

Front Elevation & Side Mounting View - Standard 16" Remote "Car Wash" Channel Letters - Sign J1

1/2" = 1'-0"



Display Square Footage: 11.2



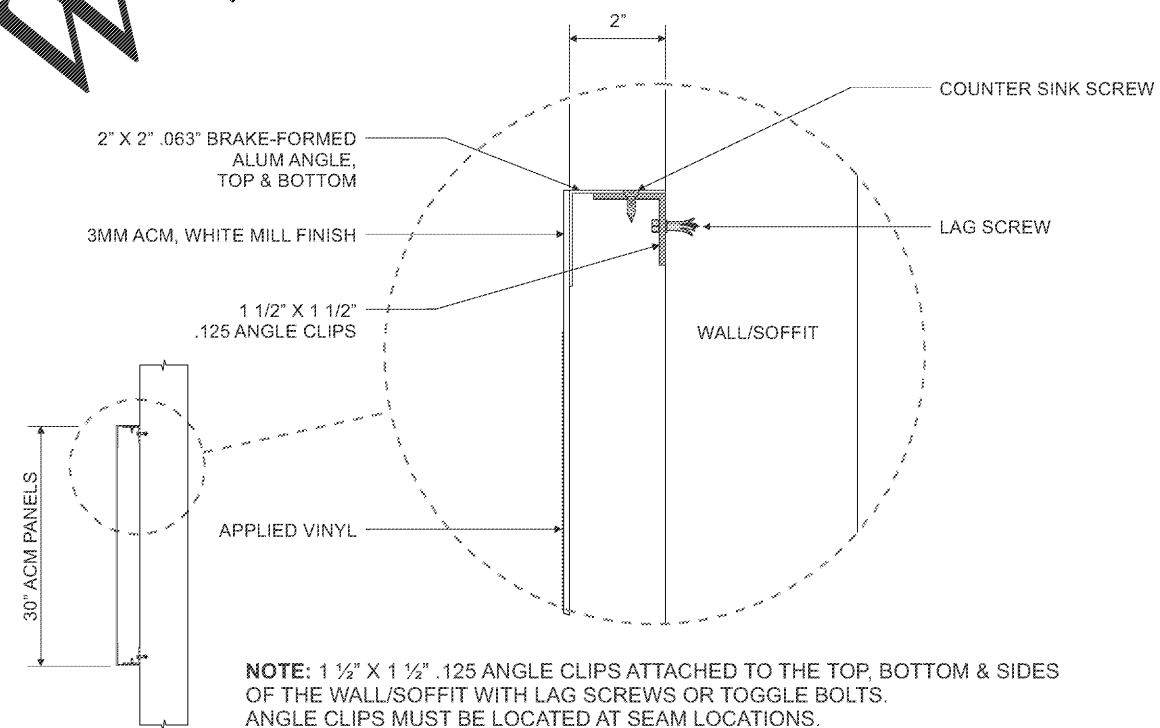
TWO (2) SETS OF 3MM THICK ACM PANELS FOR AN EXISTING CARWASH BUILDING FASCIA. PRE-PAINTED ACM PANELS W/ DIGITALLY PRINTED GRAPHIC APPLIED DIRECTLY FIRST SURFACE, W/ 3M 8520 OVER LAMINATE. ACM PANELS WILL BE BACK WITH PRE-PAINTED WHITE 2" X 2" .063" BRAKE-FORMED ALUM. ANGLE. PANELS TO BE ALIGNED FLUSH NEXT TO ONE ANOTHER & INSTALLED W/ 1 1/2" X 1 1/2" .125 ALUM. ANGLE CLIPS ATTACHED TO THE EDGE OF THE ACM 2"X2" ANGLE TO INSTALL ONTO EXISTING CARWASH BUILDING FASCIA. CORNERS ARE FABRICATED WHITE SECTIONS WITH 24" ON EACH SIDE OF CORNER FLUSH NEXT TO ONE ANOTHER.

7-ELEVEN COLOR SPECS: PMS-021C ORANGE, PMS-485C RED, PMS-349C GREEN

NOTE: END SECTIONS ARE PRODUCED WITH 2'-0" OF WHITE ON CORNERS.

Front View - Aluminum Composite Material (ACM) Panels Tatayama Style ACM Panels - Sign Type J2

1/4" = 1'-0"



NOTE: 1 1/2" X 1 1/2" .125 ANGLE CLIPS ATTACHED TO THE TOP, BOTTOM & SIDES OF THE WALL/SOFFIT WITH LAG SCREWS OR TOGGLE BOLTS. ANGLE CLIPS MUST BE LOCATED AT SEAM LOCATIONS. (DEPENDING ON CONDITIONS). ACM PANELS TO BE ATTACHED TO ANGLE WITH COUNTER SINK SCREWS TOP AND BOTTOM.

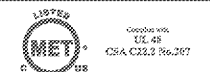
Side Mounting Detail - Aluminum Composite Material(ACM) Panels - Sign J2

3" = 1'-0"

Site Notes:

Customer Approval: _____ DATE: _____

Page: 8



THE STRUCTURAL DESIGN CONFORMS TO THE FOLLOWING CODES AND SPECIFICATIONS:
THE FLORIDA BUILDING CODE SIXTH EDITION (2011), THE AMERICAN INSTITUTE OF STEEL CONSTRUCTION (MANUAL OF STEEL CONSTRUCTION, 9TH EDITION), THE AMERICAN WELDING SOCIETY (AWS) D1.1: THE AMERICAN CONCRETE INSTITUTE BUILDING CODE REQUIREMENTS FOR STRUCTURAL CONCRETE (ACI 308-14), THE SPECIFICATION FOR ALUMINUM STRUCTURES BY THE ALUMINUM ASSOCIATION (CURRENT EDITION).