

KEYED NOTES

- ISOLATED GROUND (IG) 20 AMP CIRCUIT FOR ATM, FLUSH MOUNT DUPLEX FACE PLATE WITH ORANGE RECEPTACLE.
- WORK STATION RECEPTACLE FOR TASK LIGHTING AND TRAINING COMPUTER.
- ISOLATED GROUND (IG) 20 AMP CIRCUIT FOR STORE COMPUTER, FLUSH MOUNT FACE PLATE FOR DUPLEX RECEPTACLE WHICH RECEIVES PLUG FROM UPS (BATTERY BACKUP) AND FUTURE PERIPHERALS.
- QUAD RECEPTACLE FOR SECURITY EQUIPMENT. RECEPTACLE RECEIVES THE FOLLOWING EQUIPMENT PLUGS:
 - VCR
 - MULTIPLEX CONNECTION FOR CAMERAS
 - INTERCOM TO RECORD AUDIO AT SALES COUNTER
 - ALARM RECEIVER.
- ISOLATED GROUND (IG) 20 AMP CIRCUIT FOR STORE COMPUTER, FLUSH MOUNT FACE PLATE FOR QUAD RECEPTACLE.
- QUAD TO BE MOUNTED BEHIND CIGARETTE FIXTURE SO NOT VISIBLE TO CUSTOMER
- RJ11 FLUSH MOUNT FACE PLATE FOR ATM DATA LINE TO RIS COMPUTER WITH JACK TO BE LABELED 'ATM'.
- DATA FOR NETWORK SWITCH DIGITAL MENU BOARD.
- JUNCTION BOX FOR CONNECTION TO POWER STRIP ON COOK WORKSTATION.

- ACCESS POINT EXTENDED ANTENNA CABLES, FOUR CAT 6 CABLES, RJ45 FEMALE IN A 4-PLEX, COVER PLATE LABELED TO 3 LOCATIONS BELOW:
 - CAT6 RJ45 FEMALE JACK CENTER OF SALES FLOOR SUSPENDED ABOVE CEILING TILE (MAY NEED TO MOVE LATER). 100' IN TOTAL LENGTH WITH EXTRA COILED AT FEMALE JACK
 - CAT6 RJ45 FEMALE JACK CENTER OF SALES FLOOR SUSPENDED ABOVE CEILING TILE (MAY NEED TO MOVE LATER). 100' IN TOTAL LENGTH WITH EXTRA COILED AT FEMALE JACK
 - CAT6 RJ45 FEMALE JACK IN RECEPTACLE 84" ABOVE FLOOR - CENTER OF WALK-IN COOLER.
- DATA TELEPHONE CABLING PROVIDED BY LTCC. CONTACT GREGORY LEVALDS (972) 801-9950. CONDUIT AND BOXES TO BE FURNISHED BY OWNER AND INSTALLED BY G.C.
- 24"x36" FIRE RETARDANT U-BACK TACKBOARD SHALL BE PLACED BEHIND RIS MONITOR AND ABOVE WORKSTATION RECEPTACLES. BACKBOARD WILL SUPPLY MOUNTING FOR SRX ROUTER AND RIS SWITCH. PROVIDED AND INSTALLED BY LTCC
- QUAD RECEPTACLE FOR QSIC EQUIPMENT, RECEPTACLE RECEIVES THE FOLLOWING EQUIPMENT PLUGS
 - QSIC
 - AVA POWER
 - ROUTER
 - SPARE
- QSIC DATA AND SPEAKER WIRE TO COME OUT OF 6 WAY DATA OUTLET (DATA TO BE TERMINATED, BLANKS LEFT FOR SPEAKER AND AVA WIRE TO COME OUT).

SYMBOL LEGEND

- 125 V GFCI RECEPTACLE, DUPLEX
- 125 V RECEPTACLE, DUPLEX
- 125 V I.G. RECEPTACLE, DUPLEX
- 125 V RECEPTACLE, DOUBLE DUPLEX
- 125 V I.G. RECEPTACLE, DOUBLE DUPLEX
- SPECIAL RECEPTACLE FOR POWER STRIP FOR NETWORK CONFIG
- TELEPHONE / DATA TITLES

INTERPLAN

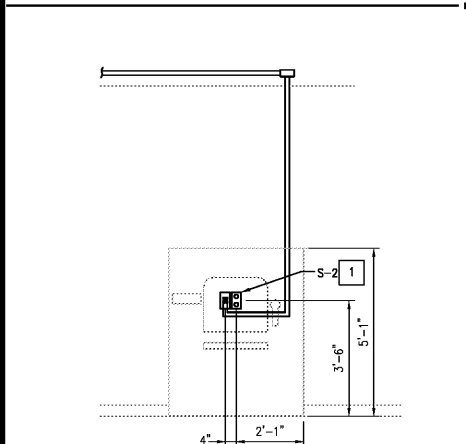
ARCHITECTURE
ENGINEERING
INTERIOR DESIGN
PROJECT MANAGEMENT

AR0011595
CA 8660

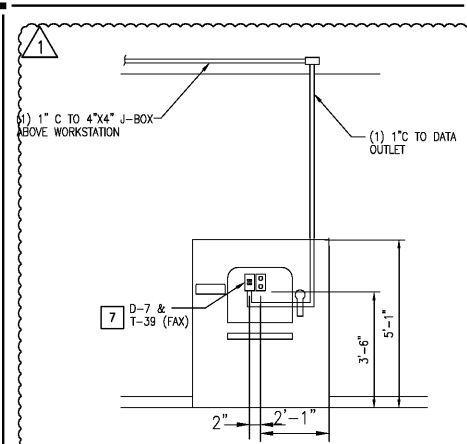
604 COURTLAND STREET
SUITE 100
ORLANDO, FLORIDA 32804
PH 407.645.5008
FX 407.629.9124

SEAL:

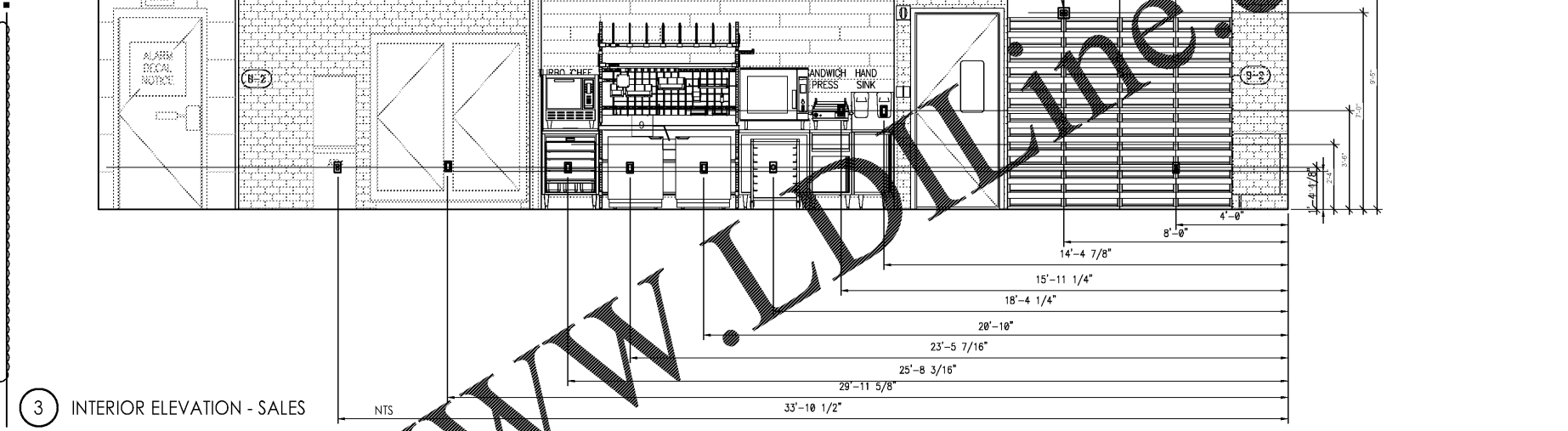
THIS DOCUMENT IS NOT FOR REGULATORY APPROVAL, PERMITTING, OR CONSTRUCTION.



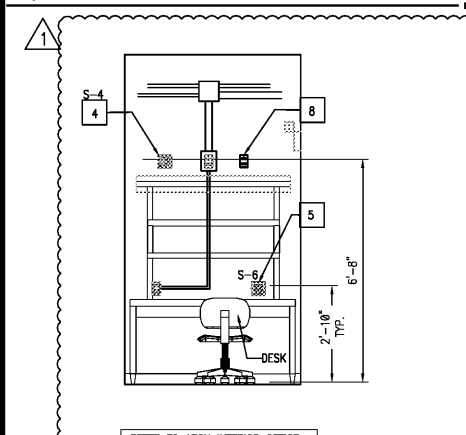
1 ATM WIRING-POWER NTS



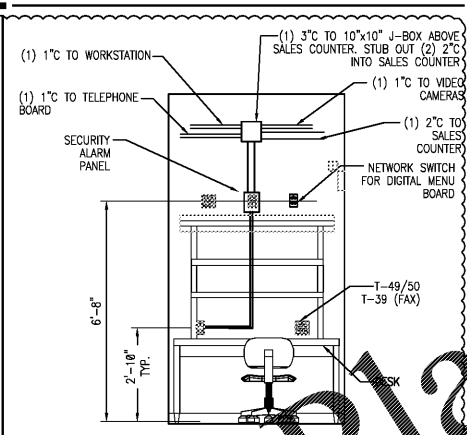
2 ATM WIRING LOW VOLTAGE NTS



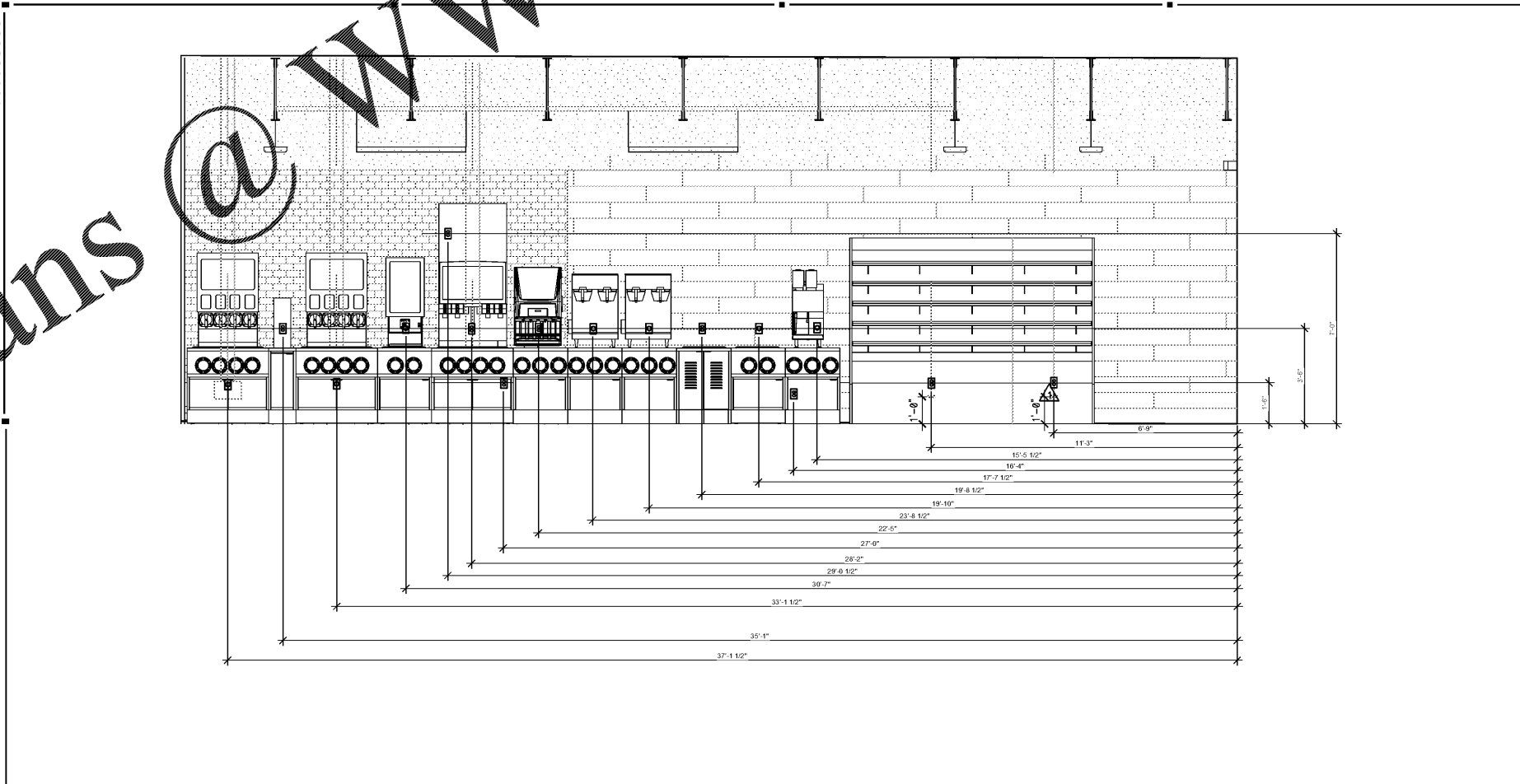
3 INTERIOR ELEVATION - SALES NTS



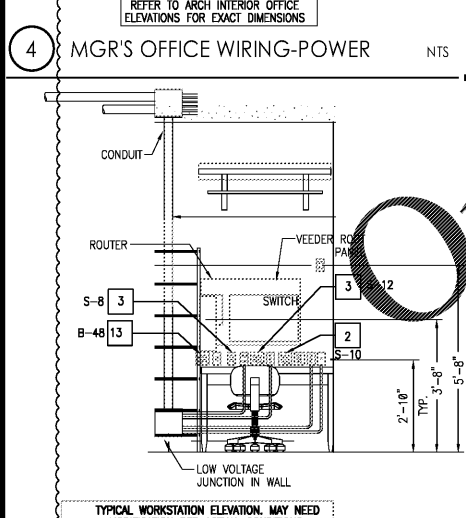
4 MGR'S OFFICE WIRING-POWER NTS



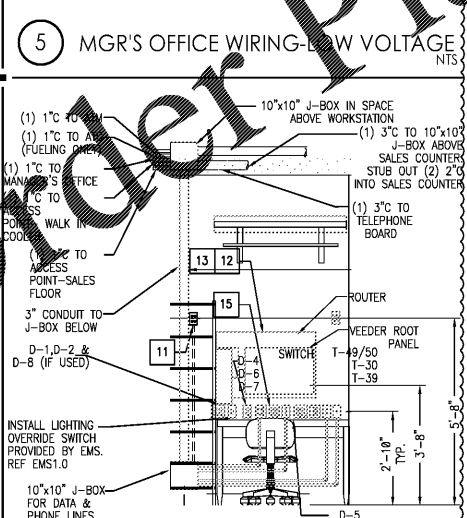
5 MGR'S OFFICE WIRING-LOW VOLTAGE NTS



6 INTERIOR ELEVATION - BEVERAGE BAR NTS



7 WORKSTATION WIRING-POWER NTS



8 WORKSTATION WIRING-LOW VOLTAGE NTS

FOR BIDDING ONLY

09/03/2020

NO.	DATE	REVISIONS	REMARKS
1	04-27-20		PEER COMMENTS



7-ELEVEN
STORE #41559

1245 S. VOLUSIA AVENUE
Orlando City, FL 32763

PROJECT NO: 2019.0743
DATE: APRIL 7, 2020

E1.6
ELECTRICAL DETAILS

CHECKED: - DRAWN: M.M.
JONLOP - 09/02/2020 3:35:03 PM

P:\17\17092019\0162 - 7-Eleven - Volusia Ave @ Florida Mall\Arc_Change_City_113_1245_S_Volusia_Avenue\7-Eleven_Electrical\0162_113_1245_S_Volusia_Avenue\0162_113_1245_S_Volusia_Avenue_0162_113_1245_S_Volusia_Avenue_0162_113_1245_S_Volusia_Avenue.dwg (General Documentation) part 1 - ARCH MALL STORE #41559 - 2400162.dwg, 1:1