

SEAL:

**THIS DOCUMENT IS NOT
FOR REGULATORY
APPROVAL, PERMITTING,
OR CONSTRUCTION.**

FOR BIDDING ONLY

09/03/2020

1 04-27-20 PEER COMMENTS
NO. DATE REMARKS
REVISIONS



**7-ELEVEN
STORE #41559**

1245 S. VOLUSIA AVENUE
Orlando, FL 32763

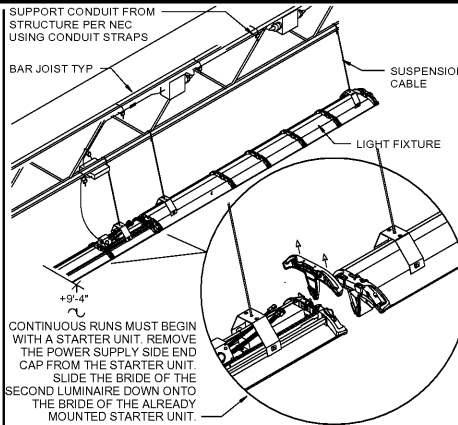
PROJECT NO: 2019.0743
DATE: APRIL 7, 2020

E1.5

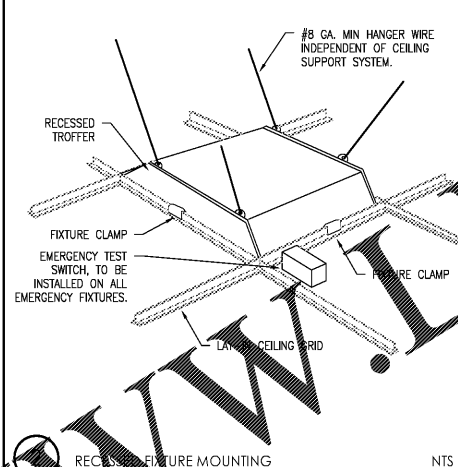
LOW VOLTAGE DETAILS AND
ONE LINE DIAGRAM

CHECKED: — DRAWN: M.M.

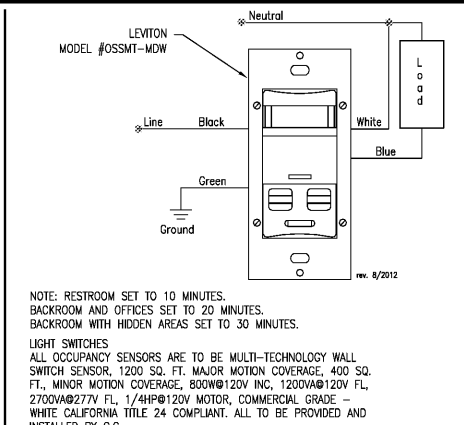
JONLOP - 09/02/2020 3:35:03 PM



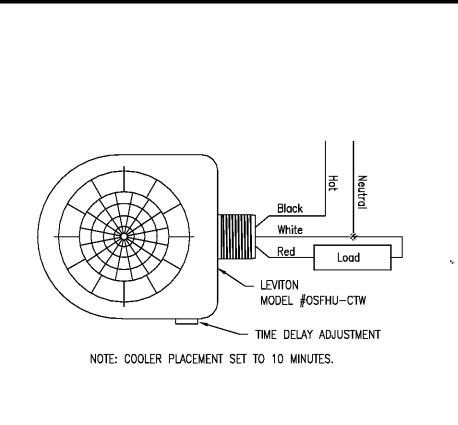
3 TYPICAL SUSPENDED LIGHT FIXTURE MOUNTING NTS



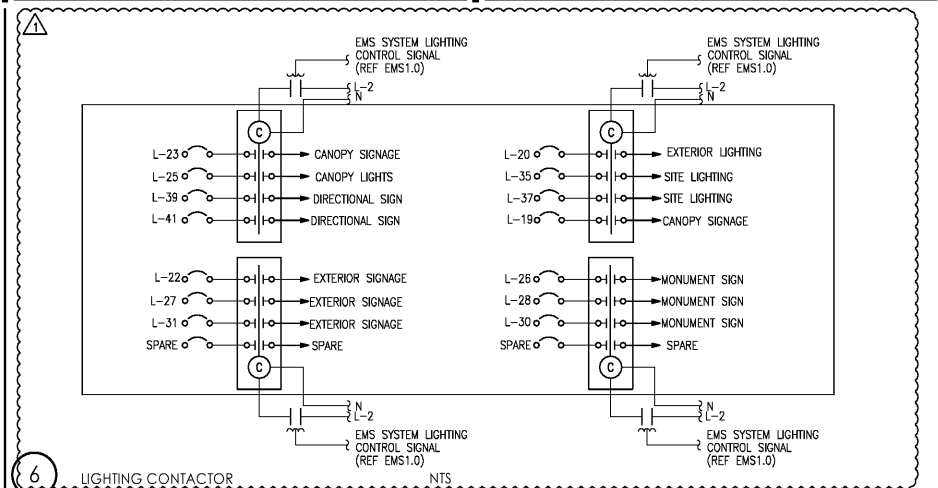
4 RECESSED FIXTURE MOUNTING NTS



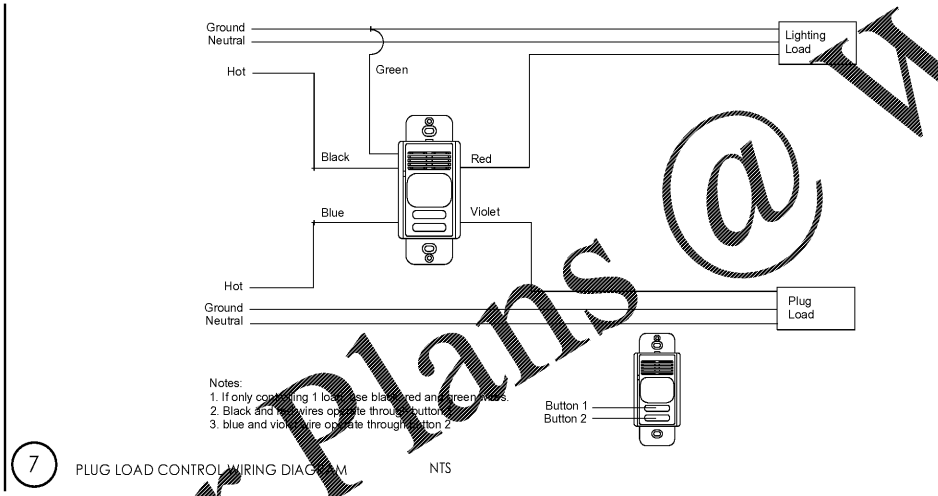
5 "A" OCCUPANCY SENSOR NTS



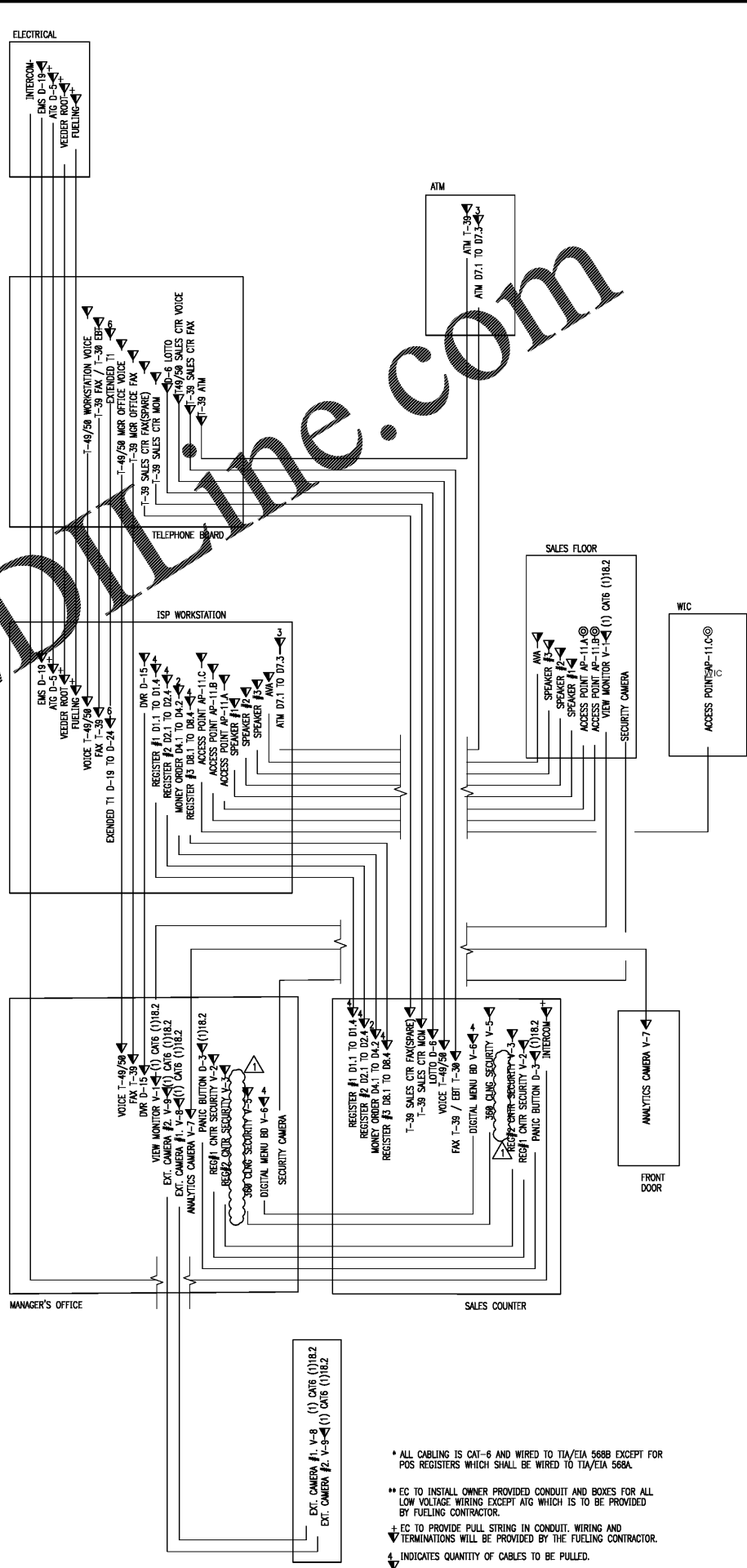
6 "B" OCCUPANCY SENSOR NTS



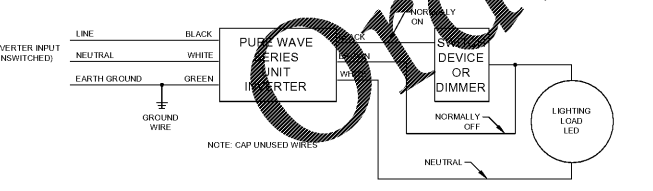
7 LIGHTING CONTACTOR NTS



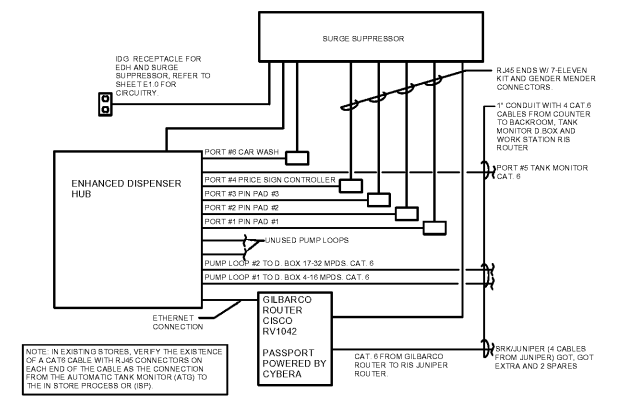
8 PLUG LOAD CONTROL WIRING DIAGRAM NTS



9 LOW VOLTAGE RISER DIAGRAM
1/4" = 1'-0"



9 INVERTER WIRING DIAGRAM NTS



8 ENHANCED DISPENSER HUB (E.D.H.) NTS

P:\7\1\envy\2019\0743 - 7-Eleven - Volusia Ave @ Florida Mall\Arc Change\016 - A1.5 CAD & Drawing\7-Construction Documents\2019\0743 - E1.5.dwg - REVISED DETAILS 09/03/2020 2:48:27 PM - LBP/PLA - ssmc\LD PDF (General Documentation) - RCH1.MXD (6/10/20 - 2:48:18 PM) 11

Order Plans @ WWW.IDLINE.COM