

THIS DOCUMENT IS NOT  
FOR REGULATORY  
APPROVAL, PERMITTING,  
OR CONSTRUCTION.

FOR BIDDING ONLY  
09/03/2020

3 08.28.20 PEER COMMENTS  
1 04.22.20 PEER COMMENTS  
NO DATE REMARKS  
REVISIONS



7-ELEVEN  
STORE #41559  
1245 S. VOLUSIA AVENUE  
Orange City, FL 32763  
PROJECT NO: 2019.0743  
DATE: APRIL 7, 2020

E1.1  
PANEL SCHEDULES AND  
ONE-LINE DIAGRAM  
CHECKED: - DRAWN: M.M.  
JONLOP - 09/02/2020 3:55:02 PM

SQUARE D - SERIES RATING - 65,000 AIC  
MAIN BREAKERS  
SUB PANEL BREAKERS  
BREAKER TYPE  
TYPE  
1-POLE  
2-POLE  
3-POLE

PANEL L  
LOCATION: ELEC RM  
VOLTAGE: 208Y/120V  
TRIM: SURFACE  
MAIN: 225A MLO  
SYSTEM: 3# 4W  
BUS RATING: 225A  
CONN. LOAD: 39.5 KVA  
FEED: TOP  
GROUND BUS: YES  
ISOLATED GROUND BUS: YES

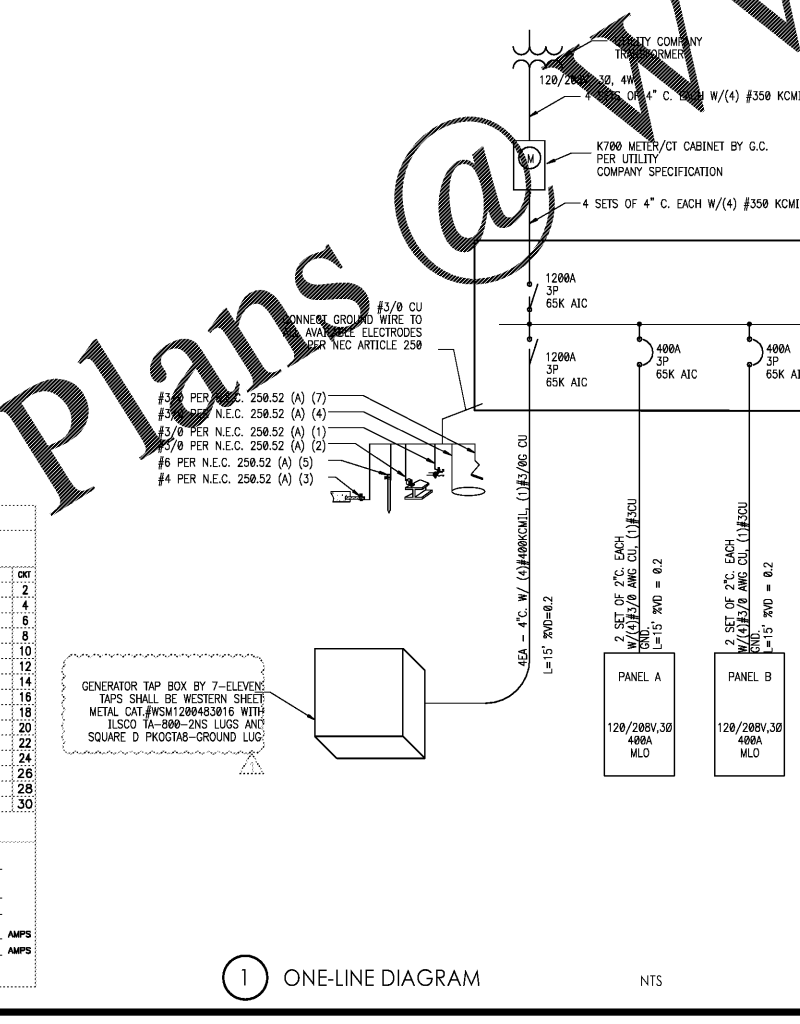
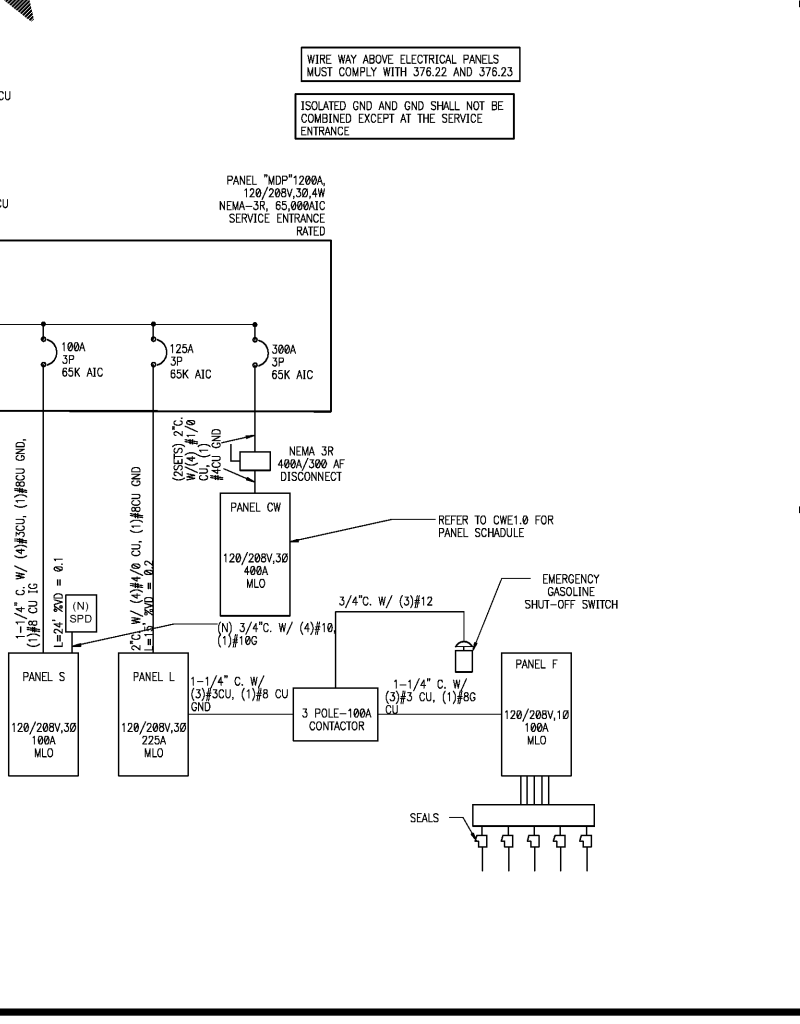
PANEL S  
LOCATION: ELEC RM  
VOLTAGE: 208Y/120V  
TRIM: SURFACE  
MAIN: 100A MLO  
SYSTEM: 3# 4W  
BUS RATING: 100A  
CONN. LOAD: 8.9 KVA  
FEED: TOP  
GROUND BUS: YES  
ISOLATED GROUND BUS: YES

PANEL A  
LOCATION: ELEC RM  
VOLTAGE: 208Y/120V  
TRIM: SURFACE  
MAIN: 400A MLO  
SYSTEM: 3# 4W  
BUS RATING: 400A  
CONN. LOAD: 97.7 KVA  
FEED: TOP  
GROUND BUS: YES  
ISOLATED GROUND BUS: YES

PANEL L  
LOADS (IN VA) CONNECTED DEMAND MINIMUM FEEDER LOADS  
LIGHTING 20390 1.25 25488  
RECEPTS TO 10 KVA 1630 1.0 1630  
RECEPTS REMAINING 0 0.5 0  
SPACE HEATING 0 0.0 0  
AIR CONDITIONING 0 1.0 0

NEW PANEL MDP  
LOCATION: EXTERIOR  
VOLTAGE: 208Y/120V  
TRIM: SURFACE  
MAIN: 1200A MLO  
SYSTEM: 3# 4W  
BUS RATING: 1200A  
CONN. LOAD: 233.8 KVA  
FEED: TOP  
GROUND BUS: YES  
ISOLATED GROUND BUS: YES

PANEL B  
LOCATION: ELEC RM  
VOLTAGE: 208Y/120V  
TRIM: SURFACE  
MAIN: 400A MLO  
SYSTEM: 3# 4W  
BUS RATING: 400A  
CONN. LOAD: 87.8 KVA  
FEED: TOP  
GROUND BUS: YES  
ISOLATED GROUND BUS: YES



PANEL F  
LOCATION: ELEC RM  
VOLTAGE: 120/208V  
TRIM: SURFACE  
MAIN: 100A MLO  
SYSTEM: 1# 3W  
BUS RATING: 100A  
CONN. LOAD: 17.5 KVA  
FEED: TOP  
GROUND BUS: YES  
ISOLATED GROUND BUS: YES

Order Plans @ WWW.ONLINE.com

ONE-LINE DIAGRAM