

### WATER ROUGH-IN HEIGHTS

MARK	SERVICE	SIZE	HEIGHT (AFF)
WC	COLD WATER	1/2"	10"
LAV	HOT & COLD WATER	1/2"	22"
UR	COLD WATER	1/2"	46"
MS	HOT & COLD WATER	1/2"	36"
S1	HOT & COLD WATER	1/2"	18"
S2	HOT & COLD WATER	1/2"	18"
S3	HOT & COLD WATER	1/2"	24"
HB	COLD WATER	1/2"	24"

NOTES:  
A. FIELD VERIFY ROUGH-IN REQUIREMENTS PER MANUFACTURER'S RECOMMENDATIONS.

### PUMP SCHEDULE

MARK	MANUFACTURER	MODEL	HEAD (FT)	V/PH	NOTES
PI	BELL & GOSSETT	NBF-9U/LW	11 @ 5 GPM	120/1	A-D

NOTES:  
A. LEAD FREE CONSTRUCTION.  
B. PROVIDE WITH ADS-3/4 ADJUSTER.  
C. PROVIDE WITH FLEXIBLE PLUG-IN CORD.  
D. INSTALL PER MANUFACTURER'S RECOMMENDATIONS.

1 WATER PIPING PLAN  
1/4" = 1'-0"  
NORTH

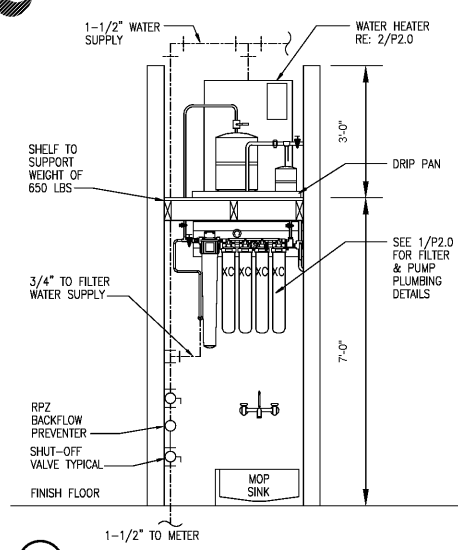
### WATER HEATER SCHEDULE

MARK	MANUF.	MODEL	TANK SIZE	V/PH	NOTES
WH	RHEEM	ESS2	47	9	208/1 A, B, C

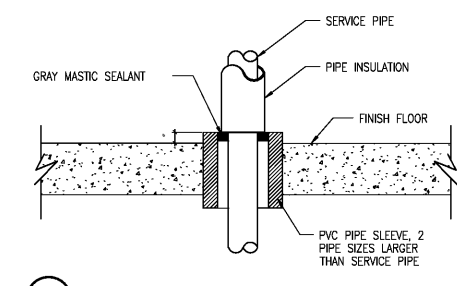
GENERAL INFORMATION (ALL UNITS):  
1. 115 DEG. WATER TEMPERATURE.  
NOTES:  
A. PROVIDE (MINIMUM) 100% EXPANSION TANK AND DRAIN PAN SIZED PER MANUFACTURER'S RECOMMENDATIONS.  
B. MOUNT WATER HEATER ON SUPPORT PLATFORM, REF. 2/P2.0.  
C. TESTED FOR SIMULTANEOUS OPERATION.

### BACKFLOW PREVENTER SCHEDULE

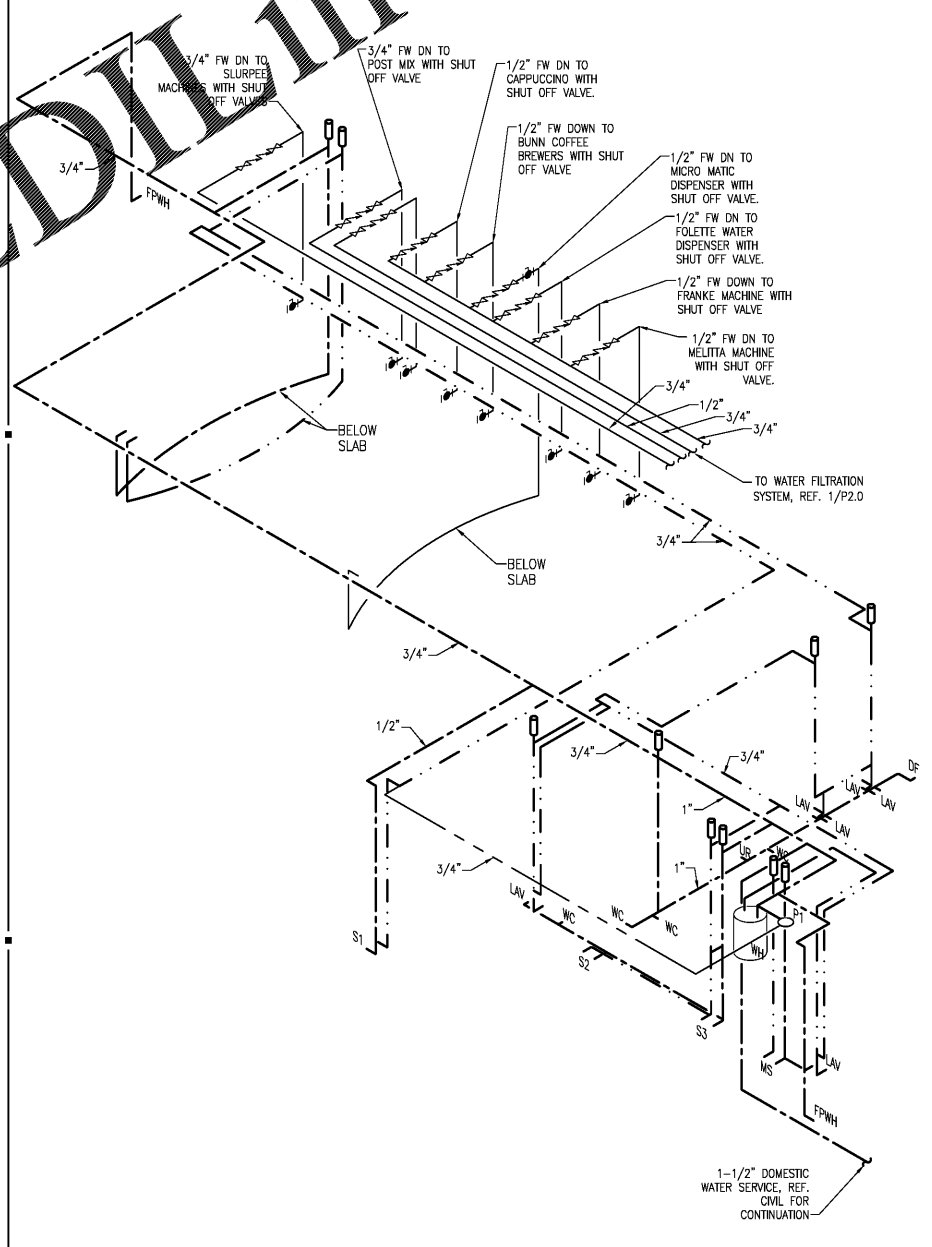
EQUIPMENTS	BACKFLOW PREVENTER MODEL NUMBER
ICE MACHINE	ASSE 1022
SODA MACHINE	ASSE 1022
CAPPUCCINO MACHINE	ASSE 1022
SLURPEE MACHINE	ASSE 1022



4 PLUMBING CONNECTION DETAIL NTS



3 PIPE SLEEVE DETAIL NTS



2 WATER RISER NTS

**INTERPLAN**  
ARCHITECTURE  
ENGINEERING  
INTERIOR DESIGN  
PROJECT MANAGEMENT

AR0011595  
CA 8660

604 COURTLAND STREET  
SUITE 100  
ORLANDO, FLORIDA 32804  
PH 407.645.5008  
FX 407.629.9124

THIS DOCUMENT IS NOT FOR REGULATORY APPROVAL, PERMITTING, OR CONSTRUCTION.

FOR BIDDING ONLY  
09/03/2020

NO. DATE REMARKS  
REVISIONS



7-ELEVEN  
STORE #41559

1245 S. VOLUSIA AVENUE  
Orlando City, FL 32763

PROJECT NO: 2019.0743  
DATE: APRIL 7, 2020

P1.1  
PLUMBING WATER PLAN

CHECKED: JL DRAWN: ROH  
JONLOP - 09/02/2020 3:35:02 PM

P:\17\17092019\0101 - P1.1.dwg - Volusia Ave 7-Eleven - 7-Eleven - Volusia Ave 7-Eleven.dwg - Change 016 - 4/13/2020 10:28:41 AM - User: JLD - Project: 2019.0743 - 24/08/2020 11:51