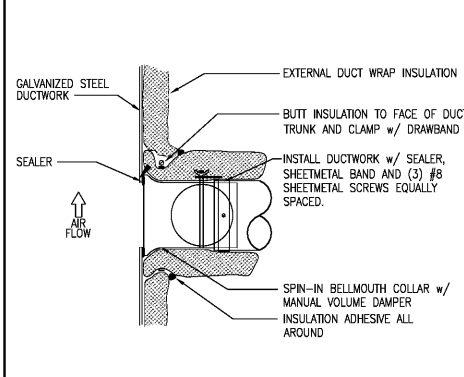
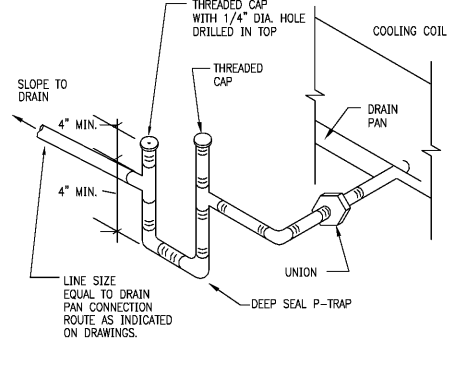


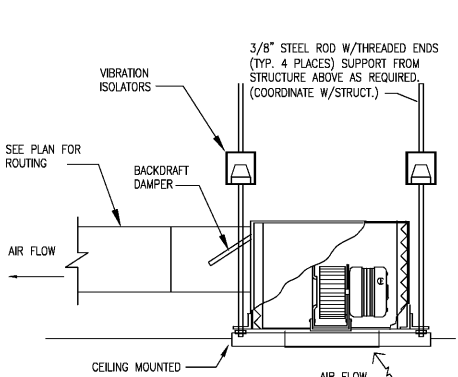
1 EXHAUST VENT THRU ROOF NTS



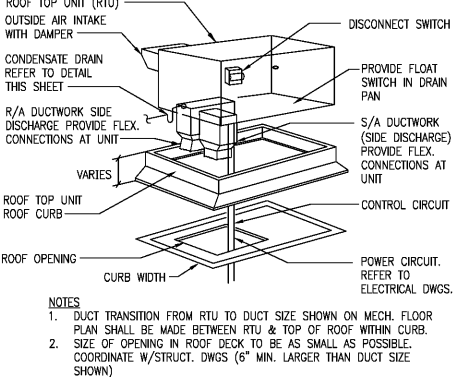
2 CONNECTION DUCT FITTING DETAIL NTS



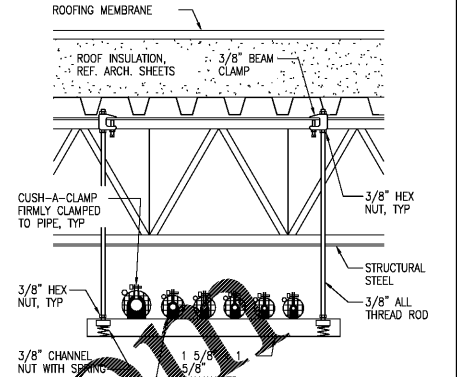
3 CONDENSATE P-TRAP DETAIL NTS



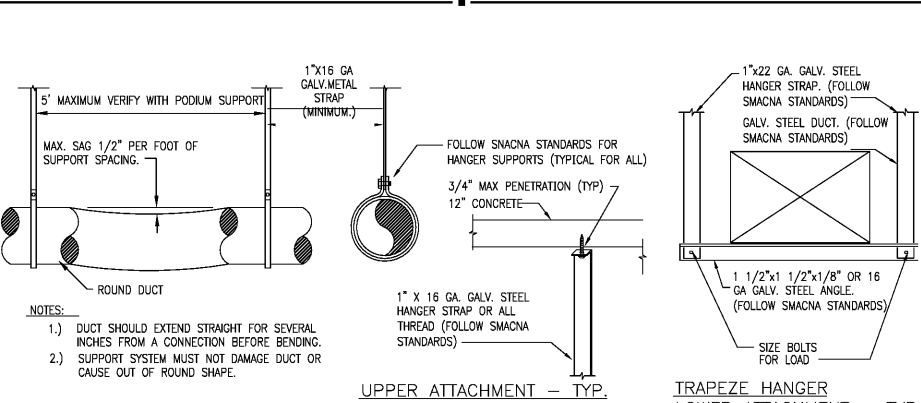
4 CABINET EXHAUST FAN DETAIL NTS



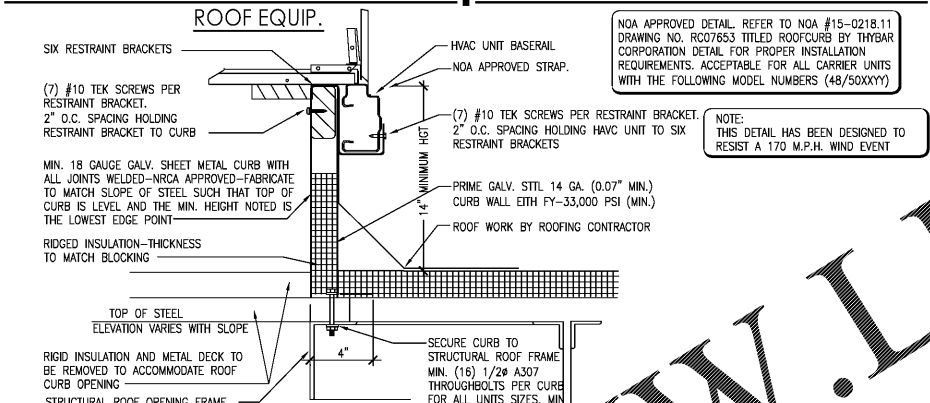
5 ROOF TOP UNIT MOUNTING DETAIL NTS



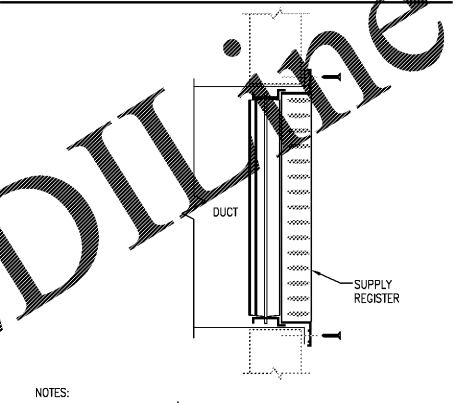
6 REFRIGERANT LINE SUPPORT NTS



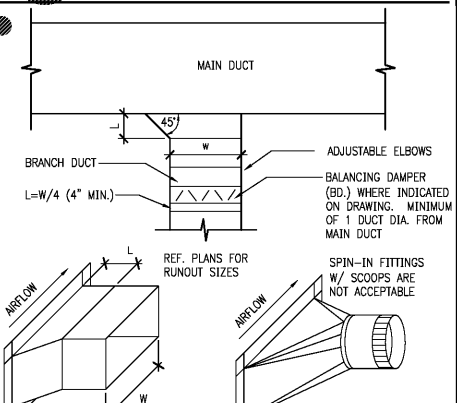
7 TYPICAL DUCT HANGING DETAIL NTS



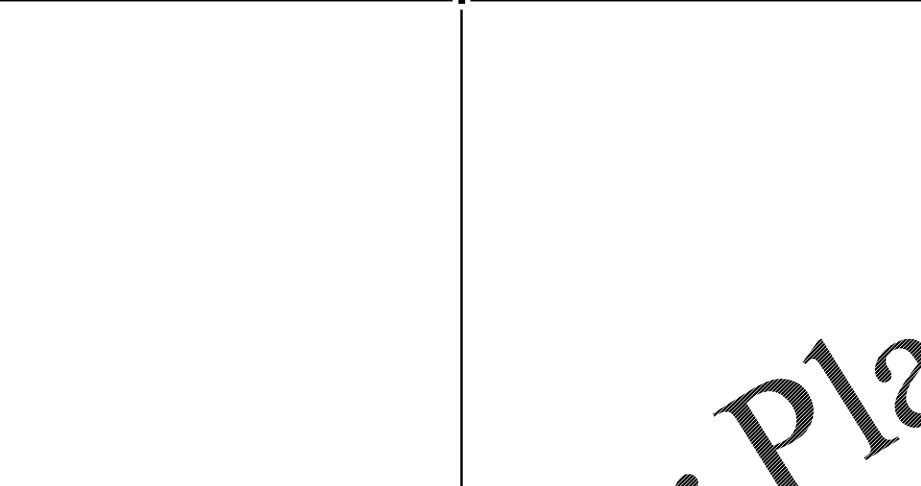
8 TYPICAL EQUIPMENT WITH HURRICANE TIE DOWN DETAIL (NOA APPROVED) NTS



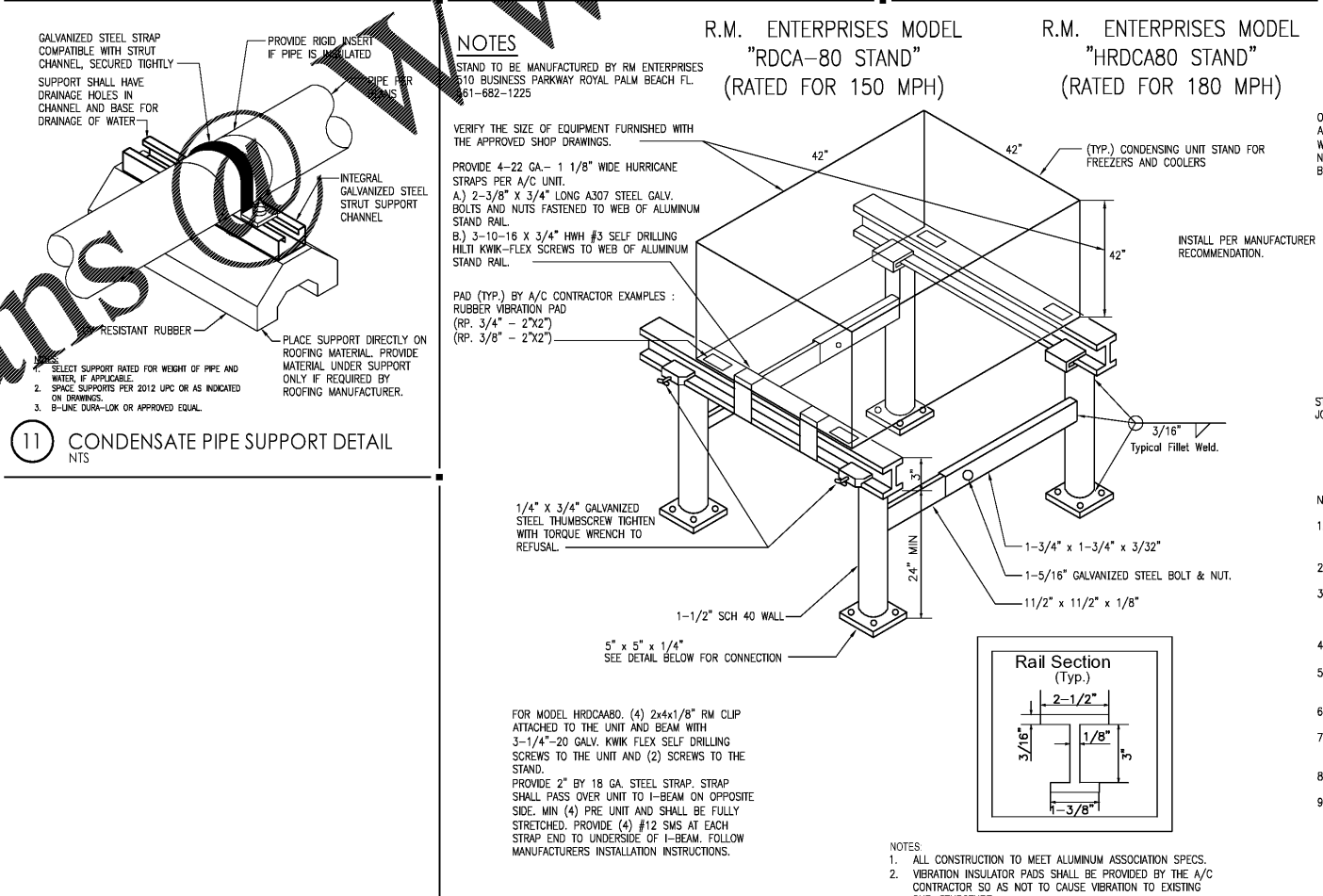
9 SIDEWALL SUPPLY REGISTER DETAIL NTS



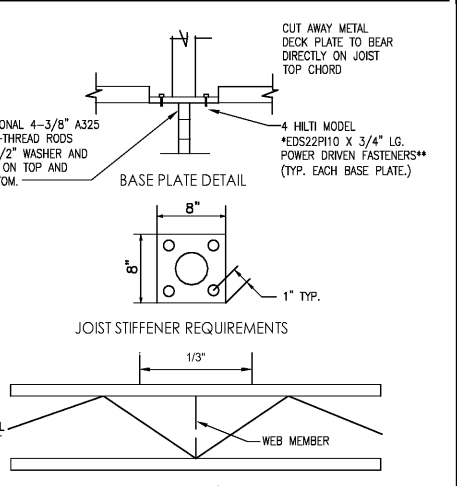
10 RECTANGULAR BRANCH CONNECT NTS



11 CONDENSATE PIPE SUPPORT DETAIL NTS



12 REFRIGERATION SYSTEM FRAMING SUPPORT NTS



13 TYPICAL MOUNTING CONNECTION TO STEEL JOIST DETAIL NTS

INTERPLAN
ARCHITECTURE
ENGINEERING
INTERIOR DESIGN
PROJECT MANAGEMENT
AR0011595
CA 8660
604 COURTLAND STREET
SUITE 100
ORLANDO, FLORIDA 32804
PH 407.645.5008
FX 407.629.9124
SEAL:
THIS DOCUMENT IS NOT FOR REGULATORY APPROVAL, PERMITTING, OR CONSTRUCTION.

FOR BIDDING ONLY
09/03/2020

NO DATE REMARKS
REVISIONS
7-ELEVEN
STORE #41559
1245 S. VOLUSIA AVENUE
Orlando City, FL 32763
PROJECT NO: 2019.0743
DATE: APRIL 7, 2020
M3.0
MECHANICAL DETAILS
CHECKED: JL DRAWN: JR
COPYRIGHT © 2020 INTERPLAN LLC. ALL RIGHTS RESERVED. THIS DOCUMENT IS THE ORIGINAL. ANY REPRODUCTION, CHANGE OF ASSIGNMENT ARE PROHIBITED.
JONLOP - 09/02/2020 3:35:01 PM

P:\17\17092019\010 - 7-Eleven - Volusia Ave @ Florida Mall\AEC - Change City - A13 CAD & Drawings\Construction Documents\20190709_1302.dwg - BECHTOLD DETAIL 015 10/20/2020 2:42:14 PM B:\RUCS\AEC\A13\DWG\A13\A13.dwg (General Documents)\p.c. - JPH1 Mill head (L) (AEC) - 2/20/2019 11:11

Order Plans @

WWW.LDILLINE.COM