

SEAL:

THIS DOCUMENT IS NOT
FOR REGULATORY
APPROVAL, PERMITTING,
OR CONSTRUCTION.

FOR BIDDING ONLY
09/03/2020

NO. DATE REMARKS
REVISIONS



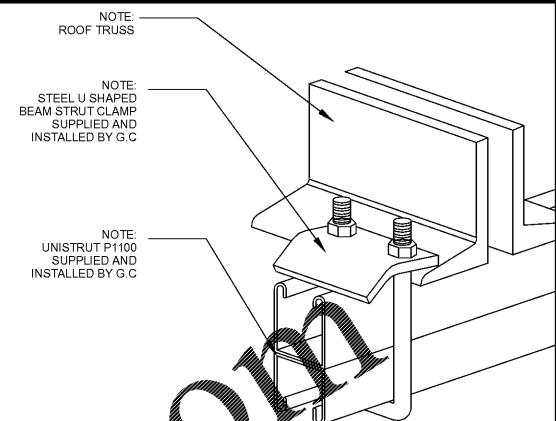
7-ELEVEN
STORE #41559

1245 S. VOLUSIA AVENUE
Orlando City, FL 32763

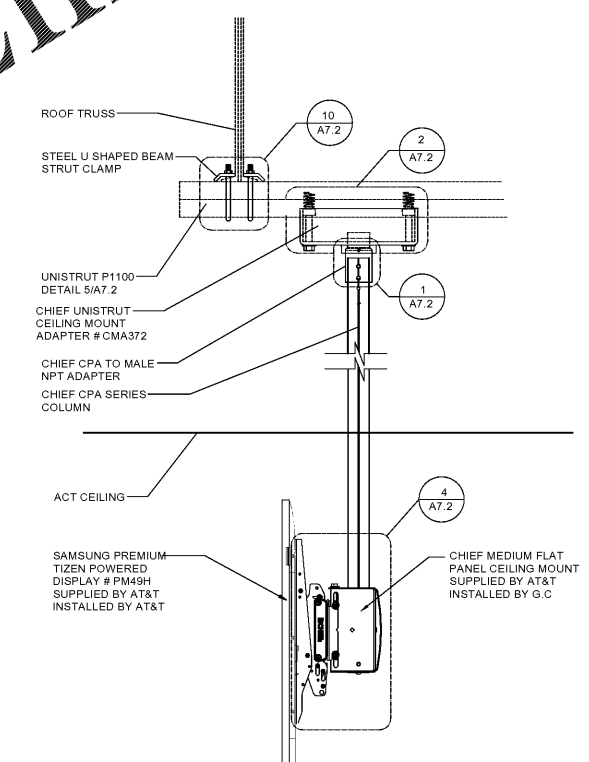
PROJECT NO: 2019.0743
DATE: APRIL 7, 2020

A7.2
DIGITAL MENU BOARDS
DETAILS

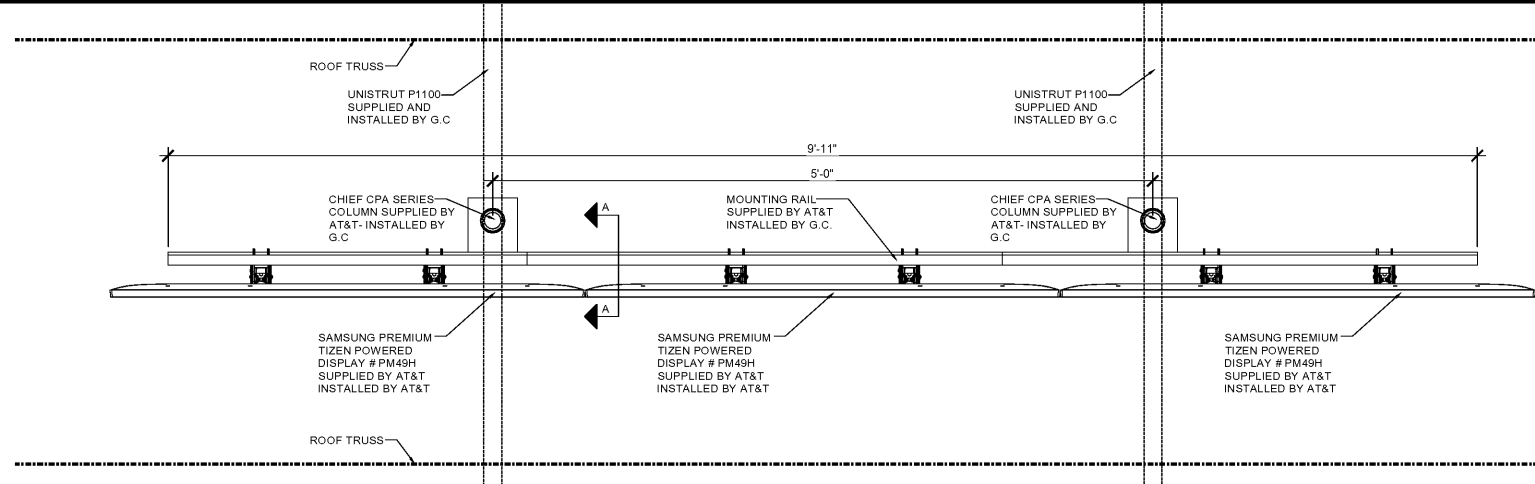
CHECKED: RW DRAWN: JM



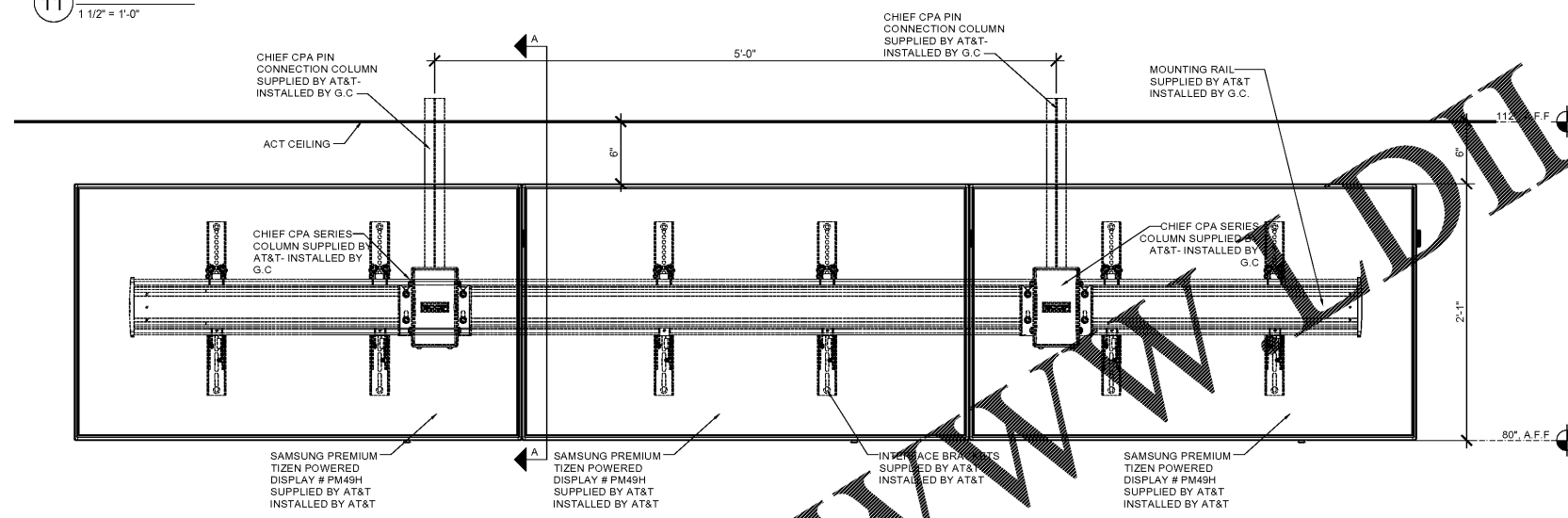
10 TRUSS AND UNISTRUT CONNECTION DETAIL
N.T.S.



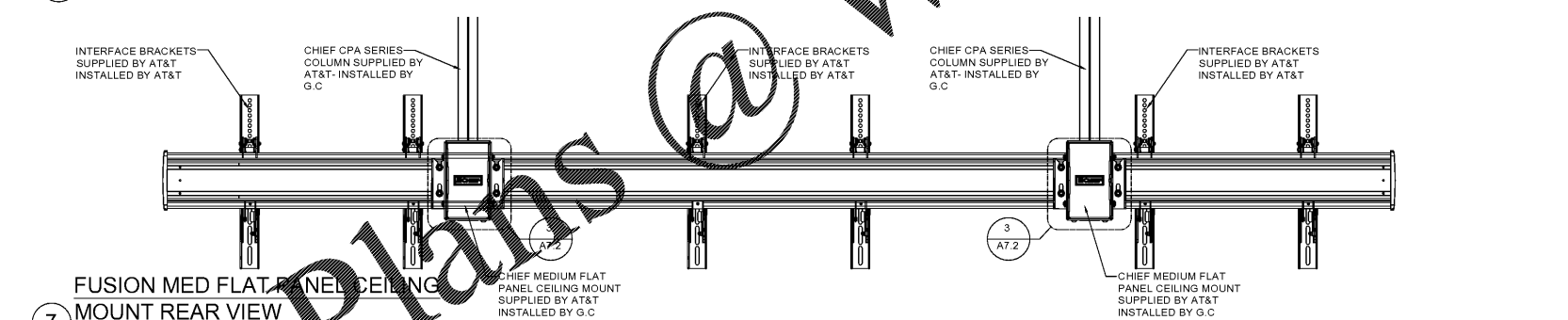
6 SECTION AA
1 1/2" = 1'-0"



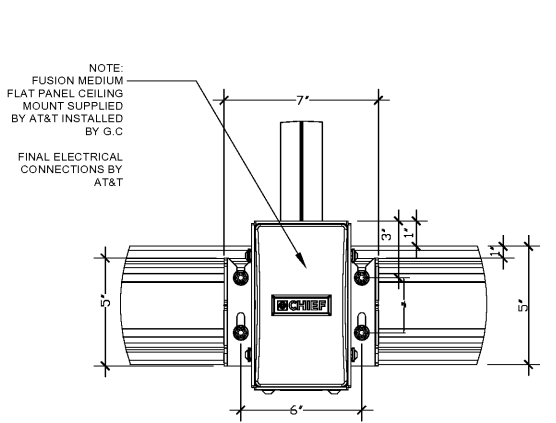
11 PLAN VIEW
1 1/2" = 1'-0"



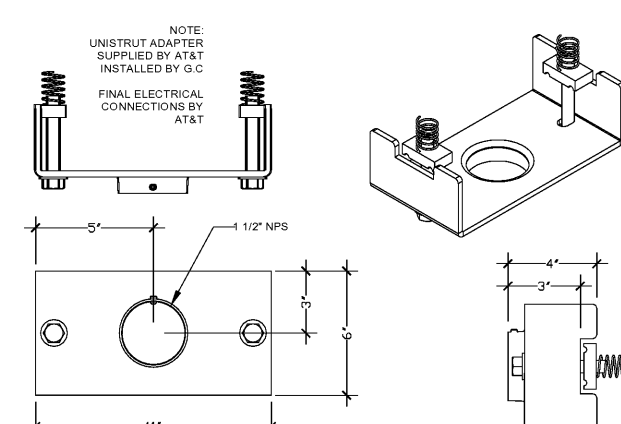
9 FRONT VIEW
1 1/2" = 1'-0"



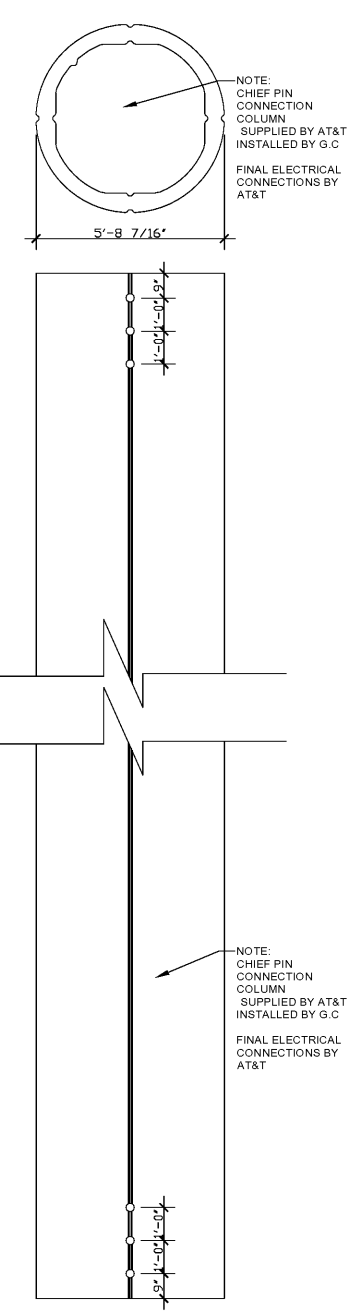
7 FUSION MED FLAT PANEL CEILING MOUNT REAR VIEW
1 1/2" = 1'-0"



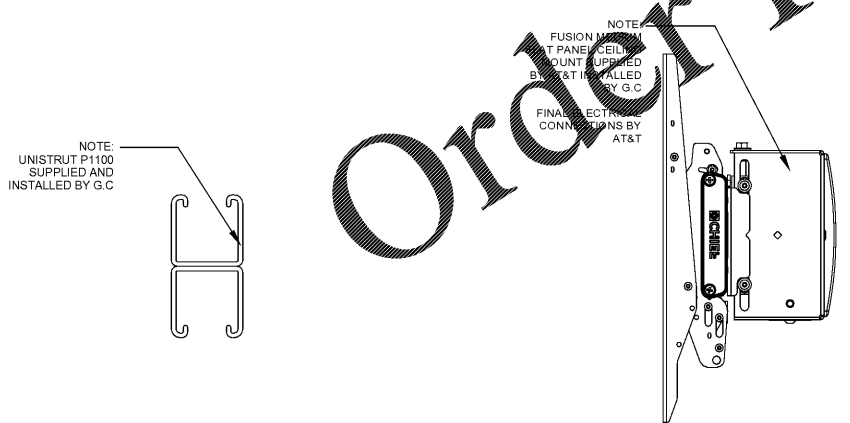
3 PNL CEILING MOUNT REAR ELEVATION
3" = 1'-0"



2 UNISTRUT ADAPTED DETAIL
3" = 1'-0"



8 PIN CONNECTION COLUMN
3/8" = 1'-0"



4 SIDE ELEVATION
3" = 1'-0"

5 UNISTRUT # P1100
6" = 1'-0"

Order Plans @ WWW.DIline.com

WWW.DIline.com